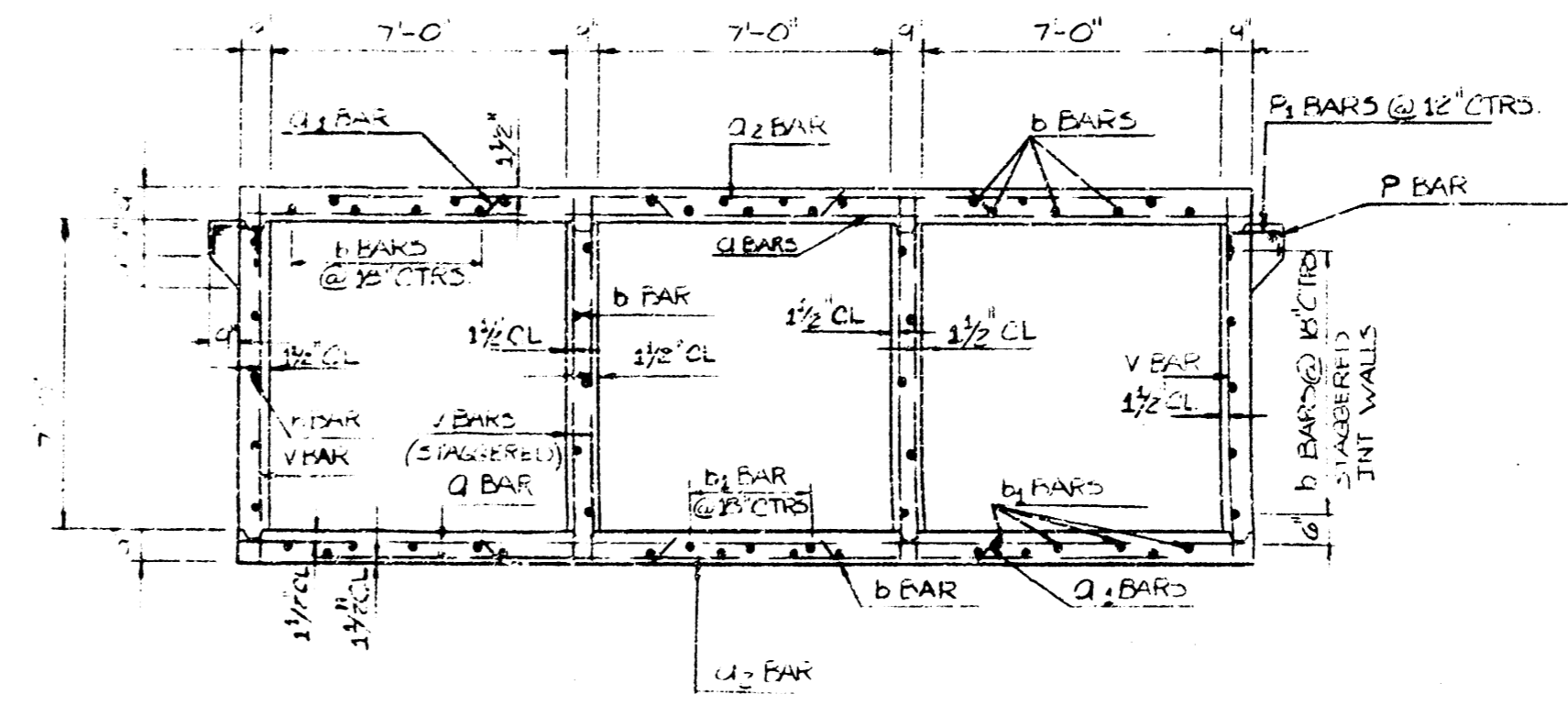
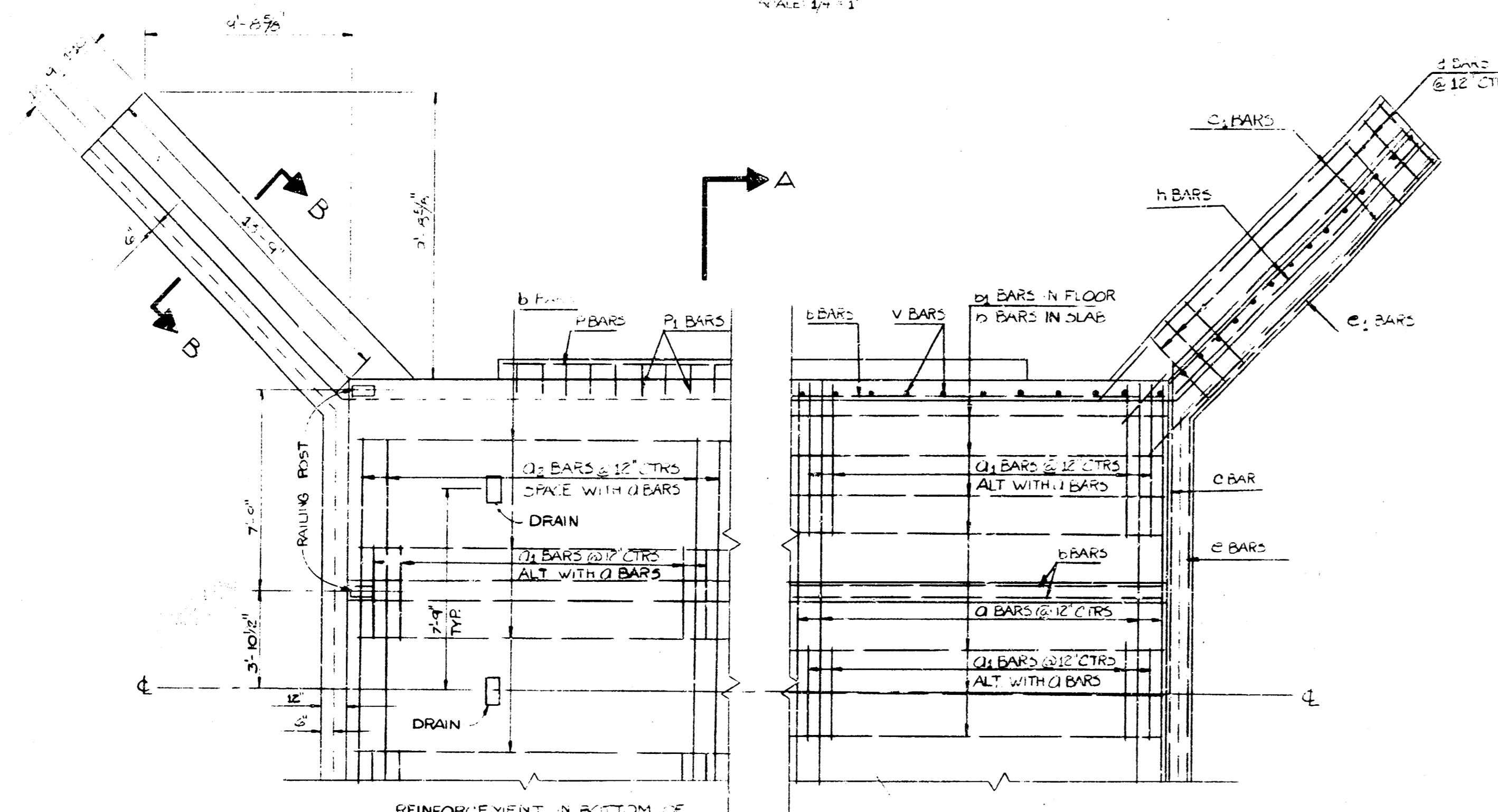


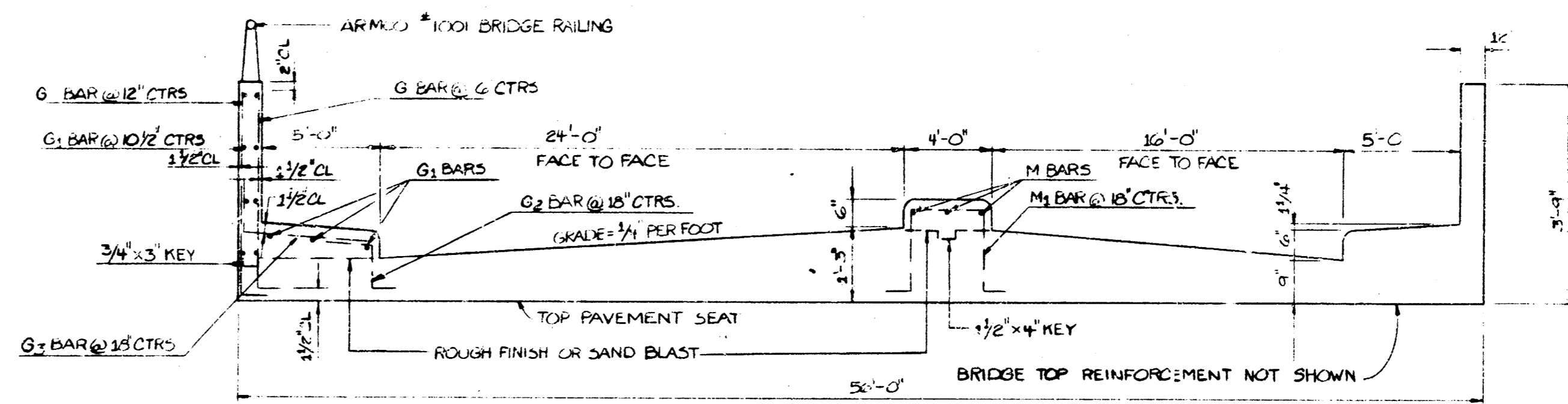
ELEVATION & SECTION
SCALE 1/4" = 1'



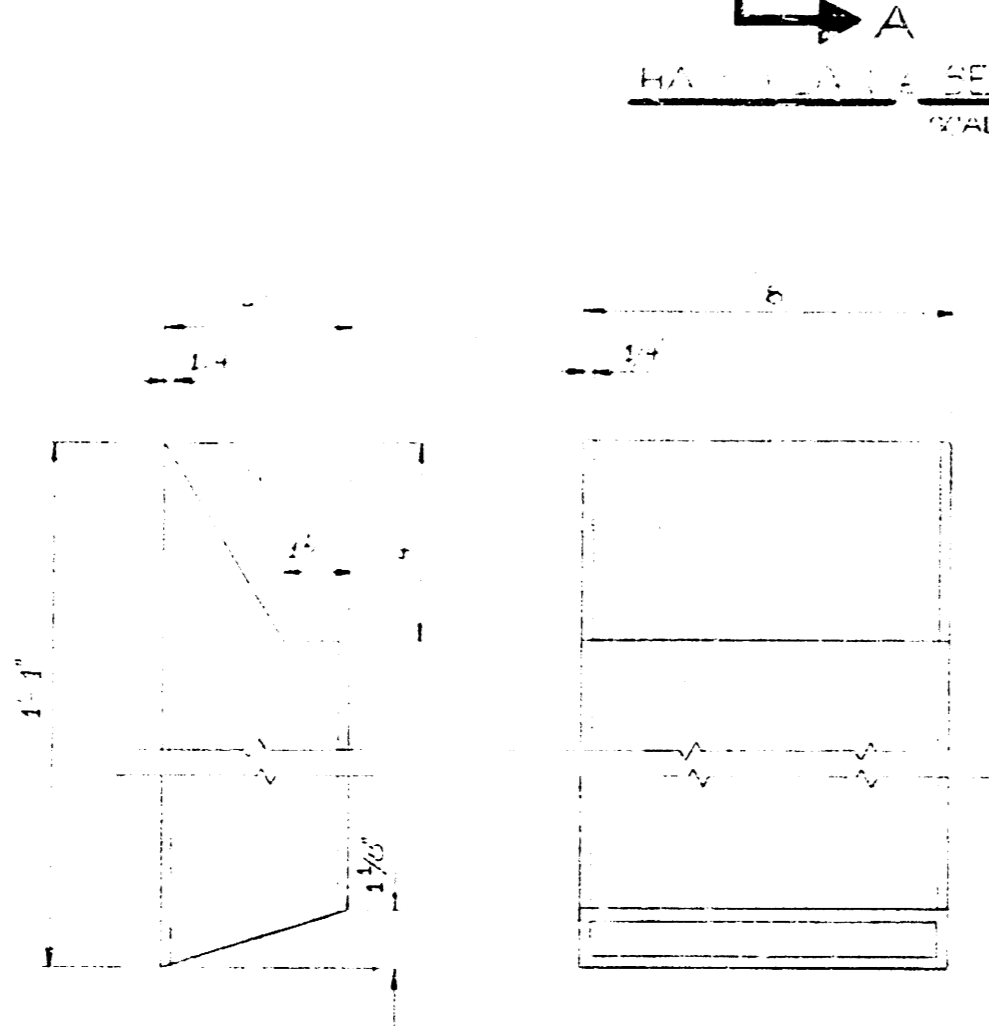
SECTION A-A
SCALE 1/4" = 1'



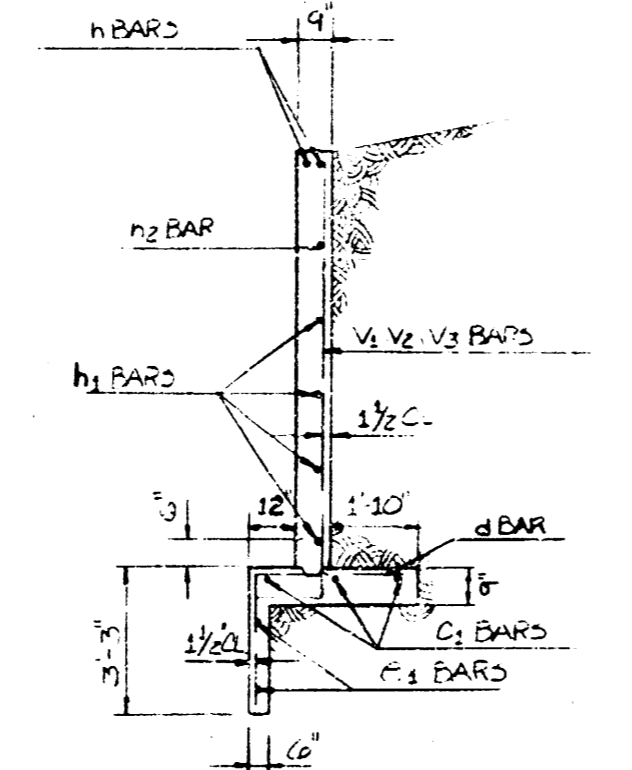
REINFORCEMENT IN BOTTOM OF FLOOR AND TOP OF SLAB
REINFORCEMENT IN TOP OF FLOOR AND BOTTOM OF SLAB
SCALE 1/4" = 1'



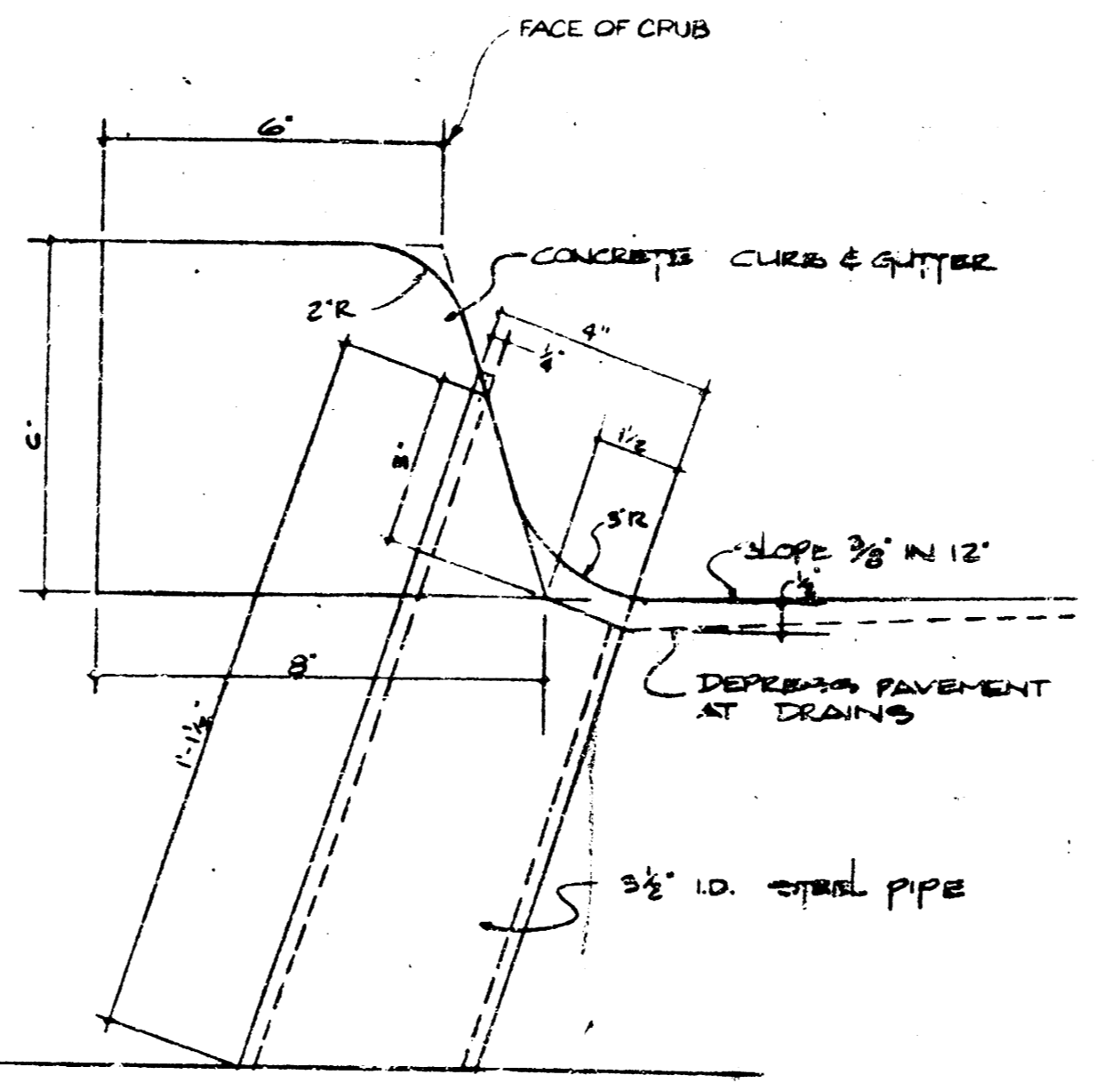
CROWN DETAIL
SCALE 1/4" = 1' VERT.



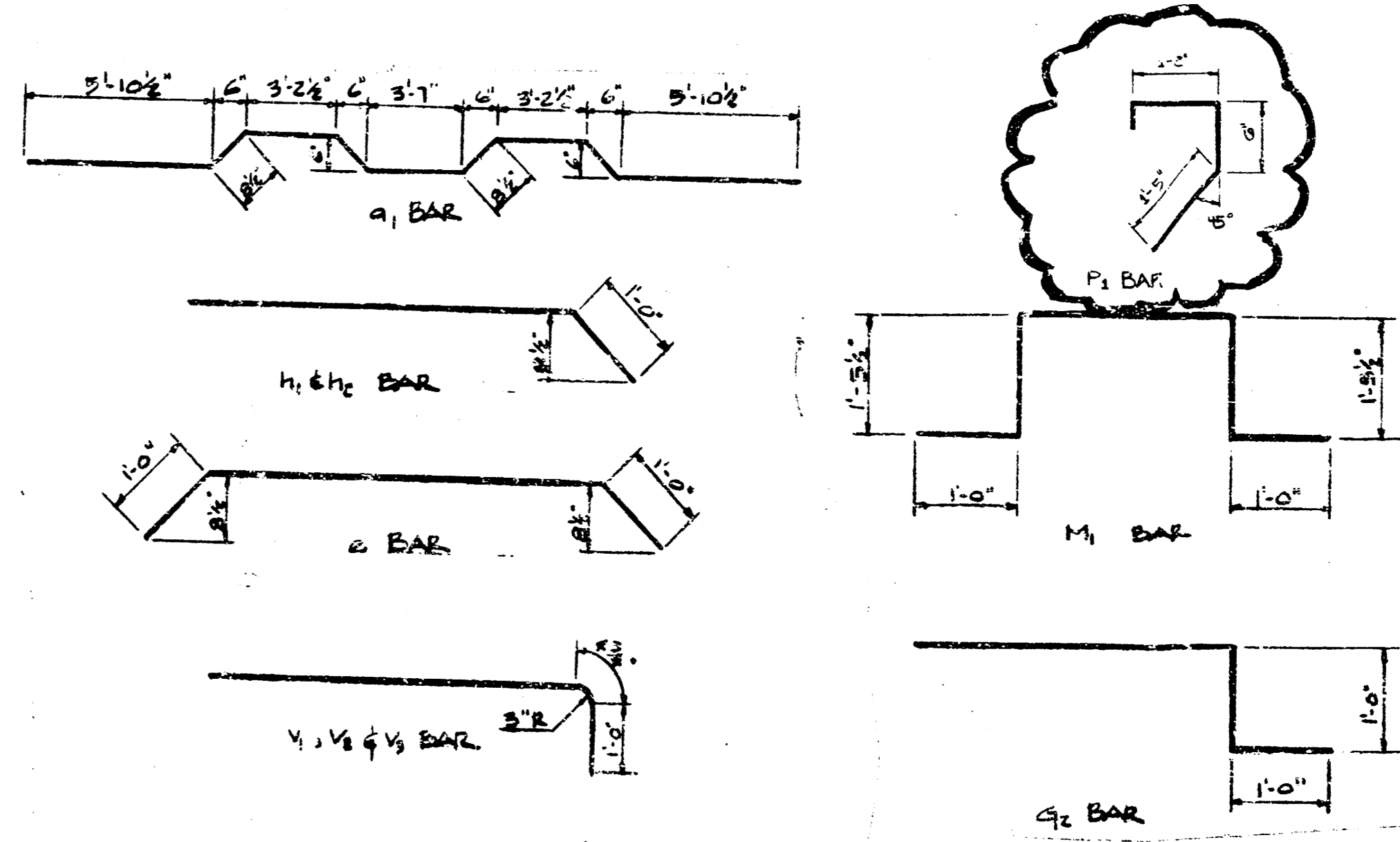
CAST IRON DRAIN DETAIL
SCALE 3/4" = 1'



SECTION B-B
SCALE 1/4" = 1'



CURB DRAIN DETAIL
SCALE 1/4" = 1'



BENDING DIAGRAMS

BAR LIST

BAR	A	B	C	D	E	F	G	H	I	J	K	L	M	N	O	P	Q	R	S
NUMBER	11	12	13	14	15	16	17	18	19	20	21	22	23	24	25	26	27	28	29
SIZE	#5	#5	#5	#5	#5	#5	#5	#5	#5	#5	#5	#5	#5	#5	#5	#5	#5	#5	#5
LENGTH	23'-0"	24'-7"	25'-0"	25'-10"	26'-7"	27'-0"	27'-10"	28'-0"	28'-10"	29'-0"	29'-10"	30'-0"	30'-10"	31'-0"	31'-10"	32'-0"	32'-10"	33'-0"	33'-10"

BAR	V	W	X	Y	Z	AA	AB	AC	AD	AE	AF	AG	AH	AI	AJ	AK	AL	AM	AN	AO
NUMBER	30	31	32	33	34	35	36	37	38	39	40	41	42	43	44	45	46	47	48	49
SIZE	#5	#5	#5	#5	#5	#5	#5	#5	#5	#5	#5	#5	#5	#5	#5	#5	#5	#5	#5	#5
LENGTH	23'-0"	24'-7"	25'-0"	25'-10"	26'-7"	27'-0"	27'-10"	28'-0"	28'-10"	29'-0"	29'-10"	30'-0"	30'-10"	31'-0"	31'-10"	32'-0"	32'-10"	33'-0"	33'-10"	34'-0"

- NOTES:
1. ALL BRIDGE CONSTRUCTION SHALL CONFORM TO THE LATEST EDITION OF THE STANDARD SPECIFICATIONS OF THE KANSAS DEPARTMENT OF TRANSPORTATION.
 2. UNIT STRESS: F'C = 3000 P.S.I.; FC = 1200 P.S.I.; FS = 20000 P.S.I.
 3. CLASS A AIR ENTRAINED CONCRETE SHALL BE USED THROUGHOUT.
 4. BEVEL ALL EXPOSED EDGES WITH 3/4 INCH TRIANGULAR MOUNDING, UNLESS OTHERWISE NOTED.
 5. ALL DIMENSIONS RELATIVE TO REINFORCING STEEL ARE TO CENTER OF BAR UNLESS OTHERWISE NOTED.
 6. COARSE AGGREGATE SHALL BE DEPOSITED BEHIND EACH WEEP HOLE TO OCCUPY A SPACE EXTENDING 15 INCHES IN ALL DIRECTIONS ABOVE THE WEEP HOLE FLOW LINE.

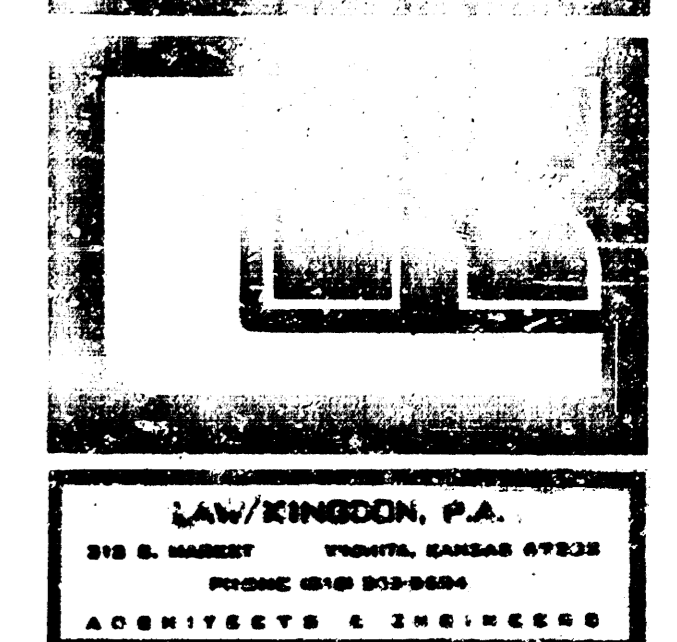
PRINTS ISSUED

DATE	PURPOSE	NO.
8-1-77	For Construction	25

FOR CONSTRUCTION 9-10-77

REVISIONS

DATE	ITEM	NO.
1/4/77	FOR CITY APPROVAL	1



City of Wichita, Kansas, MA

RELATED DRAWINGS

DRAWN	CHECKED
JA	RDF

TARGET EAST
Wichita, Kansas
PROJECT NUMBER 708

BRIDGE DETAILS

TENANT NUMBER	SHEET TITLE	SHEET NUMBER
	SA-4	1 OF 15 SHEETS

FILMED FROM THE BEST

