

STANDARD MANHOLE TYPE "A"

STANDARD MANHOLE TYPE "B"

DROP MANHOLE TYPE "A"

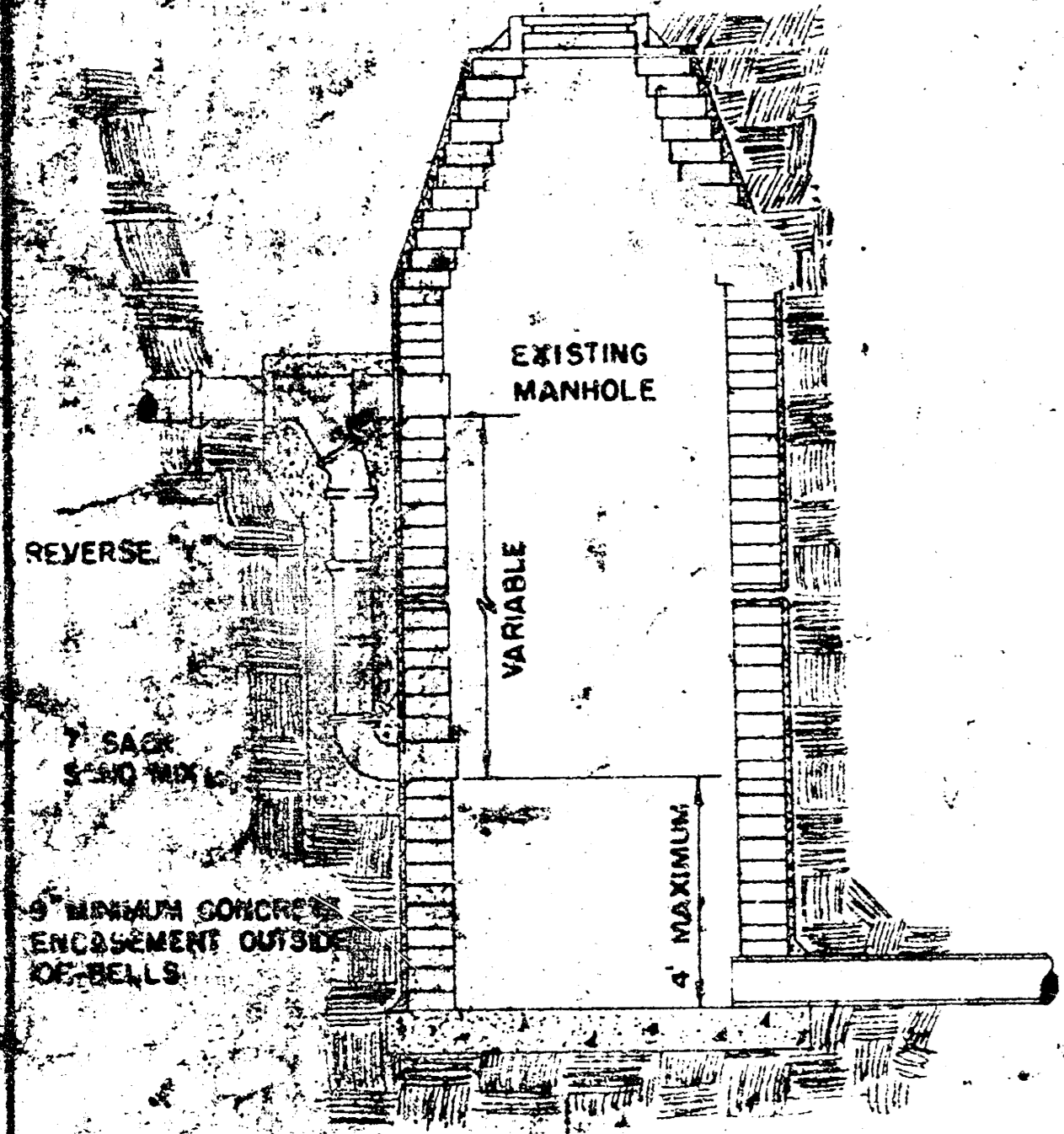
DROP MANHOLE TYPE "B"

OUTSIDE DROP MANHOLE TYPE "A"

OUTSIDE DROP MANHOLE TYPE "B"

DRAW = 6' ON 5' DIA. M.H.

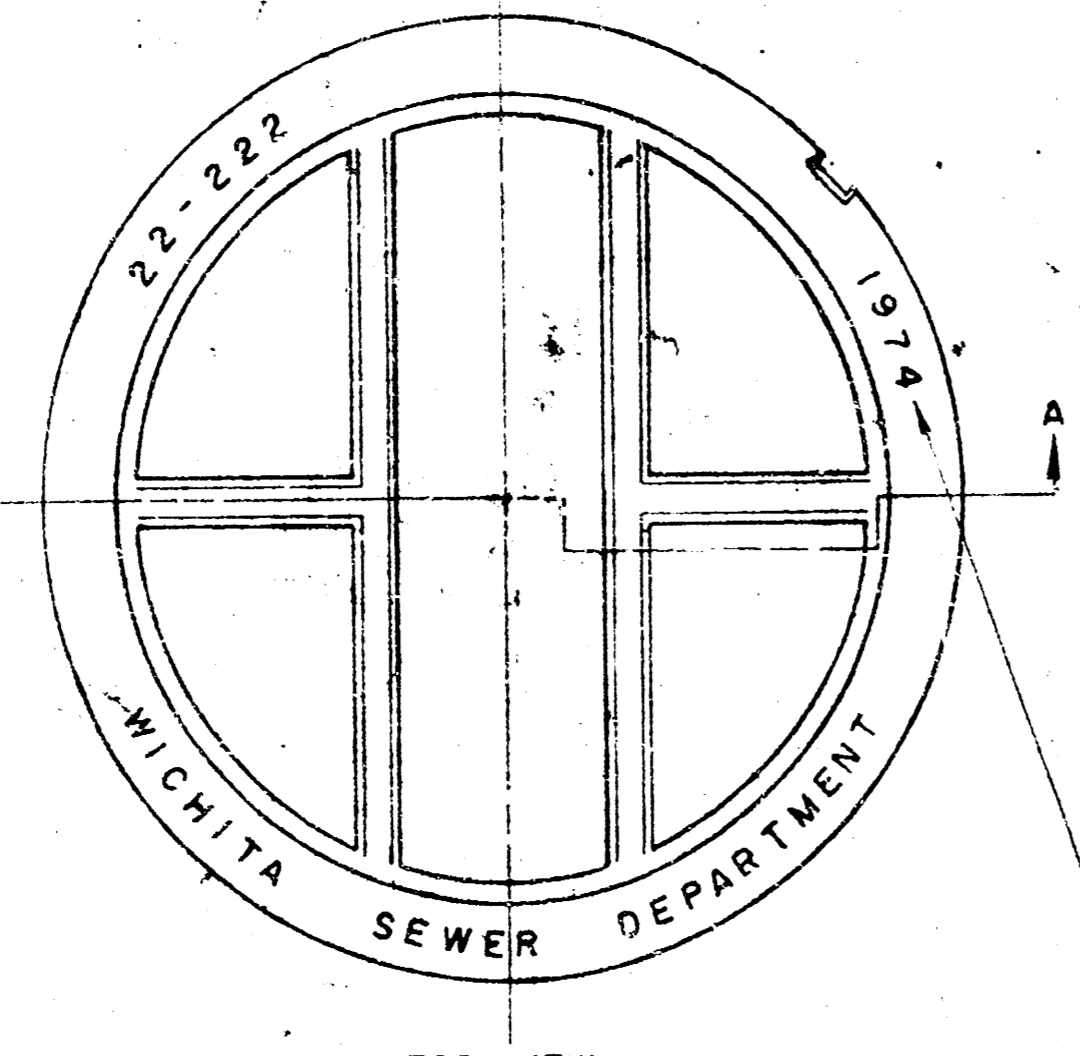
NOTE: REINFORCING STEEL SHALL BE INSTALLED IN THE MANHOLE BASES 6" ABOVE THE BOTTOM. REINFORCING STEEL SHALL CONSIST OF NO. 4 BARS PLACED ON 6" CENTERS IN BOTH DIRECTIONS. THE COST OF REINFORCING STEEL IS TO BE INCLUDED IN THE PRICE BID FOR THE MANHOLE.



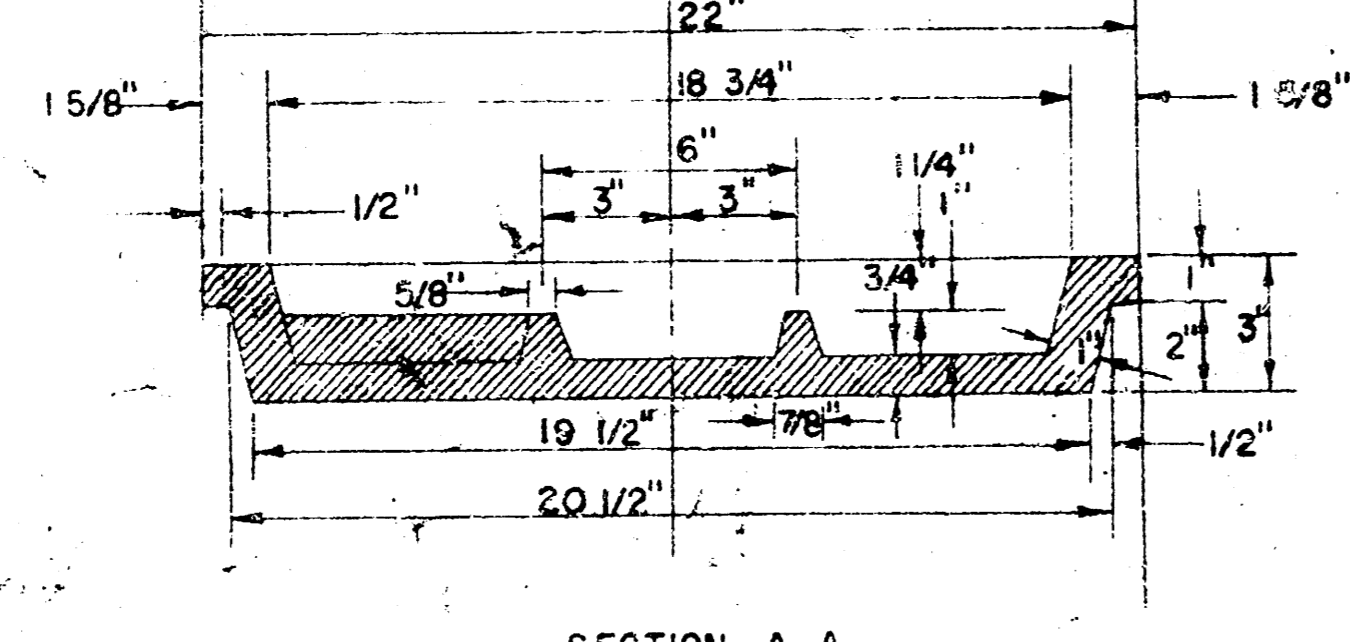
DETAIL OF DROP STACK FOR EXISTING MANHOLES IN GROUND WATER

GENERAL NOTES

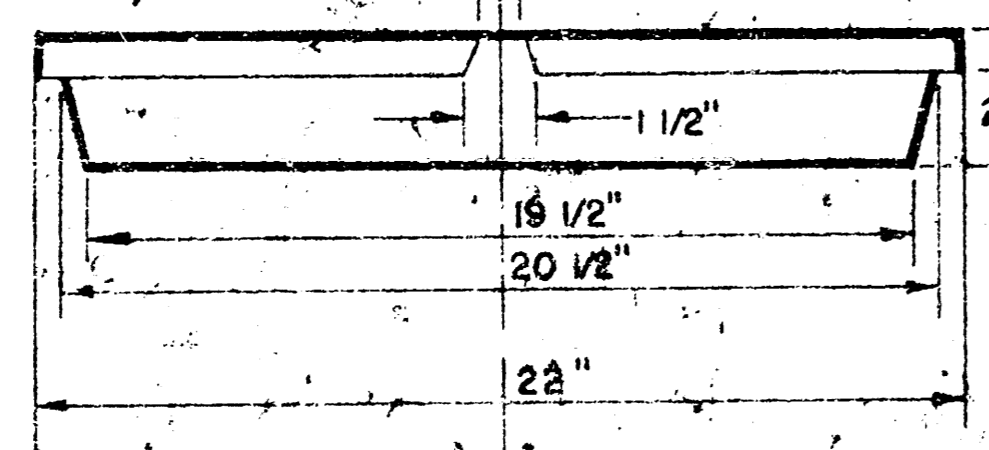
MORTAR USED IN MASONRY CONSTRUCTION SHALL CONTAIN 8 SACKS OF CEMENT PER CUBIC YARD.
 STANDARD MANHOLES TYPE "A" OR TYPE "B" AND STANDARD DROP MANHOLES TYPE "A" OR TYPE "B" SHALL BE BID AS STANDARD MANHOLES FOR THE TYPE AND DIAMETER INDICATED.
 OUTSIDE DROP MANHOLES SHALL BE BID AS STANDARD OUTSIDE DROP MANHOLES FOR THE TYPE AND DIAMETER INDICATED. ALL MANHOLE DIAMETERS WILL BE 4' UNLESS INDICATED OTHERWISE.
 MANHOLES WITH PIPE SIZES LARGER THAN 24" SHALL BE 5' DIAMETER.
 THE FLOORS OF ALL MANHOLES SHALL BE SHAPED TO INCREASE HYDRAULIC EFFICIENCY USING 8 SACK SAND MIX CONCRETE.
 PIPES INSTALLED WITHIN THE MANHOLE EXCAVATION SHALL BE CRADLED WITH CONCRETE TO THE LIMITS OF THE MANHOLE EXCAVATION. COST OF CRADLE WITHIN MANHOLE EXCAVATION SHALL BE INCLUDED IN THE PRICE BID FOR THE MANHOLE.



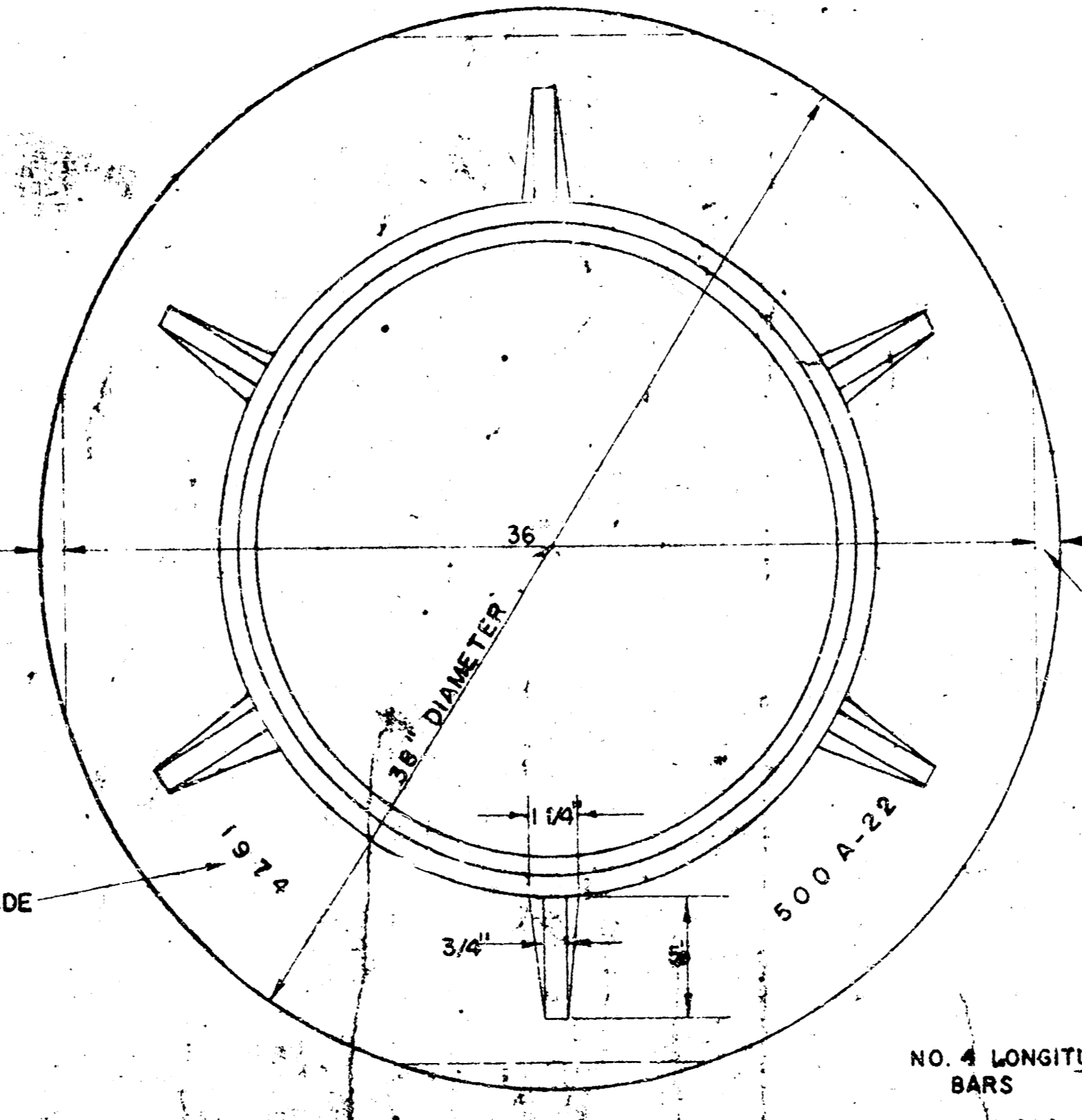
MANHOLE COVER
WEIGHT 110 LBS.



MANHOLE COVER

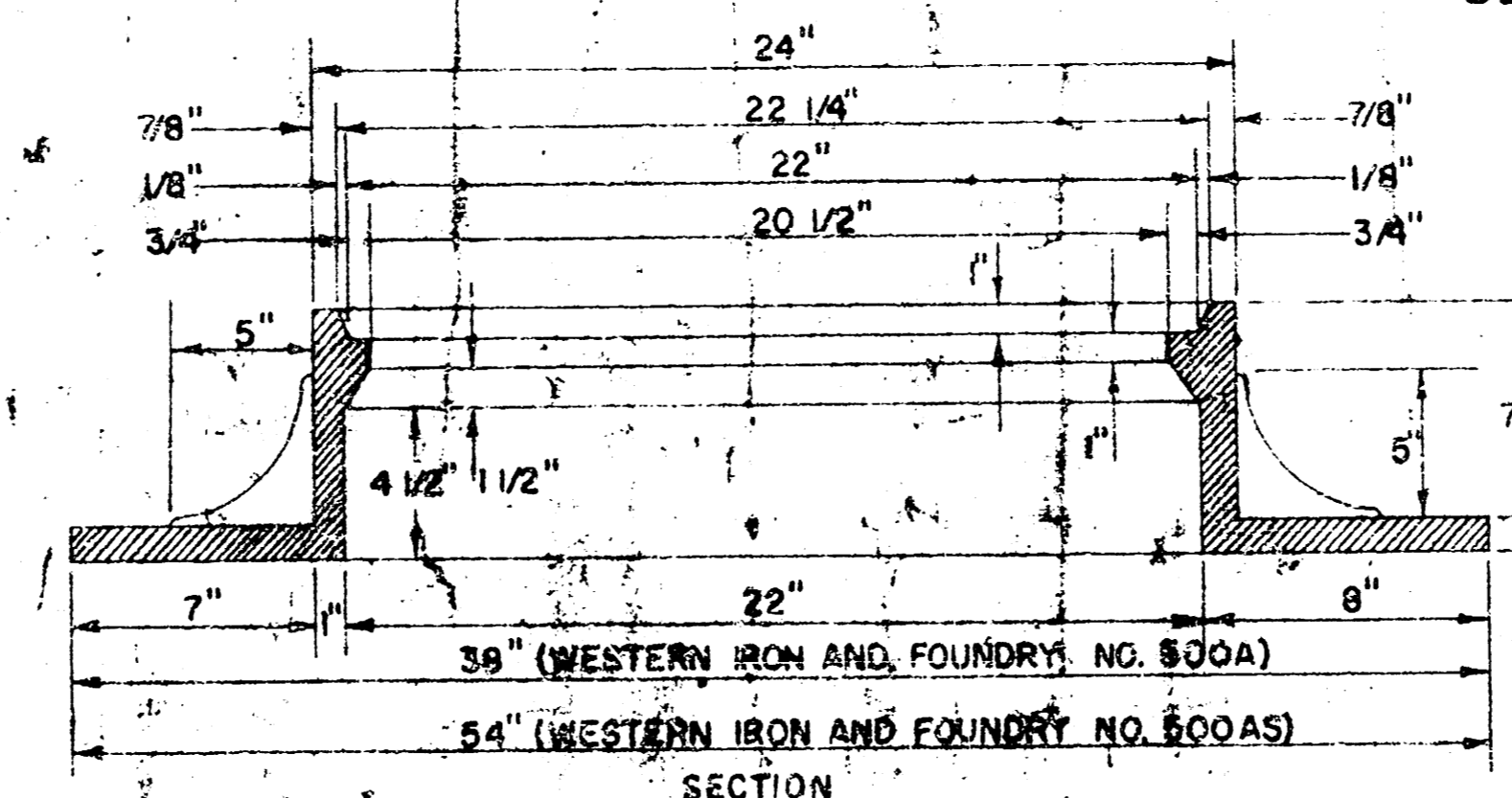


MANHOLE COVER



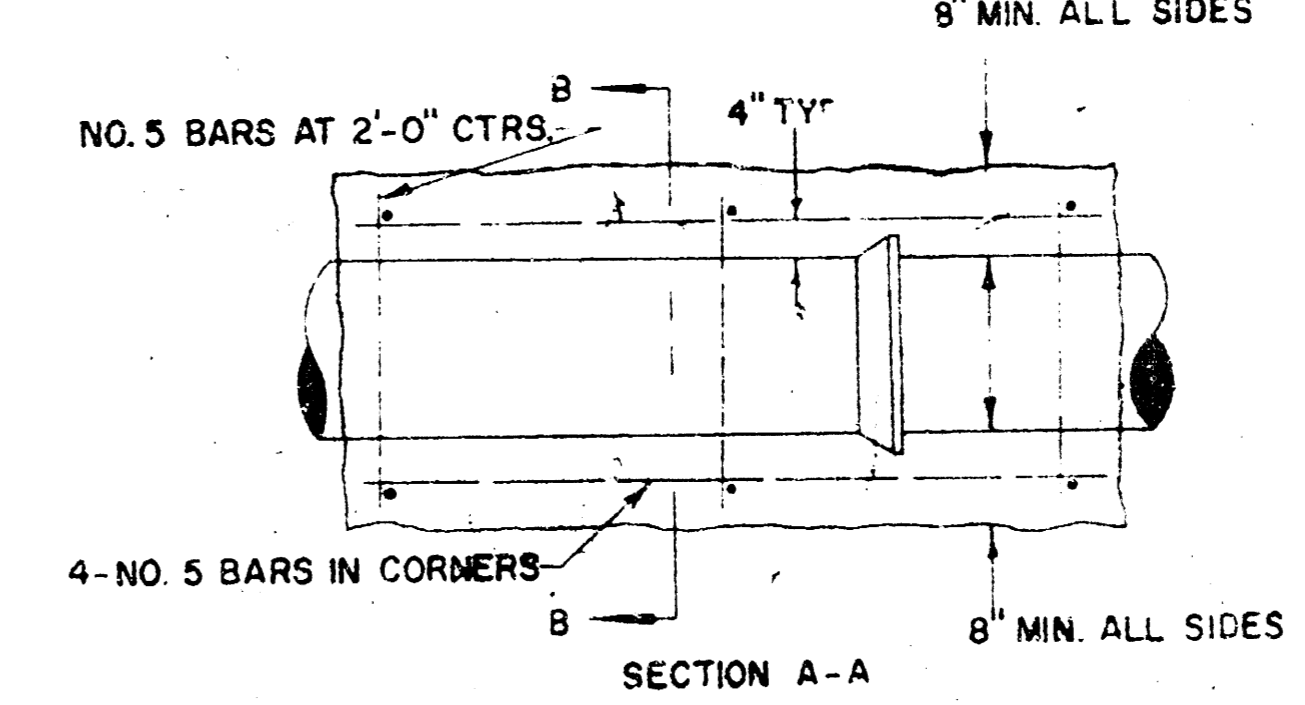
MANHOLE RING

WEIGHT 325 LBS. RING NO. 500A
 WEIGHT 800 LBS. RING NO. 600AS

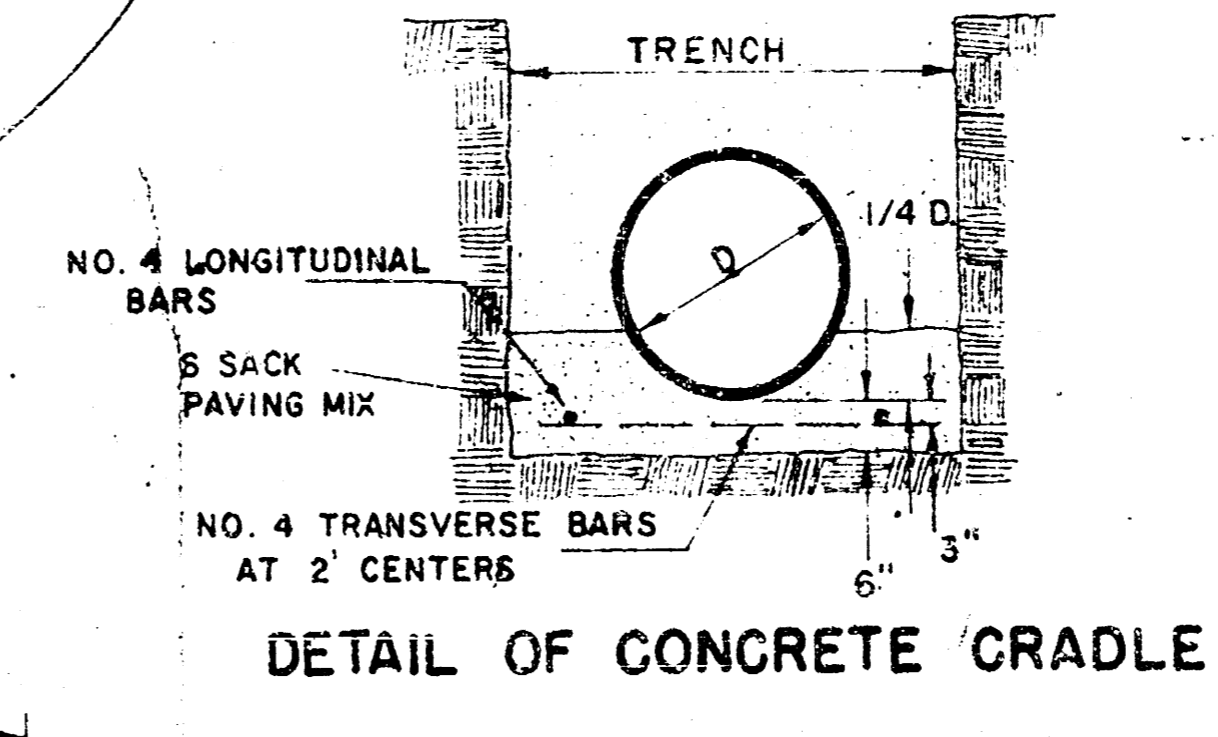
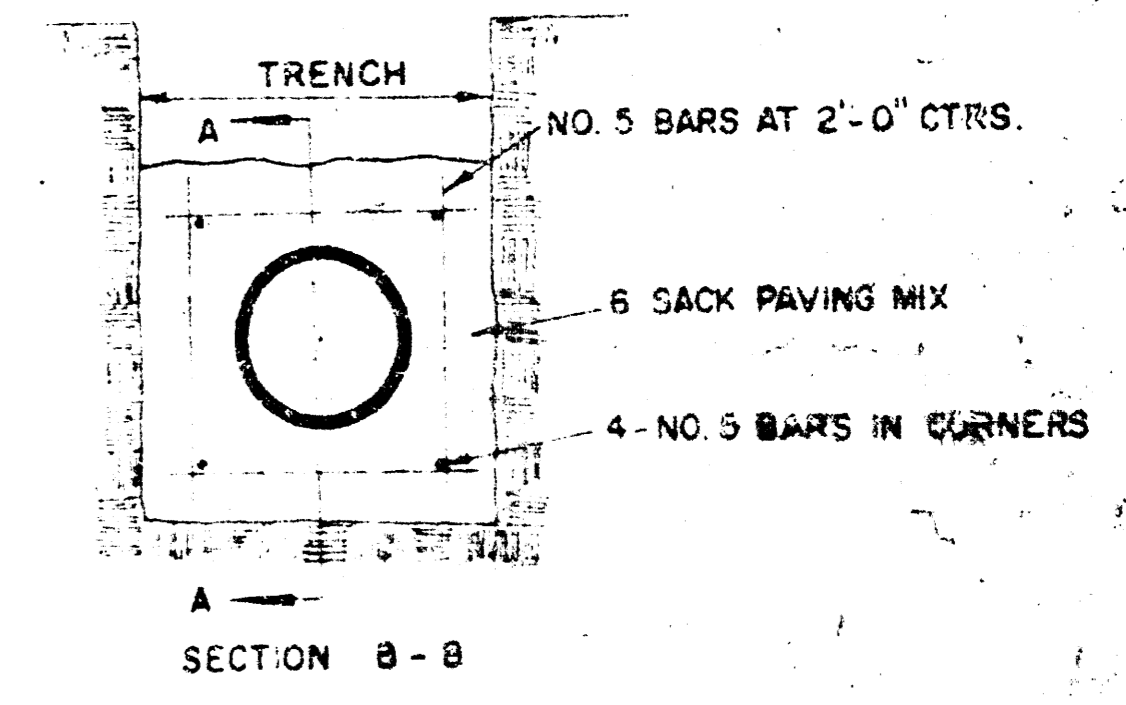


MANHOLE RING

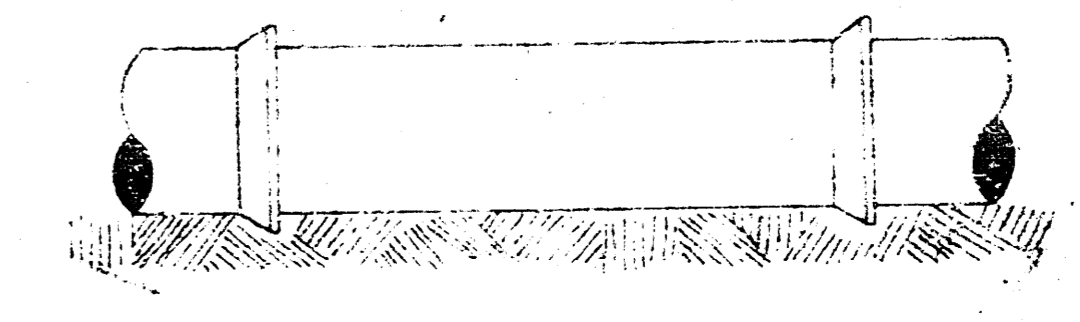
OUTSIDE CIRCUMFERENCE OF COVER AND THE INNER FACE AND SEAT OF RING TO BE MACHINE FIT.



REINFORCED CONCRETE ENCASEMENT



DETAIL OF CONCRETE CRADLE



ORDINARY BEDDING METHOD

PRIVATE STORM SEWER #BKW 701073
 SITE IMPROVEMENTS FOR
WATKINS, INC.
 SECOND & SYCAMORE STREETS WICHITA, KANS.

REVISED 4-13-77.
 DETAILS OF
SEWER APPURTENANCES
 ADOPTED AS STANDARD DESIGN
 BY
 ENGINEERING DIVISION
 CITY OF WICHITA, KANSAS
 R. W. LINN CITY ENGINEER
 1974