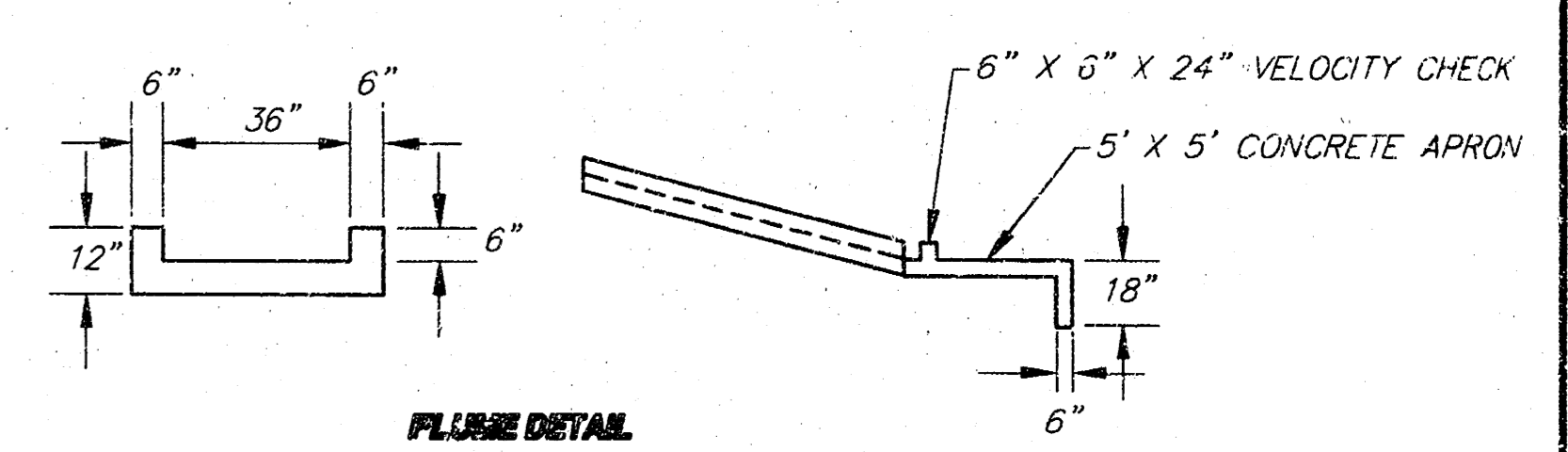
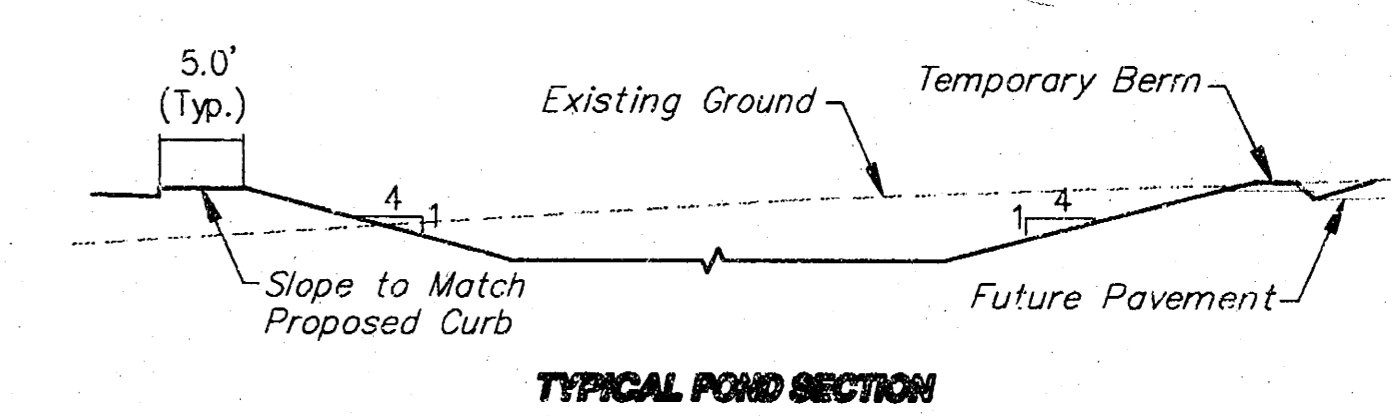
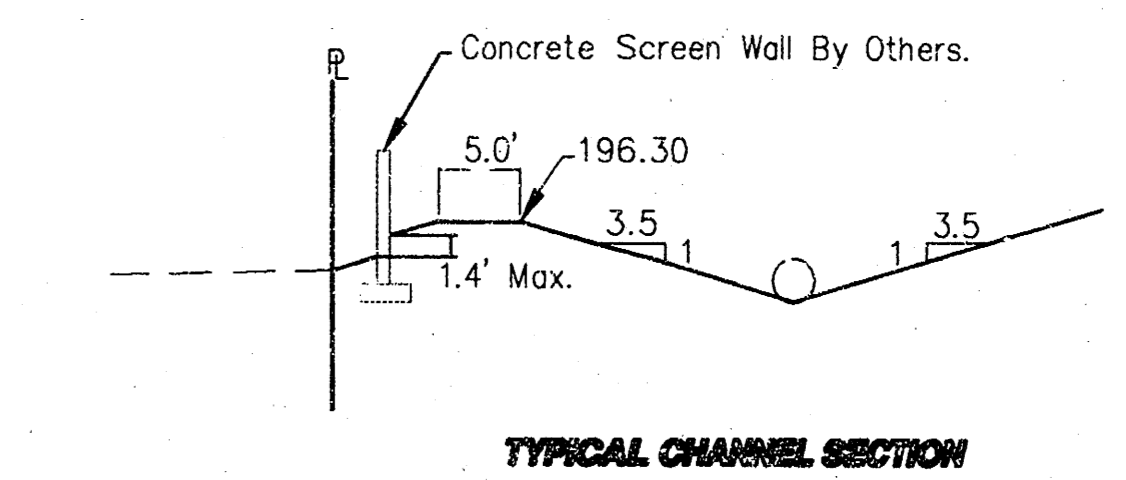


SRB

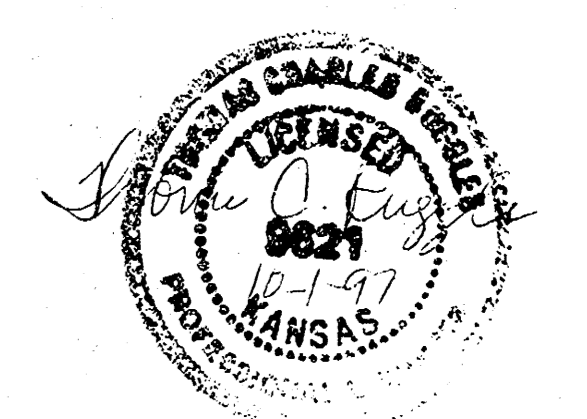
SRB
SCALE:
1" = 40'

Bench Marks:
BM #1: City of Wichita Std. Disk at NW Corner Concrete Field Drain. 150± E. of the E.L. of Rock Road and 6' S. of S.L. 37th Street North. Elev. 203.87
BM #2: 4" Cut in T.C. 10' E. of 2nd Light Pole E. of W.L. Tract 2, N. of Northrock Suites Hotel. Elev. 198.24
BM #3: 4" Cut at S.E. Corner of Lot 3, Block 1, Killarney Plaza First Addition. Elev. 200.24

Legal Description:
BLOCK 1, KILLARNEY PLAZA FIRST ADDITION, EXCEPT THE SOUTH 230 FEET THEREOF.



HEC-1 OUTPUT:
Basin Area = 0.010 sq. miles
Curve Number = 90
100 year Pond Surface = 195.30
Peak Inflow = 35 cfs
Peak Outflow = 11 cfs



REVISED "AS BUILT" 12-4-97 TEB

**BLOCK 1, KILLARNEY PLAZA FIRST ADDITION
PRIVATE STORM DRAIN PLAN
WICHITA, KANSAS**

SRB 924 NORTH MAIN WICHITA, KANSAS 67203 316-264-8008 FAX 264-4521
http://www.fest.com/~srb E-mail: srb@fest.com

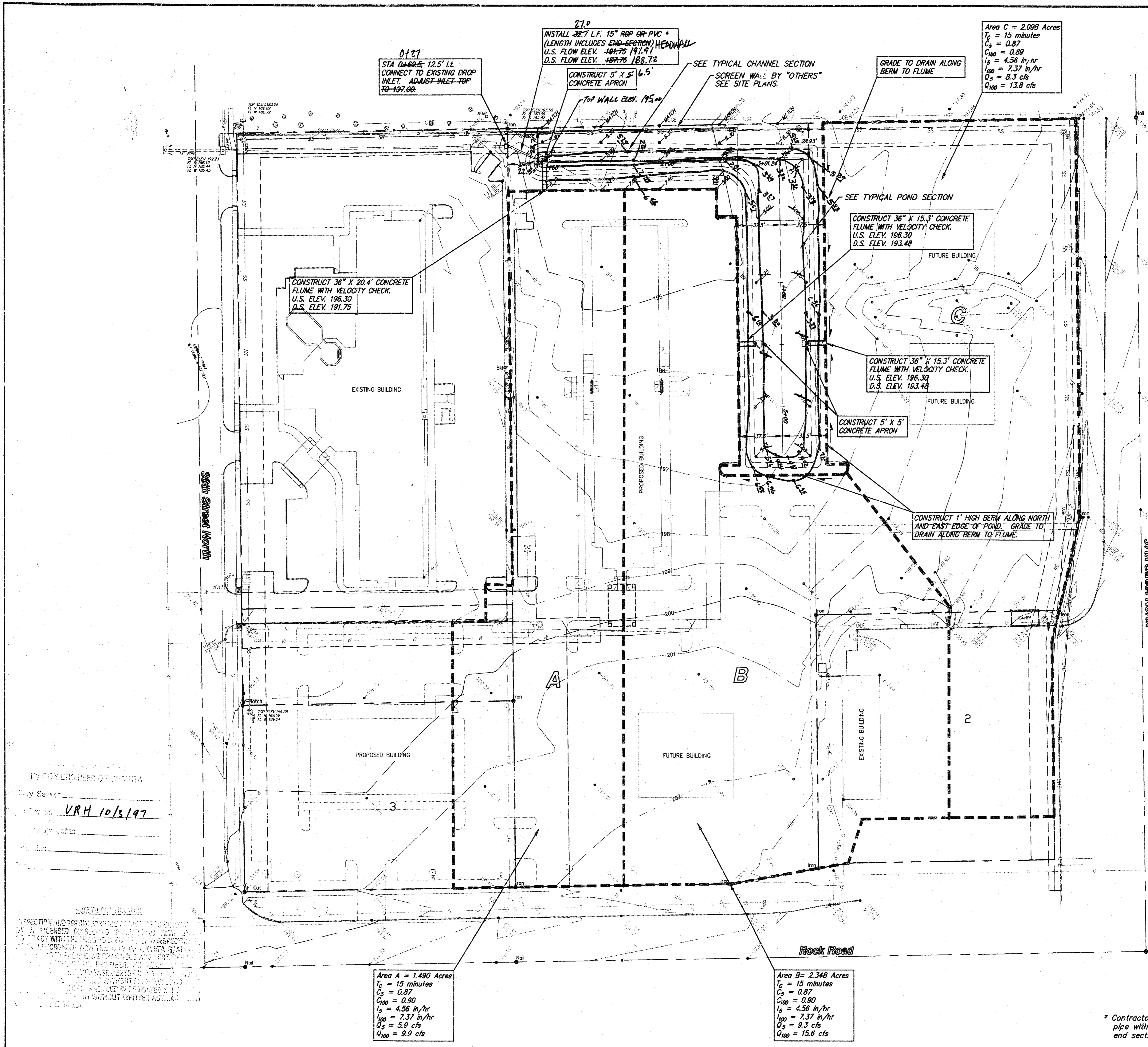
**SAVOY, RUGGLES & BOHM, P.A.
ENGINEERING & SURVEYING**

PROJECT NUMBER
744 PPS (607861)

DESIGN: TCR/KWL DRAWN: KWL CHECKED: JCR REVIEW: JCR DATE: Sept. 24, 1997 REVISED: 10-1-97

SHEET 1 OF 1

* Contractor may use optional PVC pipe with prior approval of pipe and end section by the Engineer.



0127
STA 6+62.5 12.5' LL
CONNECT TO EXISTING DROP
INLET. ADJUST INLET TOP
TO 197.06

270
INSTALL 327' L.F. 15" RCP OR PVC
(LENGTH INCLUDES END SECTION) HEADWALL
U.S. FLOW ELEV. 197.75 191.91
D.S. FLOW ELEV. 182.76 188.72

CONSTRUCT 5' X 5' 6.5'
CONCRETE APRON

TOP WALL ELEV. 195.00

SEE TYPICAL CHANNEL SECTION
SCREEN WALL BY "OTHERS"
SEE SITE PLANS.

GRADE TO DRAIN ALONG
BERM TO FLUME

Area C = 2.098 Acres
T_c = 15 minutes
C_s = 0.87
C₁₀₀ = 0.89
I_s = 4.36 in/hr
I₁₀₀ = 7.37 in/hr
Q_s = 8.3 cfs
Q₁₀₀ = 13.8 cfs

CONSTRUCT 36" X 20.4' CONCRETE
FLUME WITH VELOCITY CHECK.
U.S. ELEV. 196.30
D.S. ELEV. 191.75

CONSTRUCT 36" X 15.3' CONCRETE
FLUME WITH VELOCITY CHECK.
U.S. ELEV. 196.30
D.S. ELEV. 193.48

CONSTRUCT 36" X 15.3' CONCRETE
FLUME WITH VELOCITY CHECK.
U.S. ELEV. 196.30
D.S. ELEV. 193.48

CONSTRUCT 5' X 5'
CONCRETE APRON

CONSTRUCT 1' HIGH BERM ALONG NORTH
AND EAST EDGE OF POND. GRADE TO
DRAIN ALONG BERM TO FLUME.

Area A = 1.490 Acres
T_c = 15 minutes
C_s = 0.87
C₁₀₀ = 0.90
I_s = 4.56 in/hr
I₁₀₀ = 7.37 in/hr
Q_s = 9.9 cfs
Q₁₀₀ = 9.9 cfs

Area B = 2.348 Acres
T_c = 15 minutes
C_s = 0.87
C₁₀₀ = 0.90
I_s = 4.56 in/hr
I₁₀₀ = 7.37 in/hr
Q_s = 9.3 cfs
Q₁₀₀ = 15.6 cfs

BY CITY ENGINEER OF WICHITA
City Seal
VRH 10/3/97

NOTICE:
THIS PLAN AND SPECIFICATIONS FOR THE CONSTRUCTION OF THE STORM DRAINAGE SYSTEM ARE THE PROPERTY OF SAVOY, RUGGLES & BOHM, P.A. ENGINEERING & SURVEYING. IT IS TO BE USED ONLY FOR THE PROJECT AND SITE SPECIFICALLY IDENTIFIED HEREON. NO PART OF THIS PLAN OR SPECIFICATIONS IS TO BE REPRODUCED OR TRANSMITTED IN ANY FORM OR BY ANY MEANS, ELECTRONIC OR MECHANICAL, INCLUDING PHOTOCOPYING, RECORDING, OR BY ANY INFORMATION STORAGE AND RETRIEVAL SYSTEM, WITHOUT WRITTEN PERMISSION FROM SAVOY, RUGGLES & BOHM, P.A. ENGINEERING & SURVEYING.

AT SO 40 31