

# STORM SEWER TO SERVE MEDITERRANEAN PLAZA

**3213 TOBEN**  
**1265 PPS (807861)**  
**WICHITA, KANSAS**  
**NEIL D. CABLE, P.E., CITY ENGINEER**

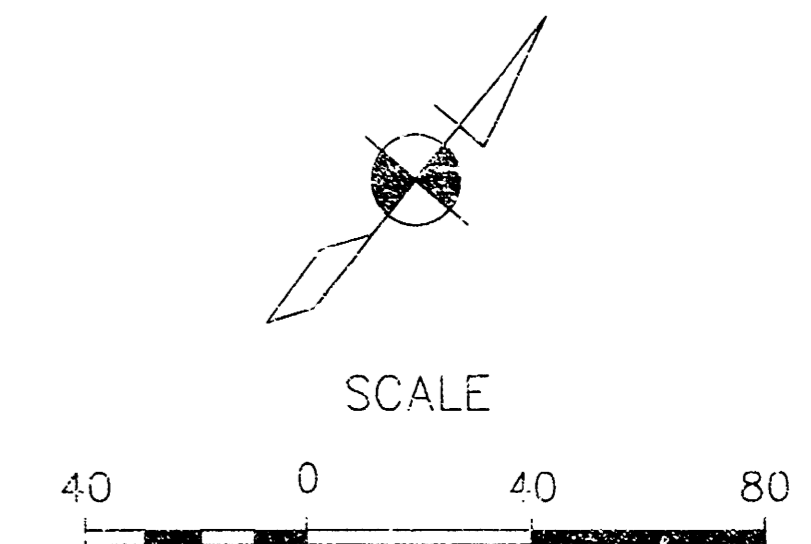
**GENERAL NOTES**

1. Contractor will be required to provide notice to utility companies a minimum of twenty-four (24) hours prior to any excavation, as follows:

- |   |  |
|---|--|
| Southwestern Bell Telephone Co.<br>154 N. Broadway<br>Wichita, Kansas 67202<br>Bob Alley<br>316-268-2245                        | Wichita Sewer Maintenance Div.<br>Water & Water Pollution Control Dept.<br>6th Floor, City Hall<br>455 N. Main St.<br>Wichita, Kansas 67202<br>Steve Lashley<br>316-268-4624 |
| Kansas Gas & Electric Co.<br>1900 E. Central<br>Wichita, Kansas 67214<br>Randy Truitt<br>316-261-6251<br>(Electric)             | Cox Communications<br>701 E. Duane<br>Wichita, Kansas 67202<br>Brian Ring<br>316-262-4270 x.169  |
| Wichita Water & Sewer Dept.<br>9th Floor, City Hall<br>455 N. Main St.<br>Wichita, Kansas 67202<br>Bill Perkins<br>316-268-4555 | Kansas Gas Service<br>1021 E. 26th, North<br>Wichita, Kansas 67219<br>Charlene Lowiess<br>316-383-8600 or 316-832-3177   |
| Aquila Network (Gas)<br>1611 S. Hoover<br>Wichita, Kansas 67208<br>Calvin Briggs<br>316-941-7233                                | Kansas One Call<br>800-344-7233<br><br>Dig Safe<br>316-687-2470<br><br>Emergency 911   |

The Contractor must notify the following in case of an emergency:

- All improvements shall be installed in accordance with City of Wichita, Kansas Standard Specifications for Storm Sewer Construction.
- Contractor shall not start work on the project until the project inspector is assigned to the project and is present on the site. Any work done without inspection will be required to be uncovered for inspection.
- Underground utility service lines and overhead utility pole lines are to be adjusted as necessary by others prior to construction, unless the plans specifically call for their locations, as shown on the plans, represent the best information obtainable for design. Location information has been obtained from the various utility companies and is either from company record drawings or company-provided field locations. The Contractor will be required to work around existing utilities within the right-of-way which do not conflict with proposed construction.
- The contractor shall be responsible for preserving property irons. The Contractor will be required to reestablish any property irons which are damaged or destroyed by his construction operations. Such irons shall be reestablished by a licensed land surveyor in accordance with state law.
- All areas disturbed by construction operations shall be seeded with rye grass at a rate of 300 lbs/acre immediately following construction in that area. Ground shall be prepared per City of Wichita specifications prior to seeding.
- Contractor shall verify the location of all utilities prior to beginning construction.
- Pipe shall be Contech Ultra-Flo or approved equal.

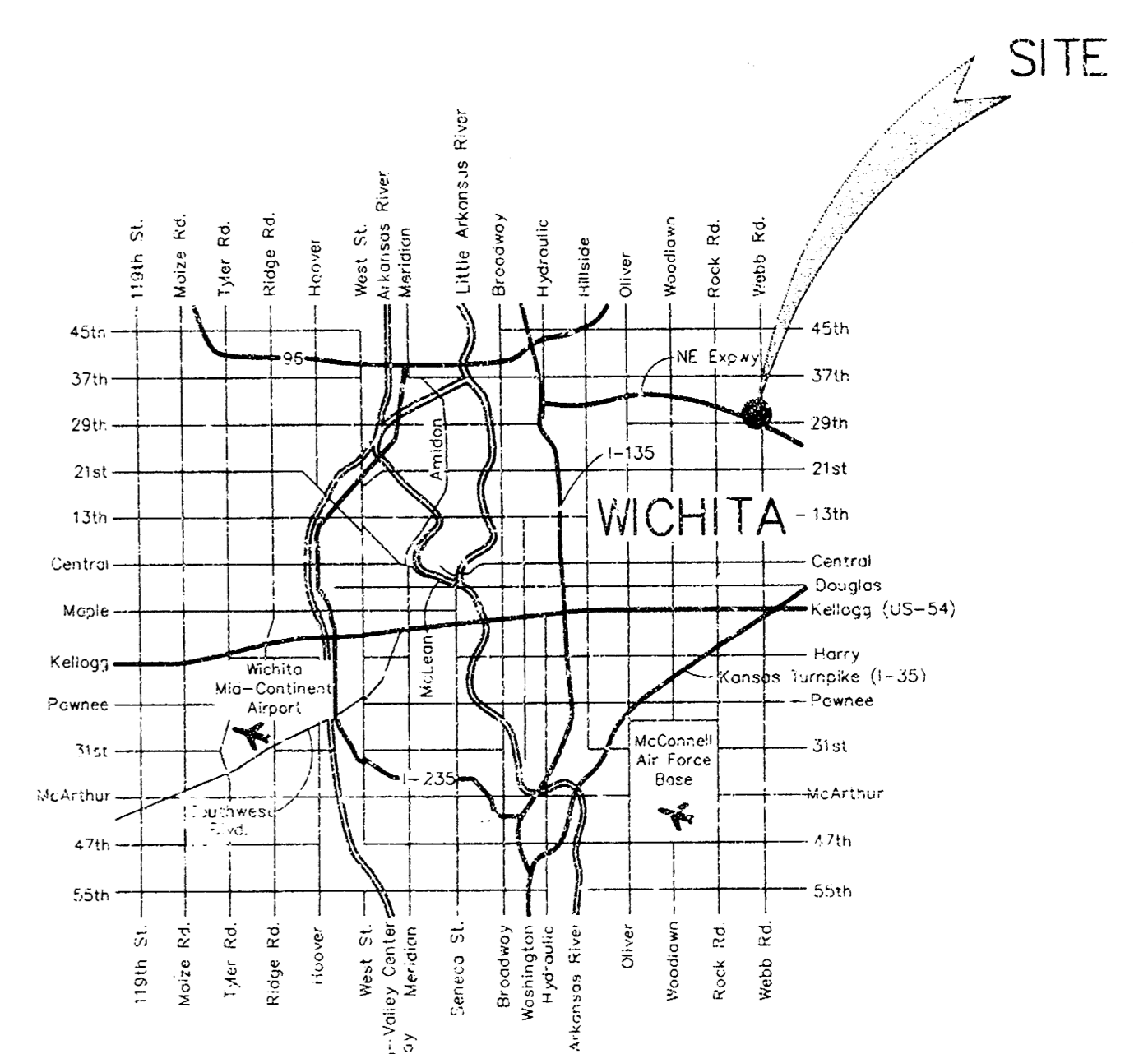
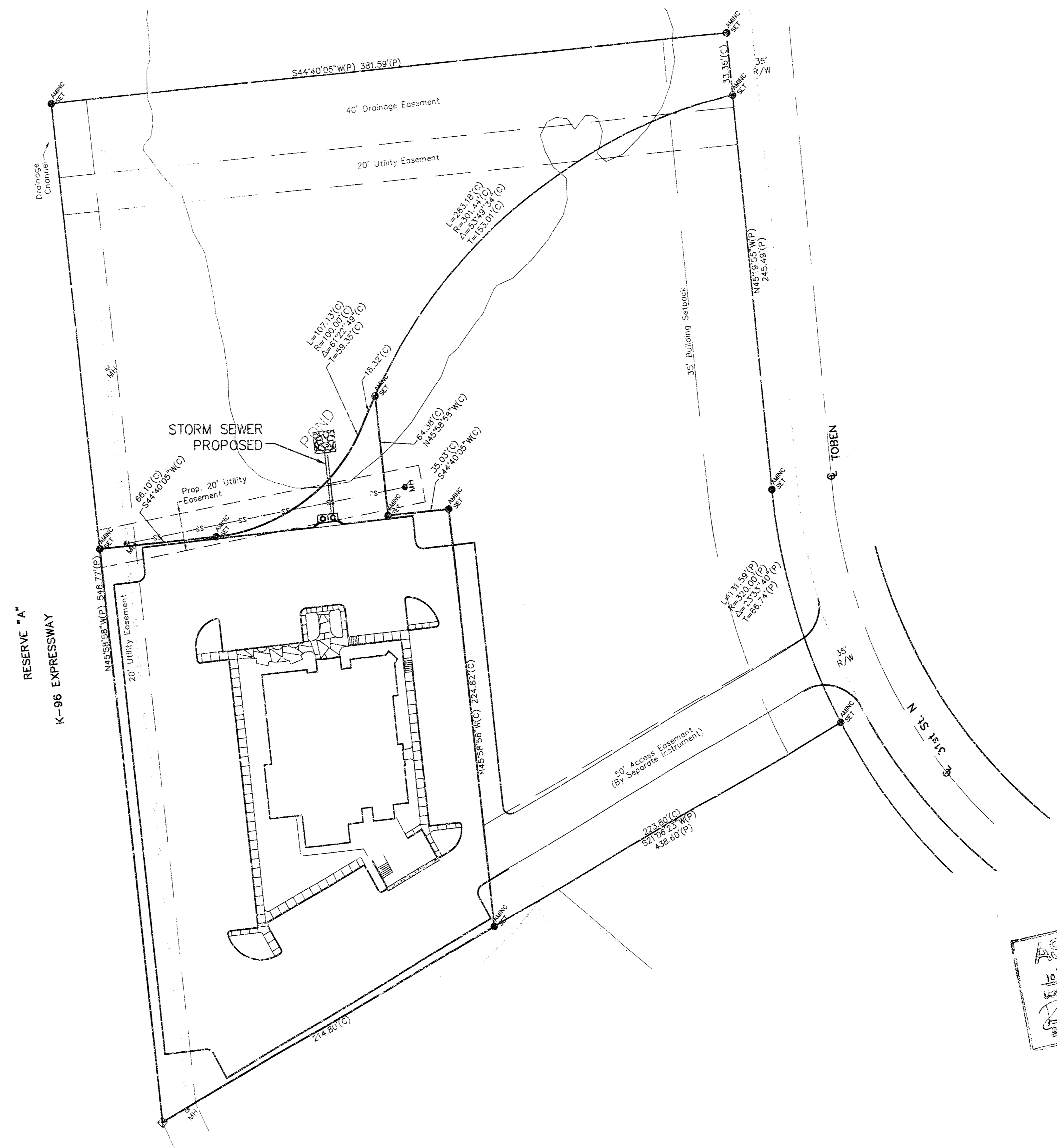


**SHEET INDEX**

- Title Sheet
- Sta. Type 1-A Curb Inlet
- Plan & Profile

**BENCHMARK**

City of Wichita disc  
Webb Road and 34th St. North  
Northwest corner of intersection  
3 ft. North back of curb  
3.6 ft. West signal arm pole  
84 ft. West of centerline  
+0.2 ft. East/Northeast center of tree in median  
Elev. 1431.58 msl 244.19 city datum



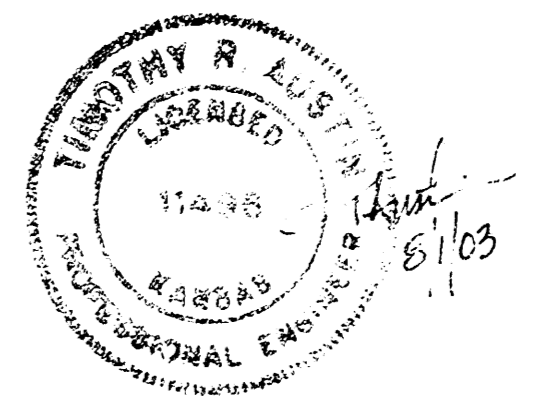
APPROVED AS NOTED  
BY CITY ENGINEER OF WICHITA

STORM SEWER VRH 8/1/03

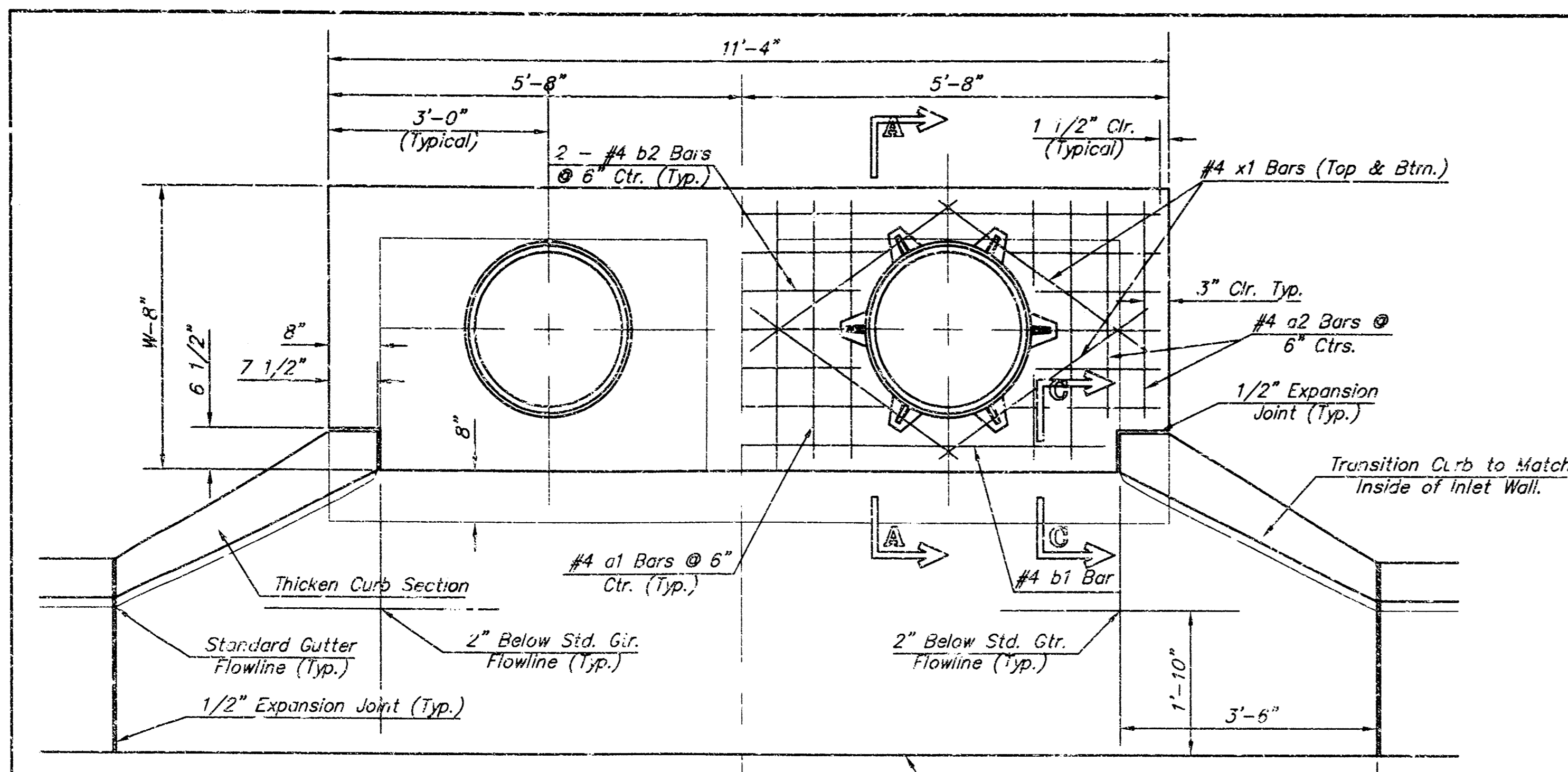
NOTE TO CONTRACTORS:

**PUBLIC PROPERTY**  
Inspection and testing for the waterline is to be provided by a licensed consulting engineering firm under contract with the Owner/Developer. Said inspection to be in accordance with the City of Wichita standard construction engineering practices and certified by a Licensed Professional Engineer. No work shall be performed in dedicated easements or public right-of-way by the contractor without such inspection nor shall any work be commenced without written authorization by the City Engineer. All Construction and Materials shall comply with the City of Wichita Specifications and Standards (on file and available in the City Engineer's Office).

AS-BUILT  
10/1/03  
VRH  
8/1/03

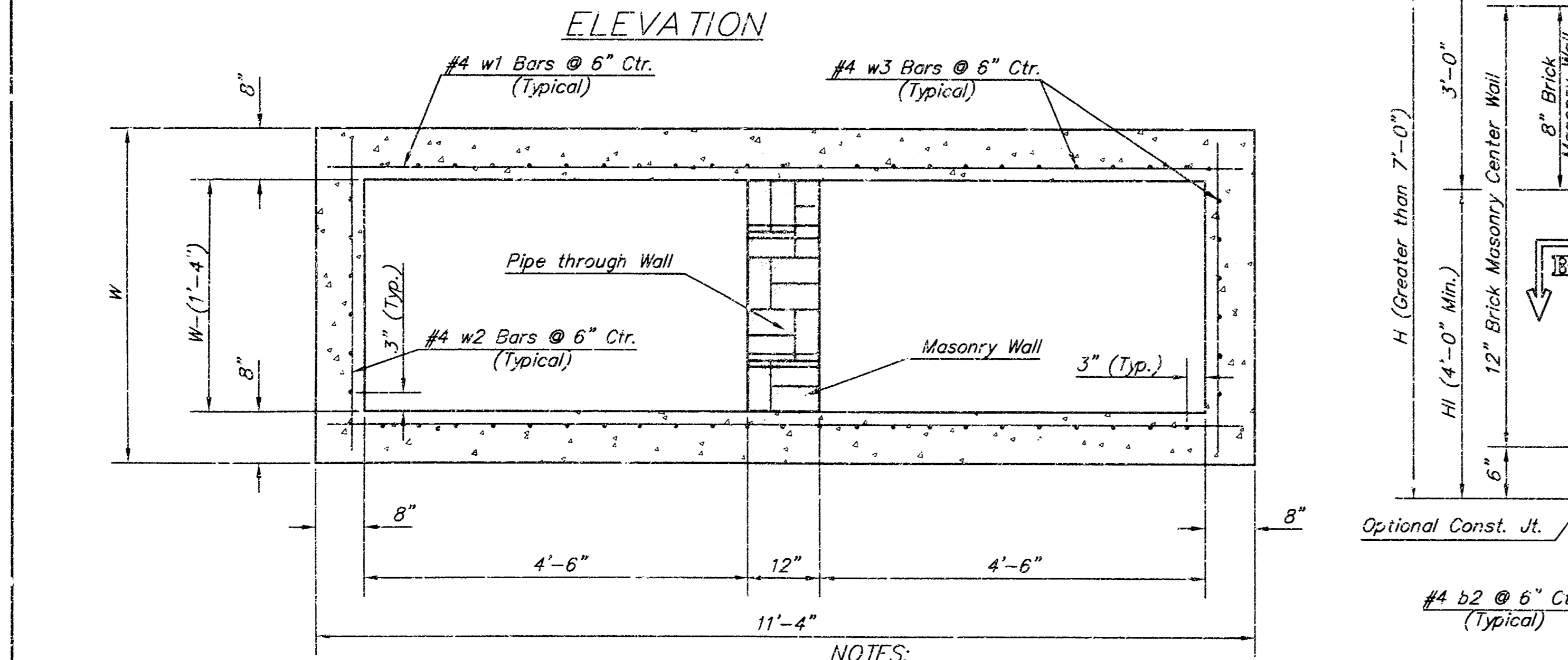
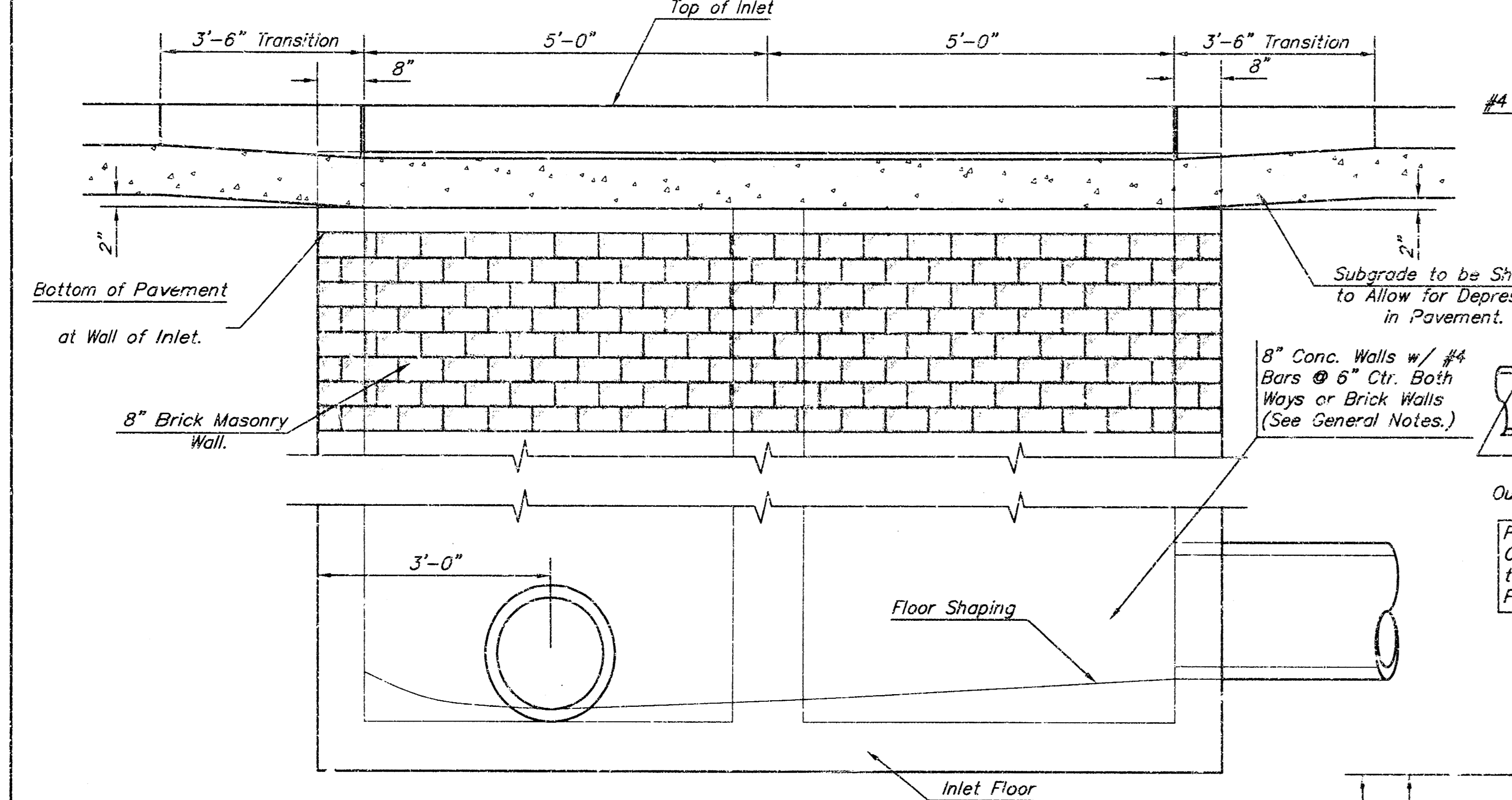


PPS title.dwg F:\3 Aug 03 11:58 AM 2003 48 00 15 24 w.r.c.



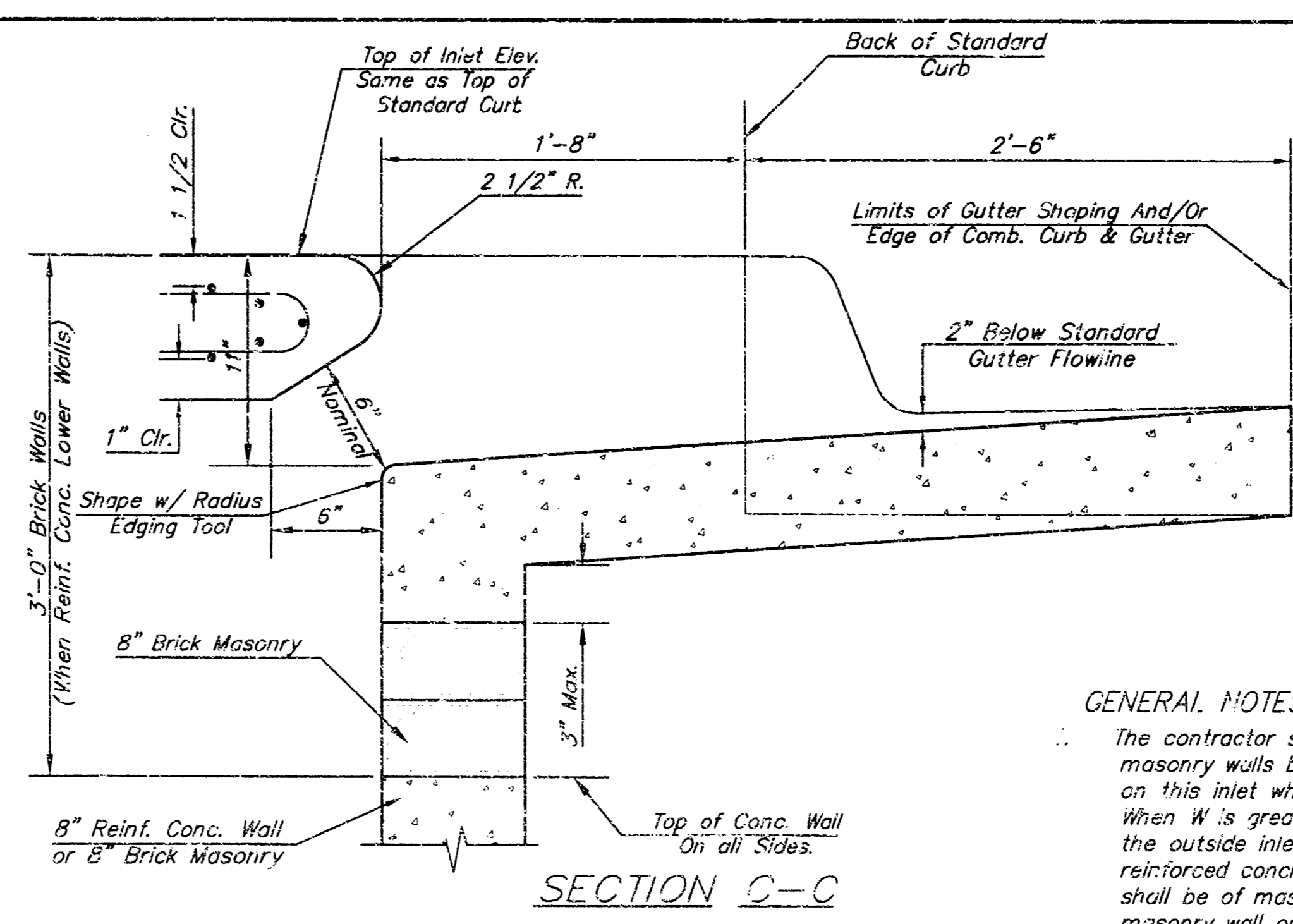
NOTE:  
Expansion Joint Only in Curb Area with Concrete Pavement.

PLAN  
\*Left Side Shown Without Slab Reinforcing, Right Side Shown With Slab Reinforcing

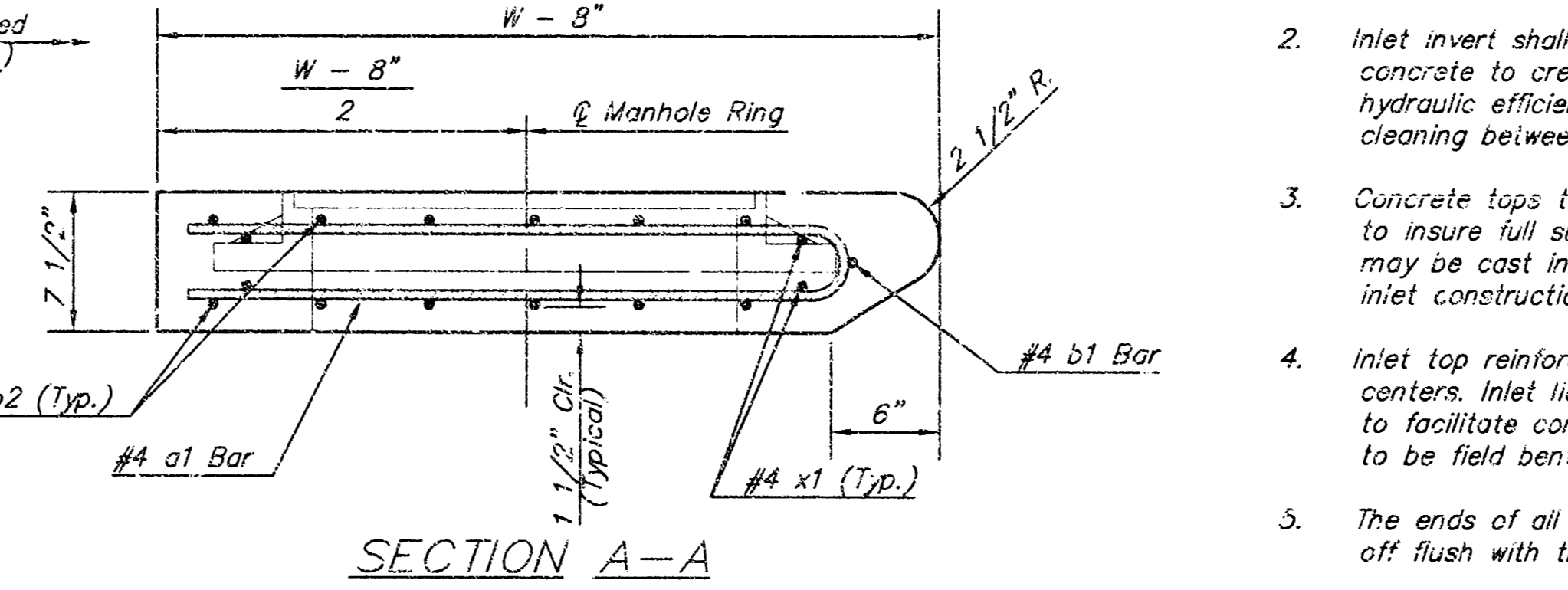


SECTION B-B

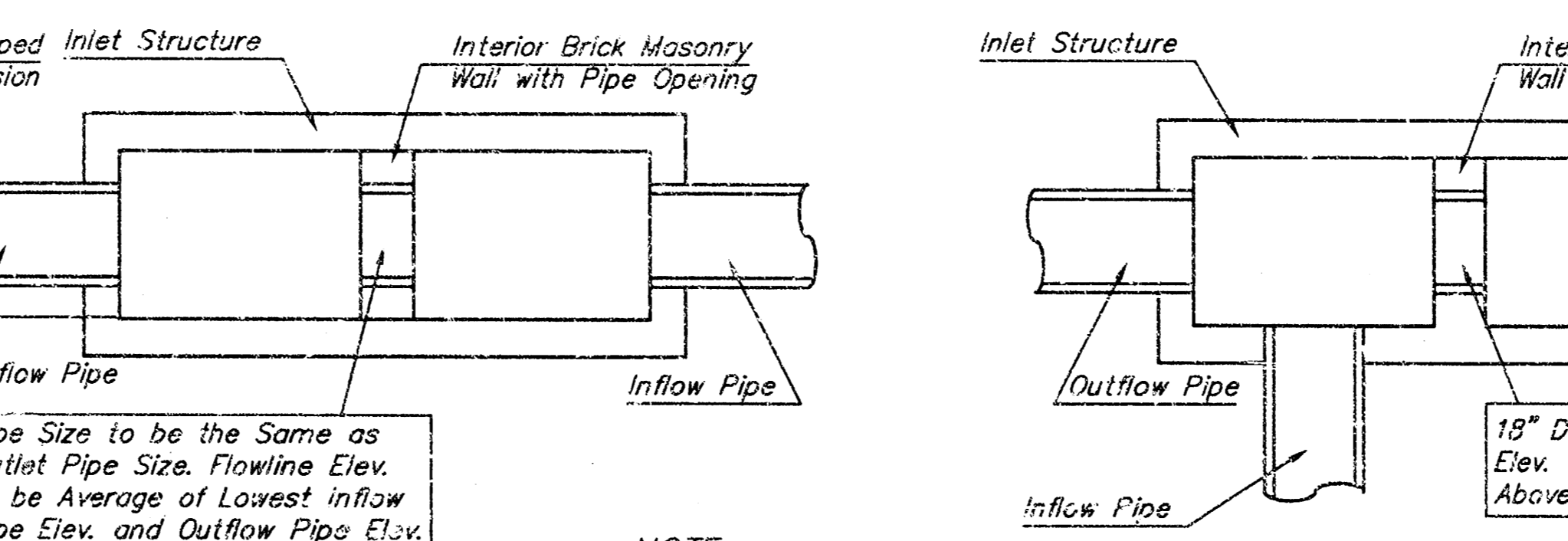
NOTES:  
\*\* A center wall opening shall be provided by means of a section of reinforced concrete pipe. See Case I and Case II above.  
\*\*\* Slope of inlet tops to match sidewalk of parking slopes within limits indicated



SECTION C-C

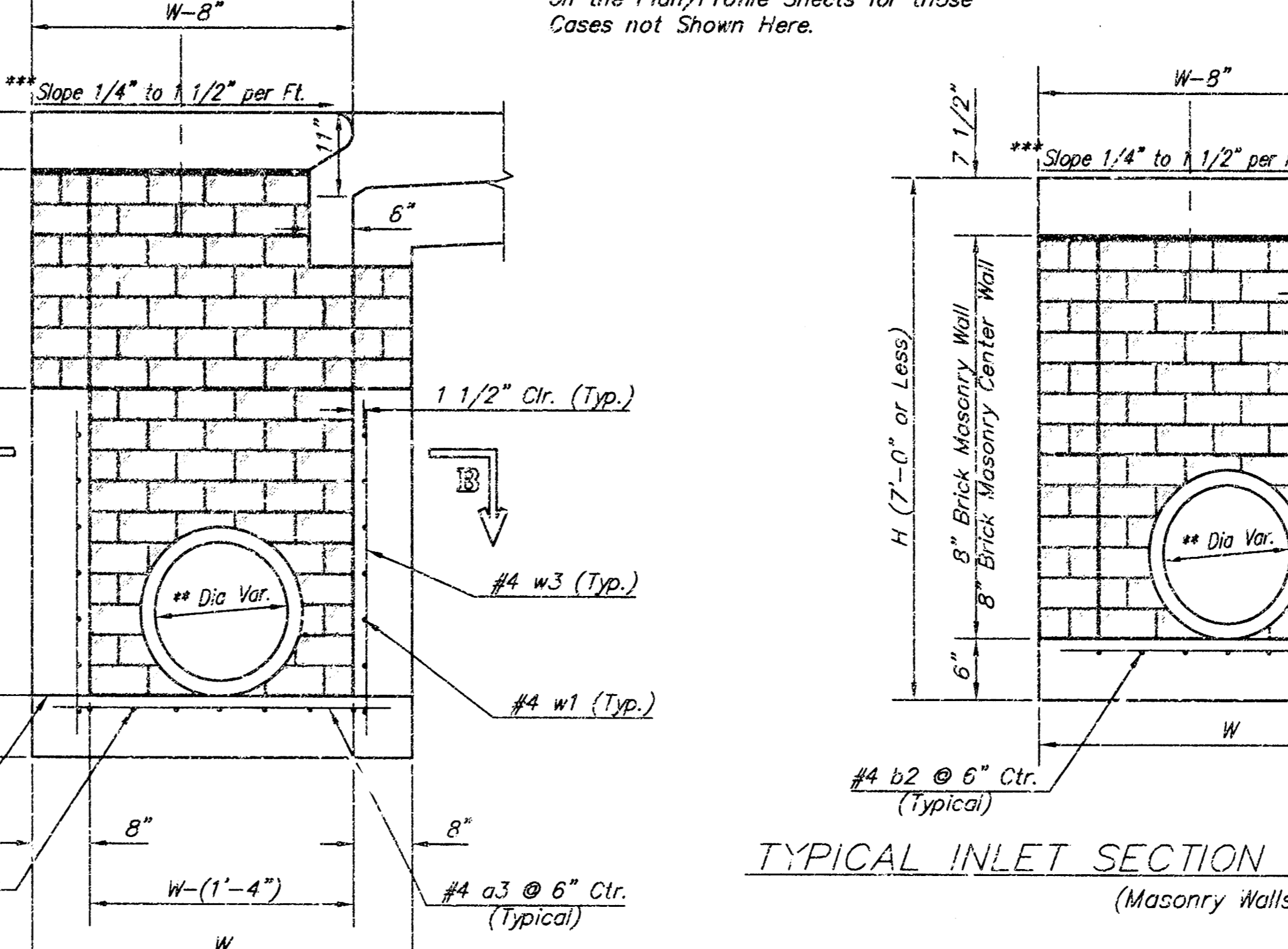


SECTION A-A



CASE I

NOTE:  
Center Wall Pipe Size shall be as Specified in Inlet Construction Notes on the Plan/Profile Sheets for those Cases not Shown Here.



CASE II

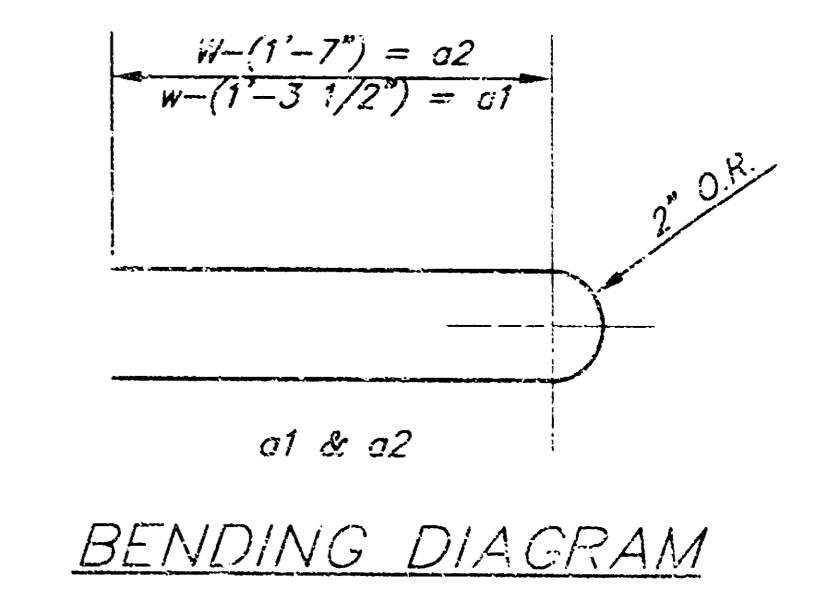
TYPICAL INLET SECTION AT CENTER WALL (Reinforced Concrete Walls)

PRECAST SLAB AND FLOOR REINFORCING											
MARK	SIZE	W = 4'-4"		W = 5'-4"		W = 6'-4"		W = 7'-4"		W = 8'-4"	
		NO.	LENGTH	NO.	LENGTH	NO.	LENGTH	NO.	LENGTH	NO.	LENGTH
a1	#4	13	6'-7"	13	8'-2"	13	10'-2"	13	12'-7"	13	14'-7"
a2	#4	4	6'-0"	4	8'-0"	4	10'-0"	4	12'-0"	4	14'-0"
a3	#4	23	4'-1"	23	5'-1"	23	6'-1"	23	7'-1"	23	8'-1"
b1	#4	1	9'-9"	1	9'-9"	1	9'-9"	1	9'-9"	1	9'-9"
b2	#4	23	11'-1"	29	11'-1"	35	11'-1"	41	11'-1"	47	11'-1"
x1	#4	16	3'-10"	16	4'-2"	16	4'-6"	16	4'-10"	16	5'-2"

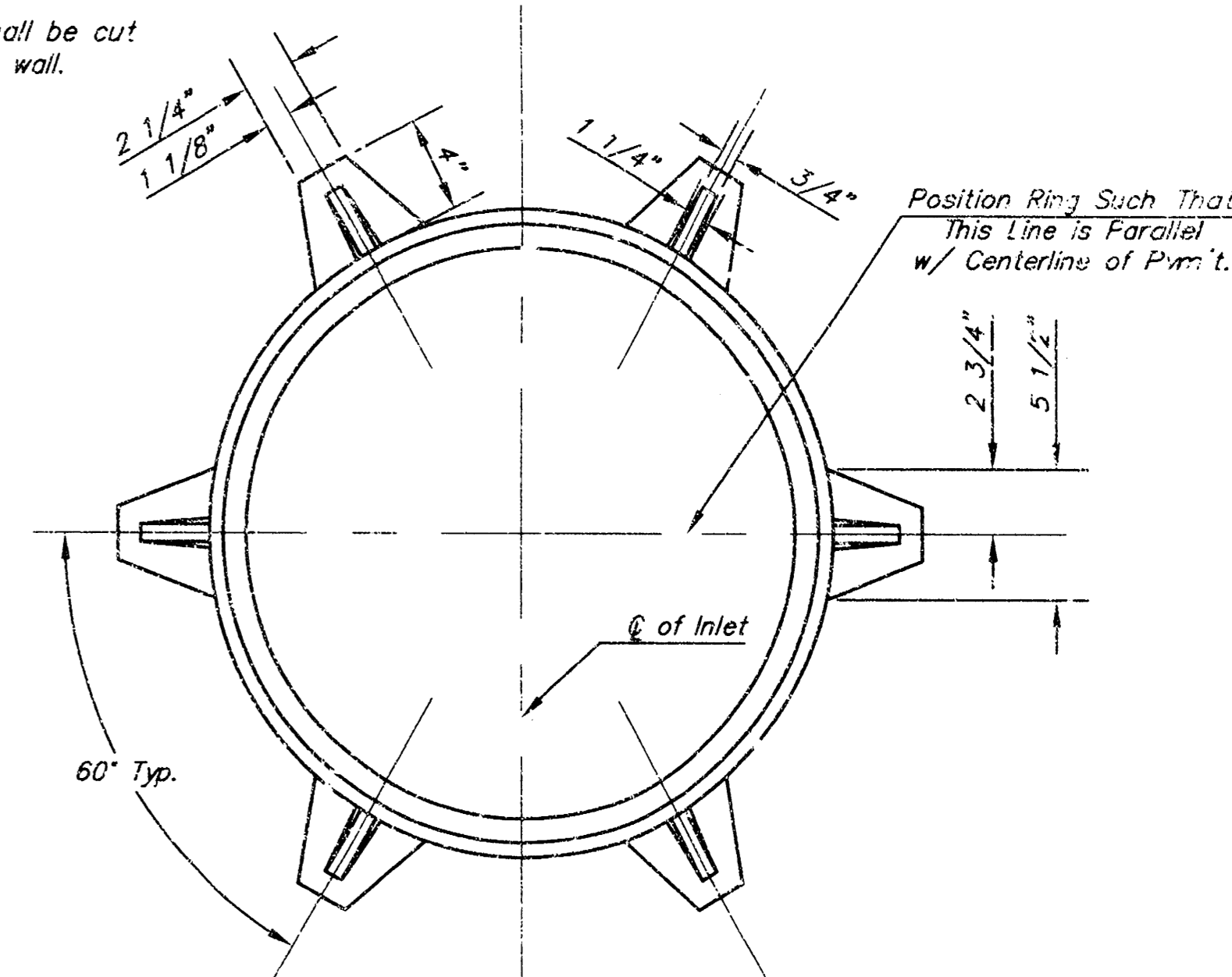
WALL REINFORCING											
MARK	SIZE	W = 4'-4"		W = 5'-4"		W = 6'-4"		W = 7'-4"		W = 8'-4"	
		NO.	LENGTH	NO.	LENGTH	NO.	LENGTH	NO.	LENGTH	NO.	LENGTH
w1	#4	1	11'-1"	1	11'-1"	1	11'-1"	1	11'-1"	1	11'-1"
w2	#4	1	4'-1"	1	5'-1"	1	6'-1"	1	7'-1"	1	8'-1"
w3	#4	52	2	56	2	60	2	64	2	68	2

\* Field Bend or Cut Reinforcing as Required for Clearance.  
 (H - 12") (H - 21") Rounded down to nearest 0.5"  
 (H - 3")



BENDING DIAGRAM

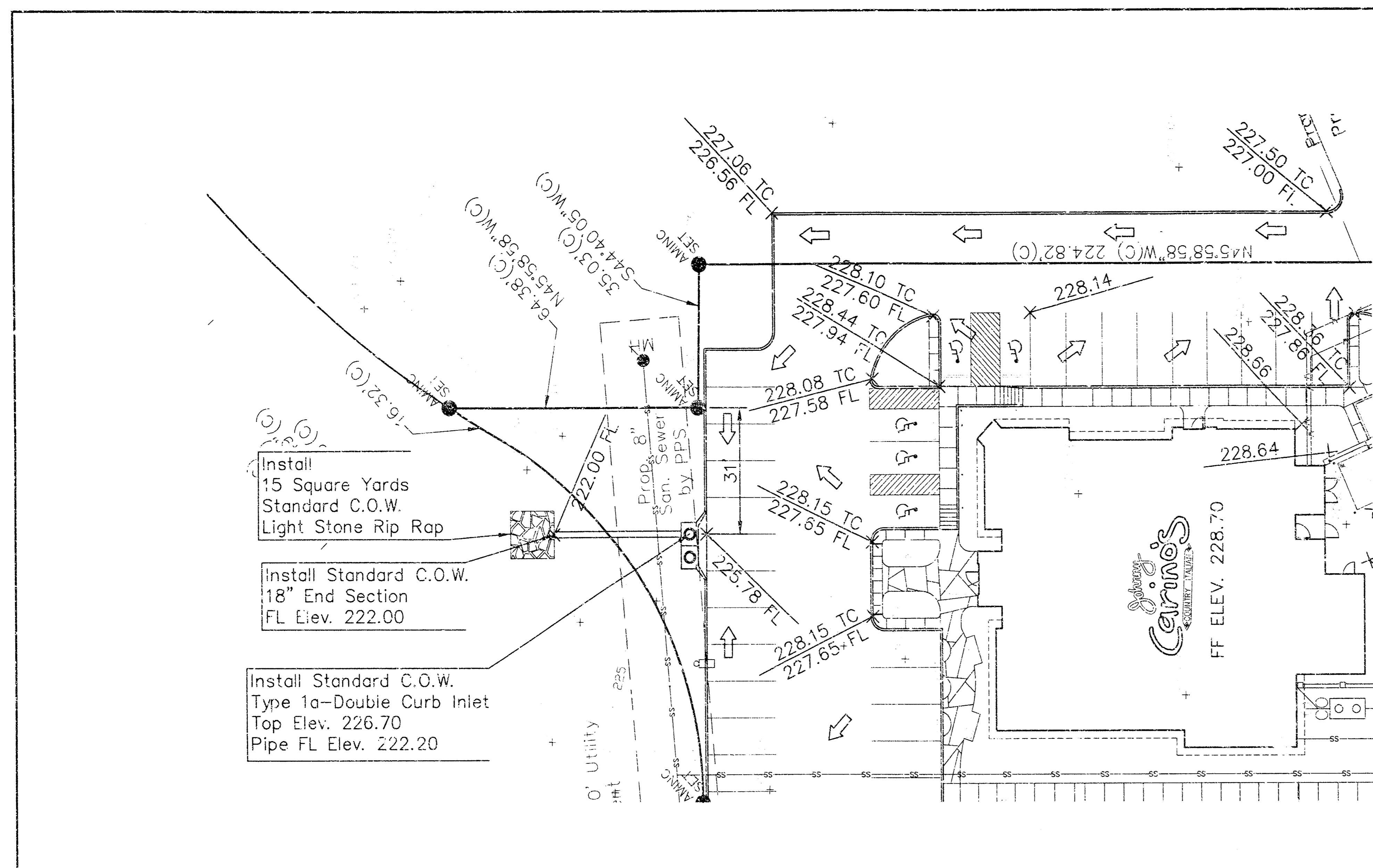
STANDARD CURB INLET PRECAST TOPS			
W	PRE-CAST TOP SIZE	PIPE SIZE	CU. YD. CONC.
4'-4"	3'-8" x 11'-4" x 7 1/2"	21" & SMALLER	0.83t
5'-4"	4'-8" x 11'-4" x 7 1/2"	24" & 30"	1.09t
6'-4"	5'-8" x 11'-4" x 7 1/2"	36" & 42"	1.35t
7'-4"	6'-8" x 11'-4" x 7 1/2"	48" & 54"	1.61t
8'-4"	7'-8" x 11'-4" x 7 1/2"	60" & 66"	1.87t



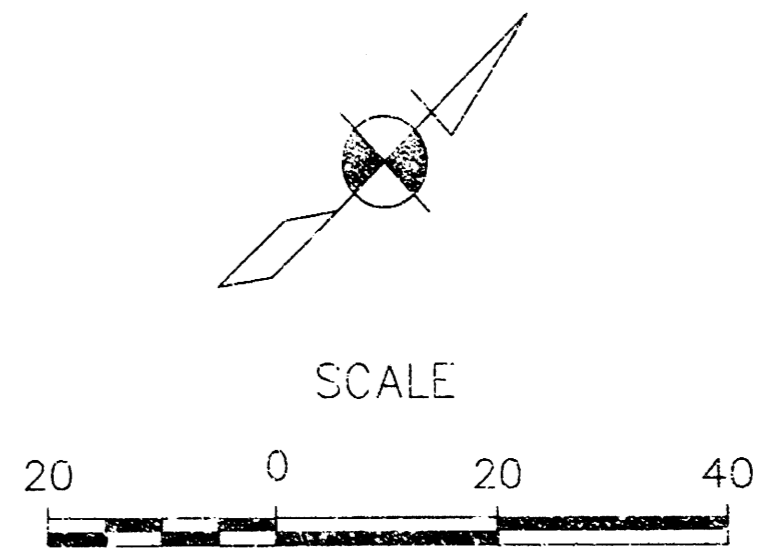
MANHOLE RING AND COVER  
Weight = 180 lbs.

THE CITY OF WICHITA  
 STANDARD TYPE 1-A CURB INLET  
 OPENING = 6" x 10'-0"  
 W. E. LINDBER P.E. - CITY ENGINEER  
 PROJECT NUMBER 1385 PPS 607861  
 SHEET 9 OF 14

JOHNNY CARINO'S COUNTRY ITALIAN  
 TYPE 1-A CURB INLET  
 8219 TOLSON, WICHITA, KANSAS  
 PROJECT NUMBER 1385 PPS (607861)  
 DRAWN: C.O.W. FILE: 1385 DATE: 07-15-03 SCALE: N.T.S.  
 SHEET 2 OF 3

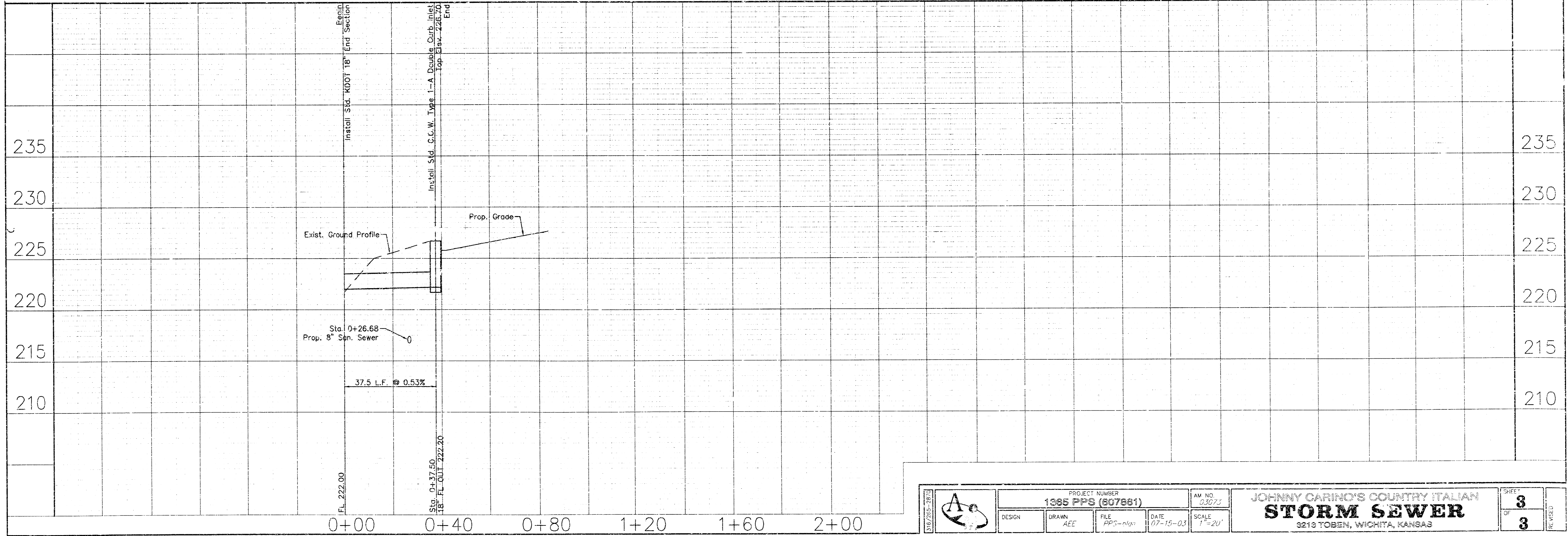


- Install 15 Square Yards Standard C.O.W. Light Stone Rip Rap
- Install Standard C.O.W. 18" End Section FL Elev. 222.00
- Install Standard C.O.W. Type 1a-Double Curb Inlet Top Elev. 226.70 Pipe FL Elev. 222.20



**LEGEND**

- 225 = Exist. Contours
  - + = Exist. Spot Elev.
  - ← = Drainage Arrow
  - 227.50 TC  
227.00 FL X = Prop. Spot Elev.
  - ☒ = 3/4" Iron Pipe PEC cap (found)
  - ⊙<sup>AMNC</sup> SET = 5/8" Rebar AMINC CLS #104 (set)
  - (C) = Calculated
  - (P) = Platted
  - R.O.W. = Right-of-Way
  - ⊕ = Fire Hydrant
  - ♿ = Handicap Parking
  - ⊙ = Light Pole
  - ⊕ = Manhole
  - ⊙ = Parking Stall
  - = Sanitary Sewer
  - = Sign
  - = Water
  - WM = Water Meter
  - WV = Water Valve
  - CO = Cleanout
- BENCHMARK**  
 City of Wichita disc  
 Webb Road and 34th St. North  
 Northwest corner of intersection  
 3 ft. North back of curb  
 8.6 ft. West signal arm pole  
 84 ft. West of centerline  
 40.2 ft. East/Northeast center of tree in median  
 Elev. 1431.58 msl 244.18 city datum



	PROJECT NUMBER <b>1385 PPS (607861)</b>		AM NO. 03072	<b>JOHNNY CARINO'S COUNTRY ITALIAN</b> <b>STORM SEWER</b> 3213 TOBEN, WICHITA, KANSAS	SHEET <b>3</b>
	DESIGN	DRAWN AEE	FILE PPS-1101		DATE 07-15-03

p-olan.dwg Fri Aug 01 11:58:31 2003 Agrom Ean Beyane