

1	2	3	4	5	6	7	8	9	10	11	12	13	14	15	16	17	18	19	20	21	22	23	24	25	26	27	28	29	30	31	32	33	34	35	36	37	38	39	40	41	42	43	44	45	46	47	48	49	50	
COLOR	1	2	3	4	5	6	7	8	9	10	11	12	13	14	15	16	17	18	19	20	21	22	23	24	25	26	27	28	29	30	31	32	33	34	35	36	37	38	39	40	41	42	43	44	45	46	47	48	49	50
PRINT	1	2	3	4	5	6	7	8	9	10	11	12	13	14	15	16	17	18	19	20	21	22	23	24	25	26	27	28	29	30	31	32	33	34	35	36	37	38	39	40	41	42	43	44	45	46	47	48	49	50
SCALE	1	2	3	4	5	6	7	8	9	10	11	12	13	14	15	16	17	18	19	20	21	22	23	24	25	26	27	28	29	30	31	32	33	34	35	36	37	38	39	40	41	42	43	44	45	46	47	48	49	50
PLOTTING GUIDE	1	2	3	4	5	6	7	8	9	10	11	12	13	14	15	16	17	18	19	20	21	22	23	24	25	26	27	28	29	30	31	32	33	34	35	36	37	38	39	40	41	42	43	44	45	46	47	48	49	50

BENCH MARKS:

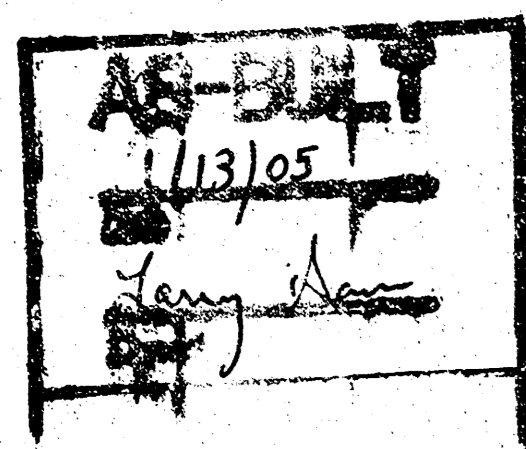
CITY OF WICHITA BENCHMARK DISC -
 CHISELED ON TOP OF CURB
 62.41' WSW OF CENTER OF SANITARY SEWER MANHOLE
 89.61' SSW OF CENTER OF STORM WATER SEWER MANHOLE
 170.28' E OF CENTER OF LIGHTPOLE BASE
 ELEV. = 171.20 CITY DATUM

STORM WATER SEWER TO SERVE KELLOGG PLACE SECOND ADDITION

LOT 3, BLK. A
 PRIVATE PROJECT NUMBER: 1465 PPS (607861)
 CITY OF WICHITA, KANSAS
 JIM ARMOUR, P.E. INTERIM CITY ENGINEER
 AUGUST 2004

INDEX

COVER SHEET	1
STORM SEWER PLAN & PROFILE LINES 1 & 2	2
STORM SEWER PLAN & PROFILE LINE 3	3
DETAIL	4
DETAIL	5
DETAILS	6



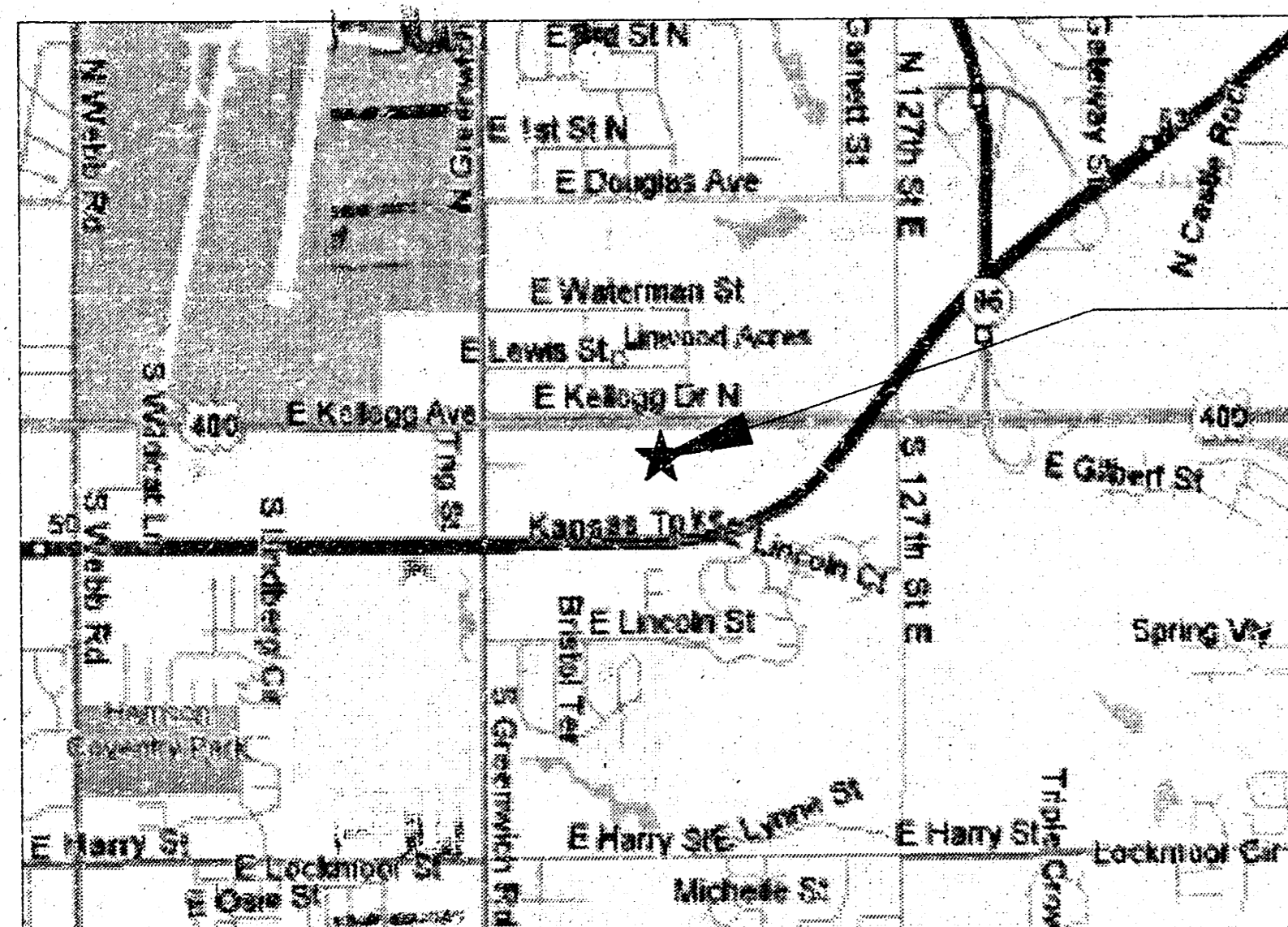
APPROVED AS NOTED
 BY CITY ENGINEER OF WICHITA

STORM SEWERS VRH 8/25/04

NOTE TO CONTRACTORS

INSTALLATION, INSPECTION AND TESTING FOR THIS PROJECT IS TO BE PROVIDED BY A LICENSED CONSULTING ENGINEERING FIRM UNDER CONTRACT WITH THE OWNER/DEVELOPER. SAID INSPECTION TO BE IN ACCORDANCE WITH THE CITY OF WICHITA STANDARD CONSTRUCTION ENGINEERING PRACTICES AND CERTIFIED BY A LICENSED PROFESSIONAL ENGINEER. NO WORK SHALL BE PERFORMED IN DEDICATED EASEMENTS OR PUBLIC RIGHT-OF-WAY BY THE CONTRACTOR WITHOUT SUCH INSPECTION NOR SHALL ANY WORK BE COMMENCED WITHOUT WRITTEN AUTHORIZATION BY THE CITY ENGINEER. ALL CONSTRUCTION AND MATERIALS SHALL COMPLY WITH THE CITY OF WICHITA SPECIFICATIONS AND STANDARDS (ON FILE AND AVAILABLE IN THE CITY ENGINEER'S OFFICE).

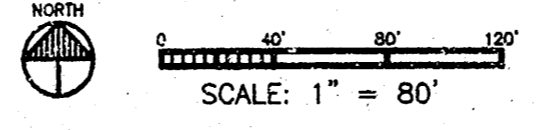
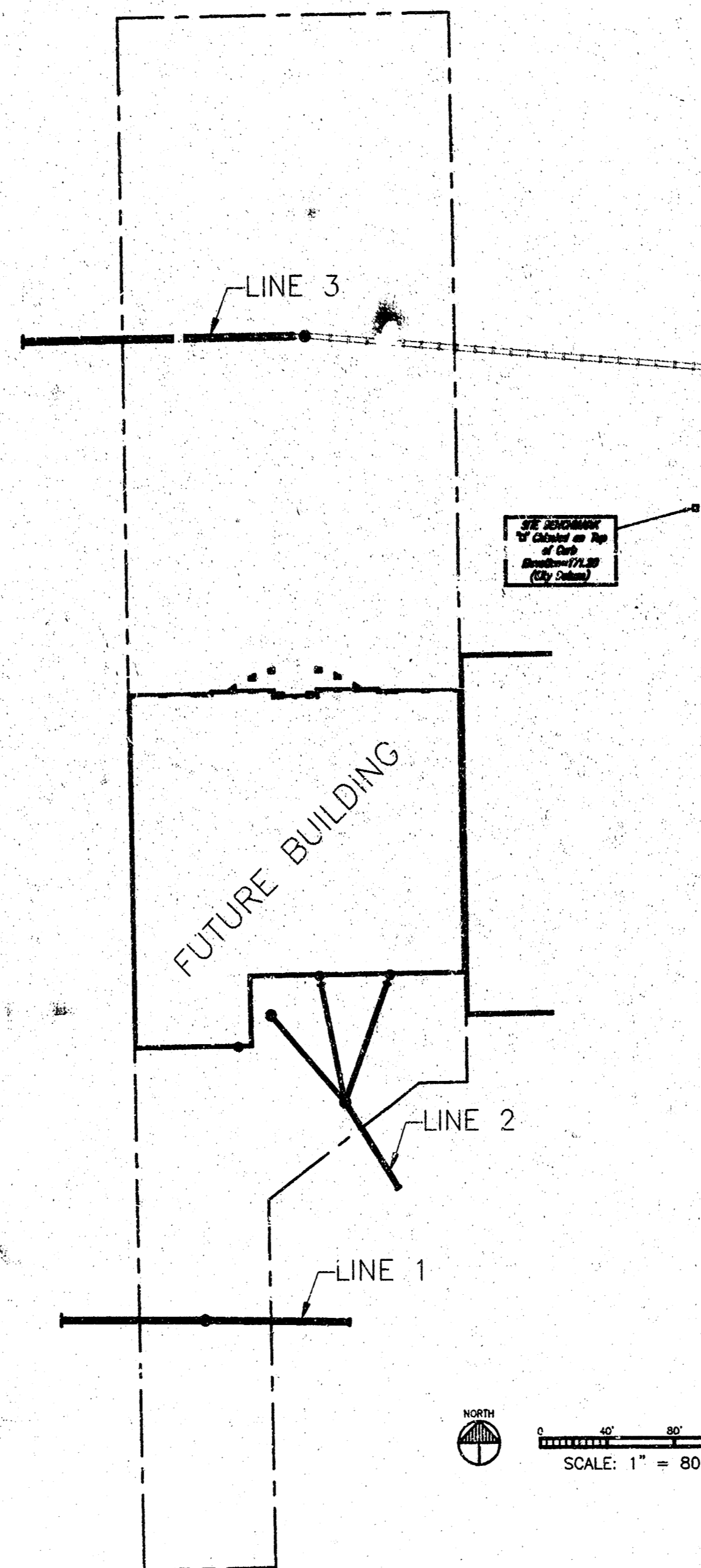
LOCATION MAP



SITE

CONTRACTOR SHALL FOLLOW ALL APPLICABLE BEST MANAGEMENT PRACTICES (BMP) FOR EROSION CONTROL, SEE SHEET 6

KANSAS TURNPIKE AUTHORITY CONDEMNATION CASE A-54126



GENERAL NOTES

- ALL EXISTING INFORMATION TAKEN FROM SURVEY BY BISHART COMPANY P.A. DATED FEBRUARY 24, 2004 AND REVISED APRIL 5, 2004.
- SUBSURFACE GEOTECHNICAL INVESTIGATION BY TERRACON JOB NUMBER 01045068, DATED APRIL 21, 2004.
- CONTRACTOR TO FIELD VERIFY ALL EXISTING CONDITIONS INCLUDING LOCATIONS OF EXISTING UTILITIES, AND NOTIFY ENGINEER OF ANY DISCREPANCIES PRIOR TO STARTING CONSTRUCTION.
- CONTRACTOR TO PREVENT DIRT AND/OR DEBRIS FROM ENTERING STORM SEWER OR BEING TRANSPORTED OFF-SITE IN AN UNCONTROLLED MANNER. CONTRACTOR TO VERIFY AT PROJECT CLOSEOUT THAT STORM SEWER SYSTEM IS CLEAR OF SEDIMENT AND/OR DEBRIS AND IS FULLY FUNCTIONAL.
- ALL AREAS DISTURBED BY CONSTRUCTION WHICH ARE OUTSIDE THE LIMITS OF PAVING ARE TO BE RESTORED AND REVEGETATED.
- CONTRACTOR TO PROVIDE TEMPORARY GRAVEL CONSTRUCTION ENTRANCE AT ALL CONSTRUCTION ACCESS LOCATIONS. SEE DETAIL 4/6.
- ALL EROSION CONTROL ELEMENTS ARE TEMPORARY. CONTRACTOR TO INSTALL EROSION CONTROL ELEMENTS PRIOR TO START OF LAND DISTURBING ACTIVITIES. MAINTAIN IN GOOD CONDITION DURING CONSTRUCTION AND REMOVE FROM THE SITE UPON COMPLETION OF FINAL PAVING AND TURF ESTABLISHMENT.
- CONTRACTOR TO INSTALL SILT FENCE OR STRAWBALES AROUND ALL EXISTING INLETS AND MANHOLES PRIOR TO THE START OF LAND DISTURBING ACTIVITIES AND AROUND ALL NEW CATCHBASINS AND MANHOLES AFTER THEY ARE INSTALLED. SEE DETAIL 1/6 AND 3/6.
- ALL UTILITY DEMOLITION AND/OR ABANDONMENT TO BE PERFORMED IN ACCORDANCE WITH CITY OF WICHITA AND STATE OF KANSAS REGULATIONS AND STANDARDS.
- EXISTING UTILITIES ARE SHOWN IN THEIR APPROXIMATE LOCATIONS. CONTRACTOR TO FIELD VERIFY THE LOCATION OF ALL EXISTING UTILITIES WHICH MAY INCLUDE BUT IS NOT LIMITED TO: ELECTRIC, TELEPHONE, GAS, CABLE TV, COMPUTER CABLE, FIBER OPTIC, CABLE, SANITARY SEWER, STORM SEWER AND WATER MAIN. CONTRACTOR TO CONTACT UTILITY LOCATOR BEFORE EXCAVATING.
- ALL EXISTING UTILITIES AND OTHER IMPROVEMENTS ARE TO REMAIN UNLESS NOTED OTHERWISE.
- CONTRACTOR TO PROTECT FROM DAMAGE ALL EXISTING IMPROVEMENTS, LANDSCAPING, STRUCTURES AND UTILITIES THAT ARE TO REMAIN. CONTRACTOR TO REPAIR ANY DAMAGE AT OWN EXPENSE.
- CONTRACTOR TO FIELD VERIFY THE EXACT LOCATION AND ELEVATION OF EXISTING STORM AND SANITARY SEWER PRIOR TO THE START OF CONSTRUCTION.
- SEE ARCHITECTURAL FOR DIMENSIONED SITE LAYOUT, FENCING, STRIPING AND LANDSCAPING. SEE ELECTRICAL FOR SITE LIGHTING.
- CONTRACTOR TO PROVIDE TEMPORARY SEED AND MULCH ON ALL NON-PAVED AREAS WITHIN 7 DAYS AFTER ROUGH GRADING IS COMPLETED. SEED WITH ANNUAL RYE SEED AT 60 LB. PER ACRE AND WOOD MULCH FIBER AT 45 LBS PER 1,000 SF.
- PROVIDE PERMANENT SEEDING, FERTILIZING AND MULCH OVER ALL DISTURBED AREAS OUTSIDE THE LIMITS OF PAVING PER CITY OF WICHITA AND/OR KANSAS DOT SPECIFICATION.
- PROVIDE THE FOLLOWING MINIMUM COVER OVER THE TOP OF PIPE AS FOLLOWS:
 A. 42" OVER WATER MAIN
 B. 1' OVER STORM SEWER
- ALL WORK TO CONFORM WITH CITY OF WICHITA AND STATE OF KANSAS STANDARDS AND REGULATIONS.
- ALL EXCAVATIONS MUST COMPLY WITH THE REQUIREMENTS OF OSHA 29 CFR, PART 1926, SUBPART P "EXCAVATIONS AND TRENCHES". THIS DOCUMENT STATES THAT EXCAVATION SAFETY IS THE SOLE RESPONSIBILITY OF THE CONTRACTOR.
- INLETS AND MANHOLES ARE SHOWN ON PLAN LARGER THAN ACTUAL SIZE. COORDINATE LOCATION OF MANHOLE COVER AND CASTING SO THAT IT IS PROPERLY LOCATED AT THE BACK OF CURBLINE FOR THE CURB INLETS OR CENTERED IN THE AREA AS SHOWN ON THE PLAN FOR THE AREA DRAINS AND MANHOLE COVERS.
- REMOVE ALL SOILS AND SEDIMENTS TRACKED OR OTHERWISE DEPOSITED ONTO PUBLIC AND PRIVATE PAVEMENT AREAS. REMOVAL SHALL BE ON A DAILY BASIS THROUGHOUT THE DURATION OF THE CONSTRUCTION. CLEAN PAVED ROADWAYS BY SHOVELING OR SWEEPING. STREET WASHING IS ALLOWED ONLY AFTER SHOVELING OR SWEEPING HAS REMOVED SEDIMENT. SEE CITY OF WICHITA STANDARDS.
- CONTRACTOR WILL BE REQUIRED TO PROVIDE NOTICE TO UTILITY COMPANIES A MINIMUM OF FORTY-EIGHT (48) HOURS PRIOR TO ANY EXCAVATION AS FOLLOWS:
 KANSAS ONE-CALL 687-2470
 THE CONTRACTOR MUST NOTIFY THE FOLLOWING IN CASE OF AN EMERGENCY:
 COX COMMUNICATIONS 262-4270
 KANSAS GAS SERVICE COMPANY 1-888-482-4950
 WESTAR ENERGY (ELECTRIC) 383-8650
 AQUILA ENERGY (GAS) 1-800-303-0357
 SOUTHWESTERN BELL TELEPHONE CO. 1-800-286-8313
 CITY OF WICHITA WATER DEPT. (WATER) 286-4908
 CITY OF WICHITA SEWER MAINT. (SS) 286-4024
 CITY OF WICHITA STORM SEWER MAINT. 286-4090
 CITY OG WICHITA TRAFFIC MAINT. 268-4034
- CONTRACTOR SHALL NOT START WORK ON THE PROJECT UNTIL THE PROJECT INSPECTOR IS ASSIGNED TO THE PROJECT AND IS PRESENT ON SITE. CONTRACTOR SHALL NOT START THE PROJECT UNTIL ALL NECESSARY BONDS AND PERMITS HAVE BEEN OBTAINED. BONDS MAY INCLUDE BUT ARE NOT LIMITED TO STATUTORY, PERFORMANCE & MAINTENANCE FOR AREAS IN PUBLIC RIGHT-OF-WAY AND EASEMENT. FOR PROJECTS WITHIN THE CITY OF WICHITA CONTACT TOM MASON (268-4547) ANY WORK DONE WITHOUT INSPECTION WILL BE REQUIRED TO BE UNCOVERED FOR INSPECTION.
- RUBBLE FROM THE REMOVAL OF MISCELLANEOUS STRUCTURES AND EXCESS EXCAVATION WHICH IS TO BE WASTED SHALL BE DISPOSED OF ON SITES TO BE PROVIDED BY THE CONTRACTOR. THESE SITES SHALL BE APPROVED BY THE ENGINEER AS TO SUITABILITY, APPEARANCE AND SITE LOCATION. LOCATIONS THAT, IN THE OPINION OF THE ENGINEER, WILL LEAVE AN UNSIGHTLY APPEARANCE WILL NOT BE APPROVED. ALL DISPOSAL SITES MUST BE APPROVED BY THE KANSAS DEPARTMENT OF HEALTH AND ENVIRONMENT. MATERIALS EITHER STOCKPILED OR DISPOSED OF IN A FLOOD PLAIN WOULD REQUIRE A KANSAS STATE BOARD OF AGRICULTURE PERMIT. ANY MATERIAL DUMPED IN WATER OF THE UNITED STATES OR WETLANDS IS SUBJECT TO U.S. CORPS. OF ENGINEERS PERMITTING REGULATIONS. ANY MATERIAL BURIED OR STOCKPILED BEYOND APPROVED CONSTRUCTION LIMITS WOULD REQUIRE ADDITIONAL ARCHAEOLOGICAL INVESTIGATION UNLESS BURIED IN A PREVIOUSLY APPROVED BORROW LOCATION.
- THE CONSULTANT ENGINEER SHALL DOCUMENT CONSTRUCTION WITH FINAL RECORD DRAWINGS. FINAL RECORD (AS-BUILT) INFORMATION MAY BE ADDED TO THE ORIGINAL SIGNED MYLAR PLANS. ADD INFORMATION INCLUDING THE SIZE, MAKE, AND READING OF ALL METERS. ONE SET OF MYLAR FINAL RECORD PLANS SHALL BE SUBMITTED ALONG WITH THE FOLLOWING NUMBER OF FULL-SIZED COPIES:
 WATER LINES 1
 SANITARY SEWERS 3
 STORM DRAINS 1
 SANITARY/STORM (TOGETHER) 3
 PAVING 2

PATRICK G. BLEES

ARCHITECTURE PLANNING DESIGN
 PATRICK G. BLEES, AIA
 NORTHWESTERN BUILDING
 219 N. 2ND ST., SUITE 301
 MINNEAPOLIS, MN 55401
 PHONE: (612) 338-6877
 FAX: (612) 338-2995
 E-MAIL: info@cmarch.com
 CONTACT: GARY FAGERSTROM

CONSULTANTS:

CIVIL ENGINEER
 VAN SICKLE ALLEN AND ASSOC
 2855 XENIUM LN N, SUITE 10
 PLYMOUTH, MN 55441
 763-577-9118
 THOMAS MADIGAN

STRUCTURAL ENGINEER
 VAN SICKLE ALLEN AND ASSOC
 2855 XENIUM LN N, SUITE 10
 PLYMOUTH, MN 55441
 763-577-9105
 KEITH JACOBSON

LANDSCAPE ARCHITECT
 WESTWOOD PROF. SERVICES, INC.
 1809 ANAGRAM DRIVE
 EDEN PRAIRIE, MN 55344
 952-937-5150
 DAN SJORDAL

SEAL:



slumberland

ONE KELLOGG PLACE
 2ND ADDITION
 LOT 3, BLOCK A
 11777 E KELLOGG
 WICHITA, KS 67207

SHEET TITLE:

COVER SHEET

REVISIONS:

NO:	DATE:	BY:
1	05-07-04	RME
2	06-10-04	PME
3	06-30-04	RME
4	08-09-04	CITY
5	08-20-04	CITY

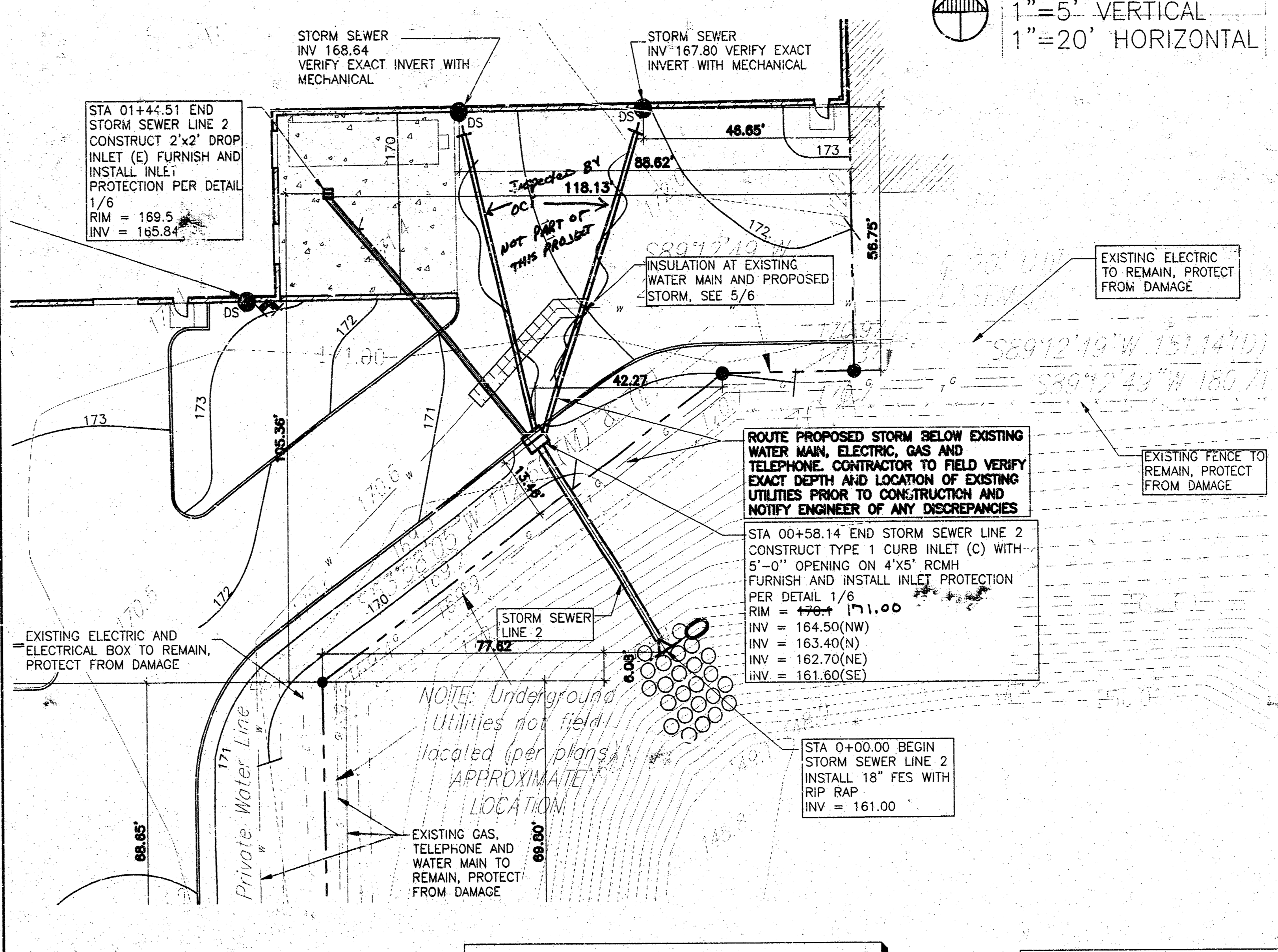
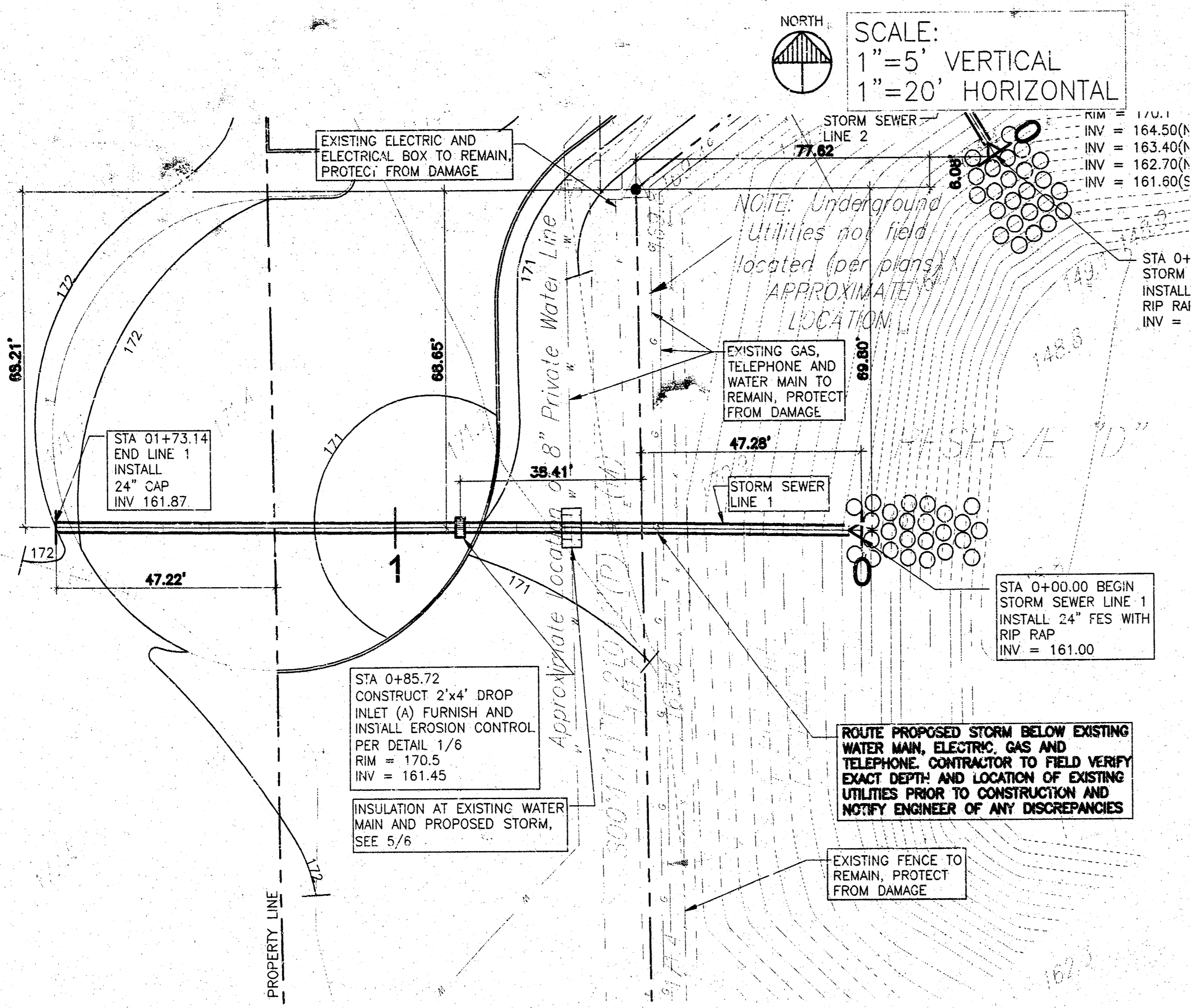
PROJECT NO: 05109-18
 DRAWING DATE: 08-20-04
 DRAWN BY: OAV

1

SHEET 6 OF 6
 FILE: 04059 1

COPYRIGHT PATRICK G. BLEES, AIA 2004

30 29 28 27 26 25 24 23 22 21 20 19 18 17 16 15 14 13 12 11 10 9 8 7 6 5 4 3 2 1

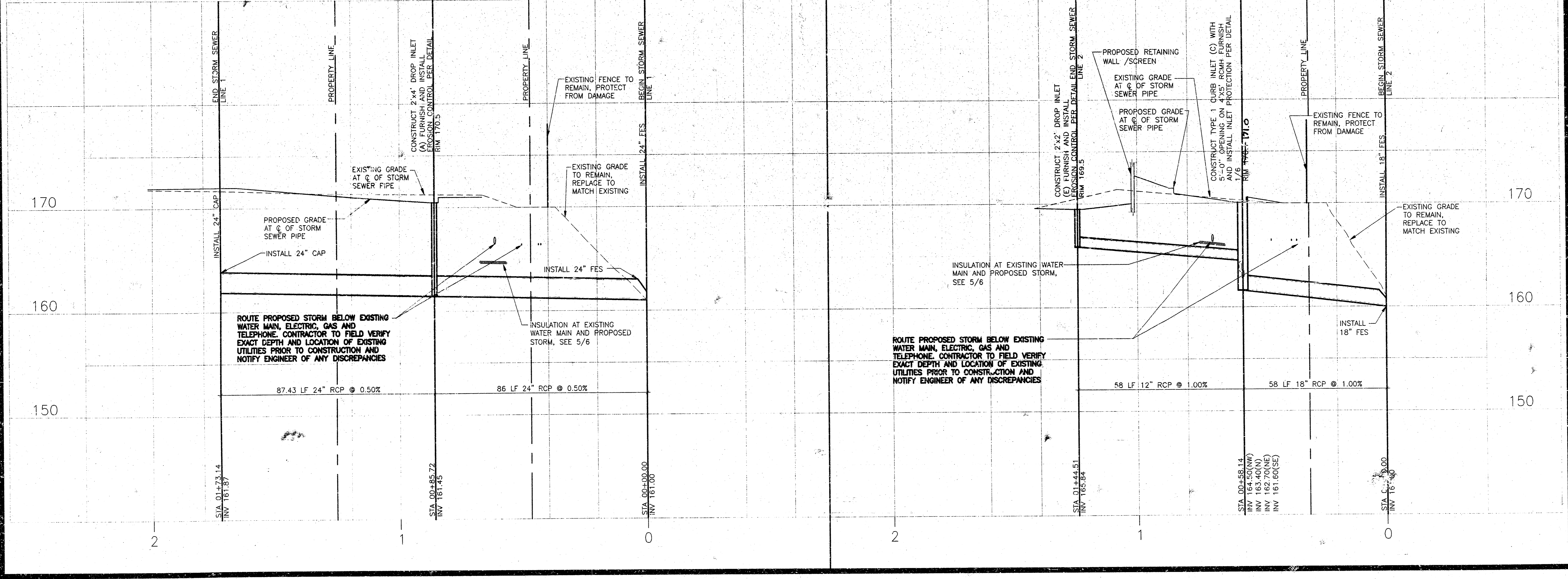


NOTE: CONTRACTOR SHALL TV TEST THIS STORM SEWER LINE.

NOTE: CONTRACTOR SHALL TV TEST THIS STORM SEWER LINE.

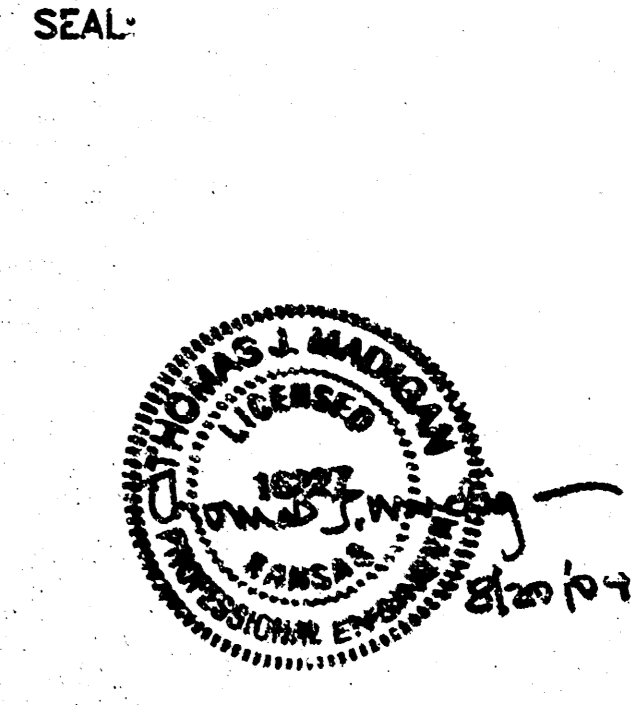
1465 PPS

1465 PPS



PATRICK G. BLEES
ARCHITECTURE PLANNING DESIGN
PATRICK G. BLEES, AIA
NORTHWESTERN BUILDING
719 N. 2ND ST., SUITE 301
MINNEAPOLIS, MN 55401
PHONE: (612) 338-6677
FAX: (612) 338-2995
E-MAIL: info@pmarch.com
CONTACT: CARY FAGERSTROM

CONSULTANTS:
CIVIL ENGINEER
VAN SICKLE ALLEN AND ASSOC
2855 XENIUM LN N, SUITE 10
PLYMOUTH, MN 55441
763-577-9118
THOMAS MADIGAN
STRUCTURAL ENGINEER
VAN SICKLE ALLEN AND ASSOC
2855 XENIUM LN N, SUITE 10
PLYMOUTH, MN 55441
763-577-9105
KETH JACOBSON
LANDSCAPE ARCHITECT
WESTWOOD PROF. SERVICES, INC.
7589 ANAGRAM DRIVE
EDEN PRAIRIE, MN 55344
952-937-5150
DAN SJORDAL



slumberland
ONE KELLOGG PLACE
2ND ADDITION
LOT 3, BLOCK A
11777 E KELLOGG
WICHITA, KS 67207

SHEET TITLE:
STORM SEWER
LINE 1 & LINE 2

REVISIONS:

NO.	DATE:	BY:
1	05-07-04	RME
2	06-10-04	RME
3	06-30-04	RME
4	08-09-04	CITY
5	08-20-04	CITY

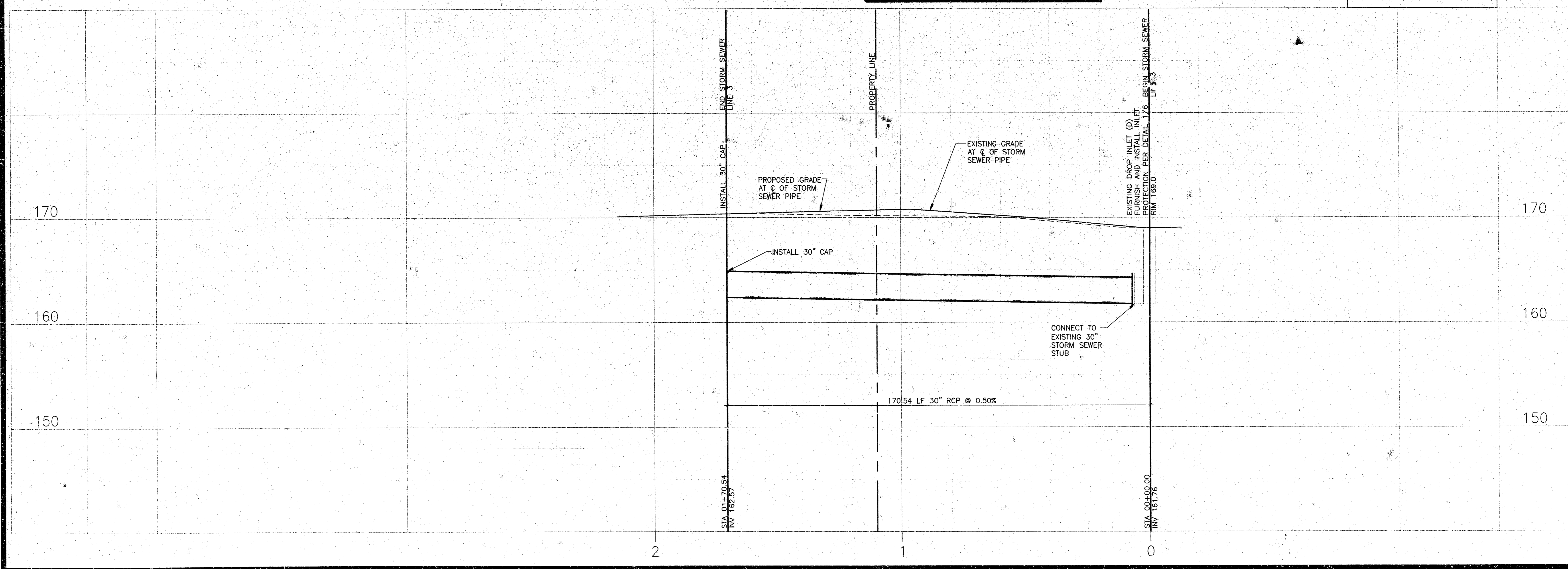
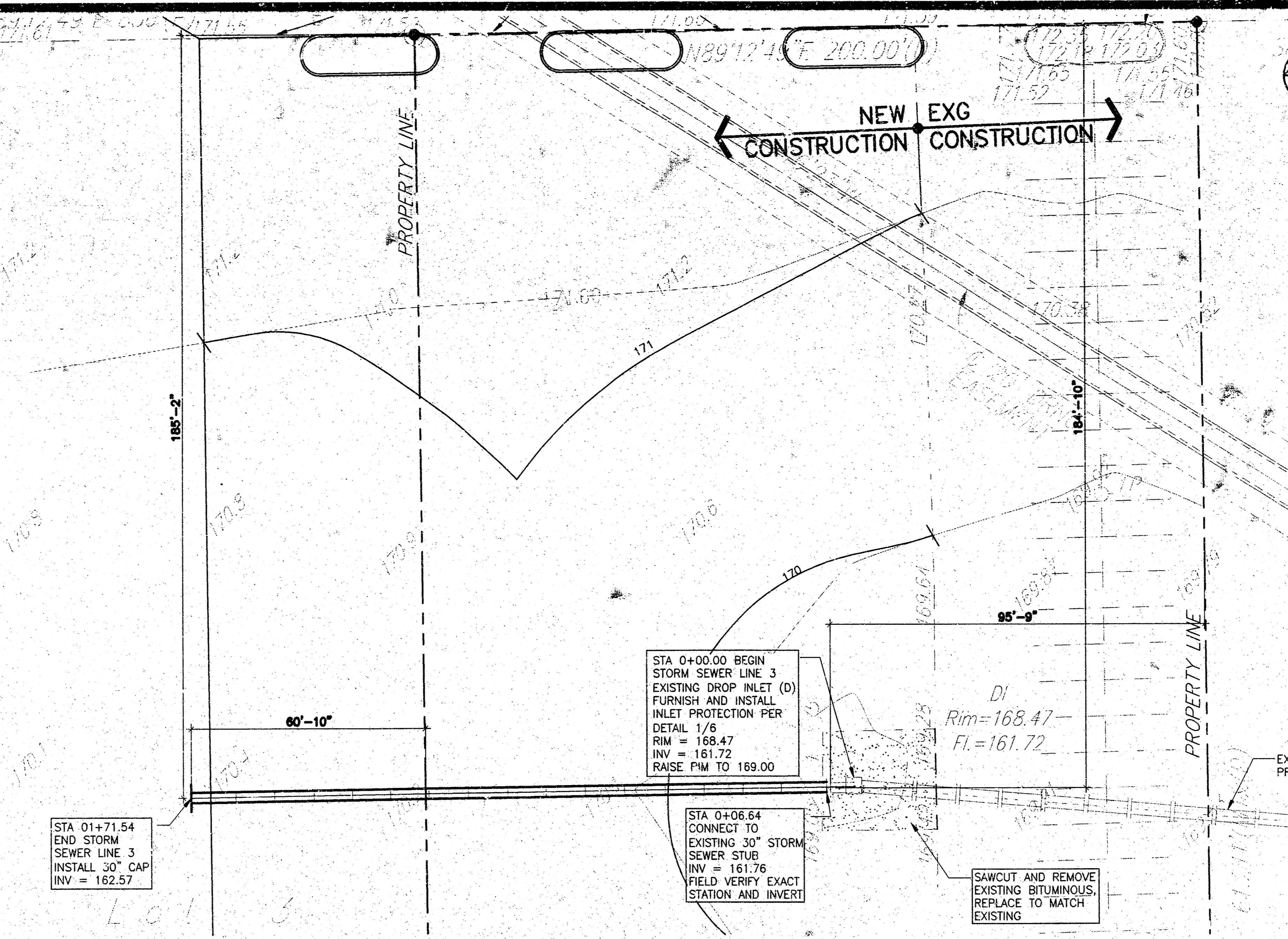
PROJECT NO: 03109-18
DRAWING DATE: 08-20-04
DRAWN BY: GAV

2

SHEET 2 OF 6
FILE: 04059 2-3
COPYRIGHT PATRICK G. BLEES, AIA 2004

COLOR	1	2	3	4	5	6	7	8	9	10	11	12	13	14	15	16
LINE	1	2	3	4	5	6	7	8	9	10	11	12	13	14	15	16
SHADE	1	2	3	4	5	6	7	8	9	10	11	12	13	14	15	16
PLOTTING GUIDE																

NORTH
SCALE:
1"=5' VERTICAL
1"=20' HORIZONTAL



PATRICK G. BLEES

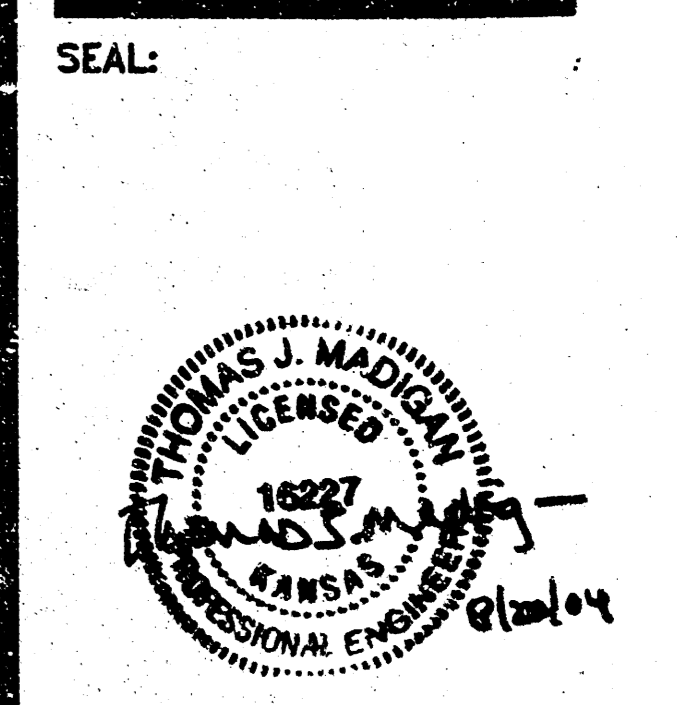
ARCHITECTURE PLANNING DESIGN
PATRICK G. BLEES, AIA
NORTHWESTERN BUILDING
219 N. 2ND ST., SUITE 301
MINNEAPOLIS, MN 55401
PHONE: (612) 338-6677
FAX: (612) 338-2995
E-MAIL: info@cmarch.com
CONTACT: GARY FAGERSTROM

CONSULTANTS:

CIVIL ENGINEER
VAN SICKLE ALLEN AND ASSOC
2955 XENIUM LN N, SUITE 10
PLYMOUTH, MN 55441
763-577-9118
THOMAS MADIGAN

STRUCTURAL ENGINEER
VAN SICKLE ALLEN AND ASSOC
2955 XENIUM LN N, SUITE 10
PLYMOUTH, MN 55441
763-577-9105
KEITH JACOBSON

LANDSCAPE ARCHITECT
WESTWOOD PROF. SERVICES, INC.
7599 ANAGRAM DRIVE
EDEN PRAIRIE, MN 55344
952-937-5150
DAN SJORDAL



slumberland
ONE KELLOGG PLACE
2ND ADDITION
LOT 3, BLOCK A
11777 E KELLOGG
WICHITA, KS 67207

SHEET TITLE:
STORM SEWER
LINE 3

REVISIONS:

NO:	DATE:	BY:
1	05-07-04	RMC
2	06-10-04	RMC
3	06-30-04	RMC
4	08-09-04	CITY
5	08-20-04	CITY

PROJECT NO: 03109-18
DRAWING DATE: 08-20-04
DRAWN BY: OAV

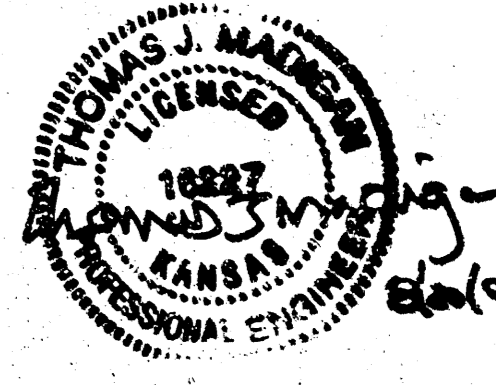
3
SHEET 3 OF 6
FILE: 04059 2-3

COLOR	1	2	3	4	5	6	7	8	9	10	11	12	13	14	15	16	17	18
LINE	1	2	3	4	5	6	7	8	9	10	11	12	13	14	15	16	17	18
SPACE	1	2	3	4	5	6	7	8	9	10	11	12	13	14	15	16	17	18
PLOT GUIDE																		

PATRICK G. BLEES

ARCHITECTURE PLANNING DESIGN
 PATRICK G. BLEES, AIA
 NORTHWESTERN BUILDING
 219 N. 2ND ST., SUITE 301
 MINNEAPOLIS, MN 55401
 PHONE: (612) 338-6677
 FAX: (612) 338-2995
 E-MAIL: info@cmarch.com
 CONTACT: GARY FAGERSTROM

CONSULTANTS:
 CIVIL ENGINEER
 VAN SICKLE ALLEN AND ASSOC
 2955 XENIUM LN N, SUITE 10
 PLYMOUTH, MN 55441
 763-577-9118
 THOMAS MADIGAN
 STRUCTURAL ENGINEER
 VAN SICKLE ALLEN AND ASSOC
 2955 XENIUM LN N, SUITE 10
 PLYMOUTH, MN 55441
 763-577-9105
 KEITH JACOBSON
 LANDSCAPE ARCHITECT
 WESTWOOD PROF. SERVICES, INC.
 7599 ANAGRAM DRIVE
 EDEN PRAIRIE, MN 55344
 952-937-5150
 DAN SJORDAL

SEAL:


slumberland
 ONE KELLOGG PLACE
 2ND ADDITION
 LOT 3, BLOCK A
 11777 E KELLOGG
 WICHITA, KS 67207

SHEET TITLE:
 CITY OF WICHITA
 DROP INLET
 SINGLE & DOUBLE

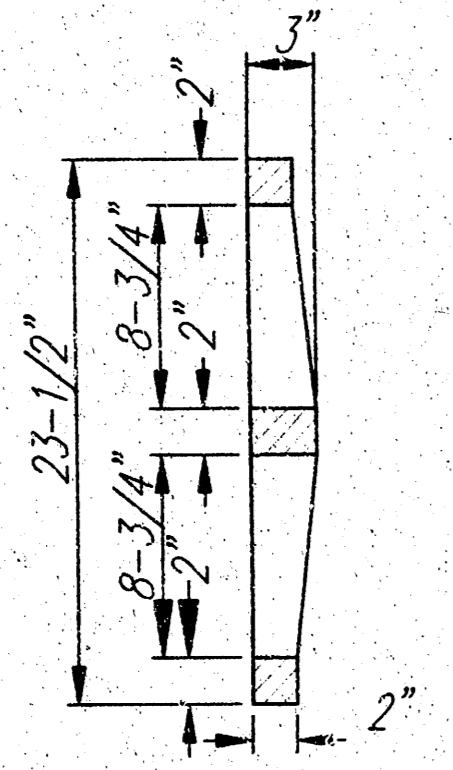
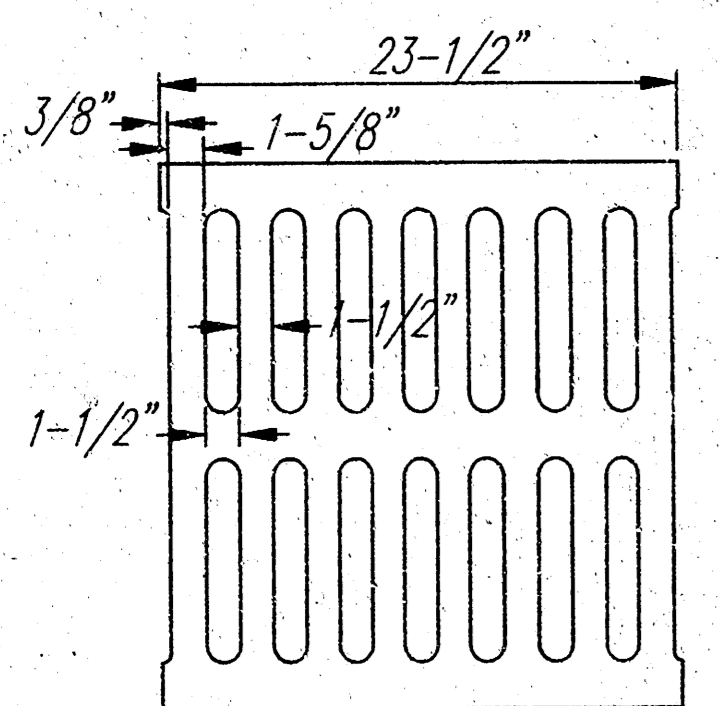
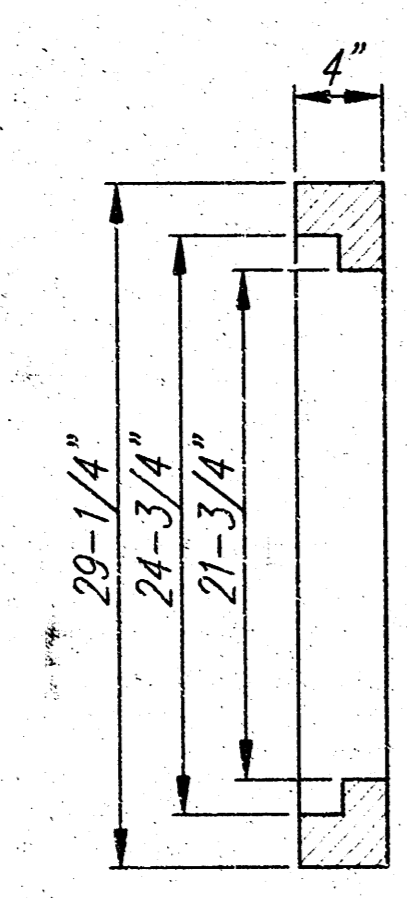
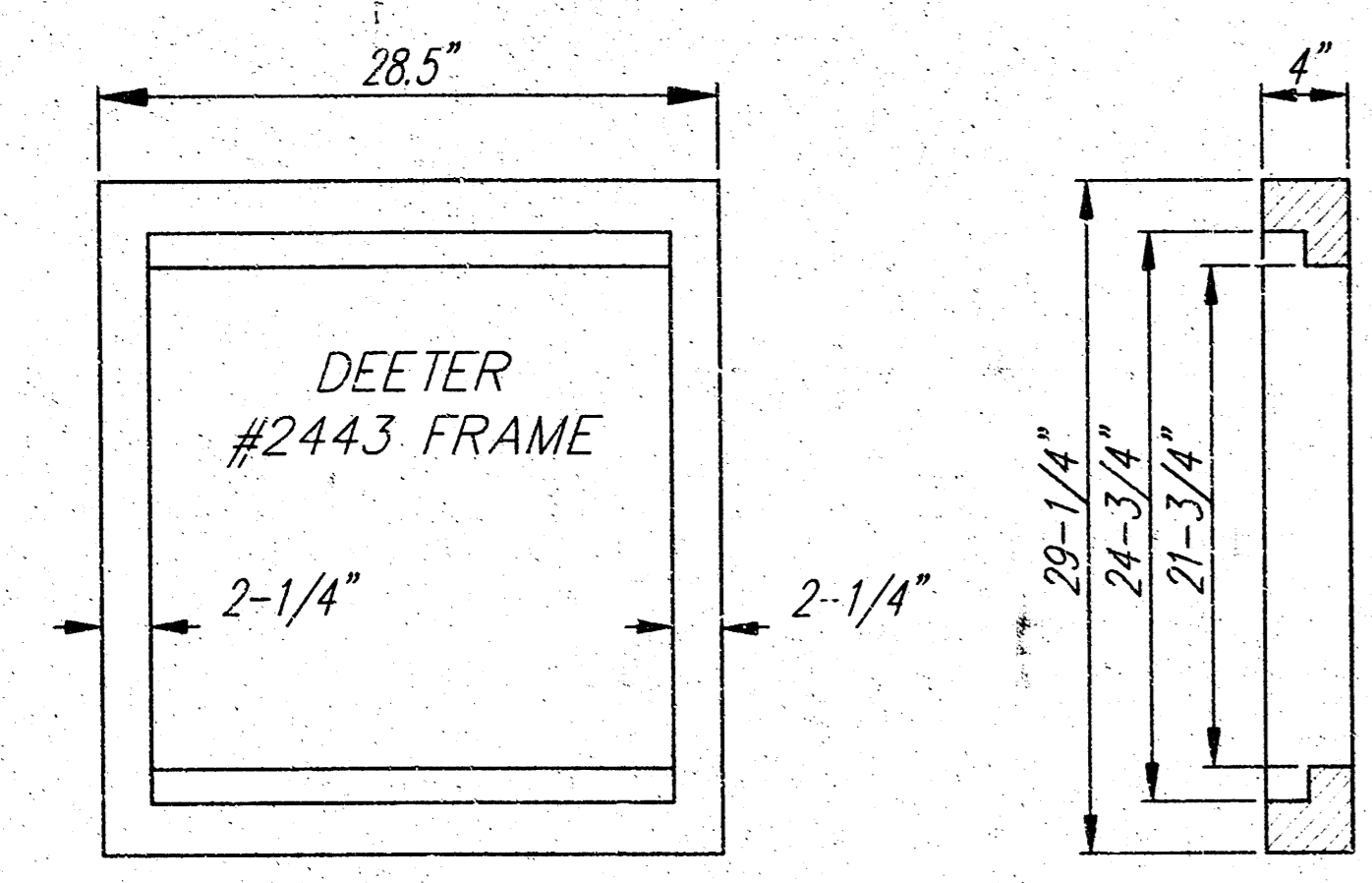
REVISIONS:

NO.	DATE	BY
1	05-07-04	RME
2	06-10-04	RME
3	06-30-04	RME
4	08-09-04	CITY
5	08-20-04	CITY

PROJECT NO: 03109-18
 DRAWING DATE: 08-20-04
 DRAWN BY: QAY

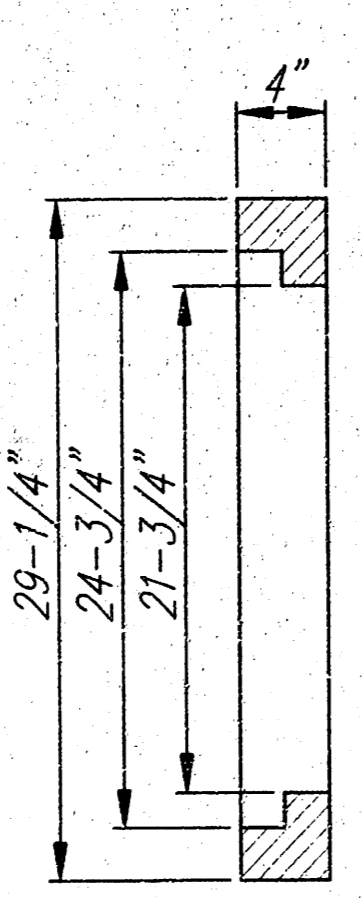
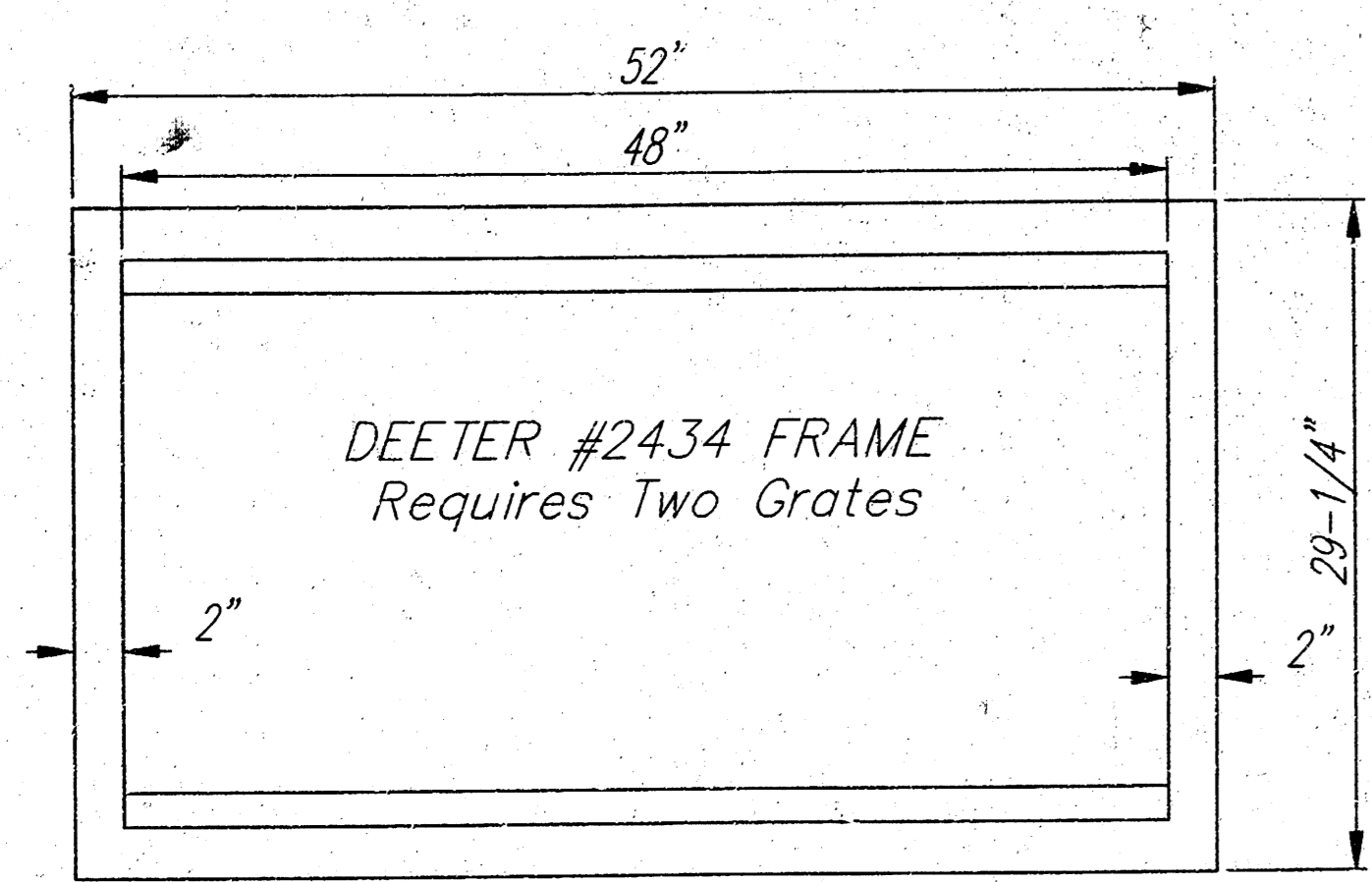
4
 SHEET 4 OF 6
 FILE: 04059-4

COPYRIGHT PATRICK G. BLEES, AIA 2004



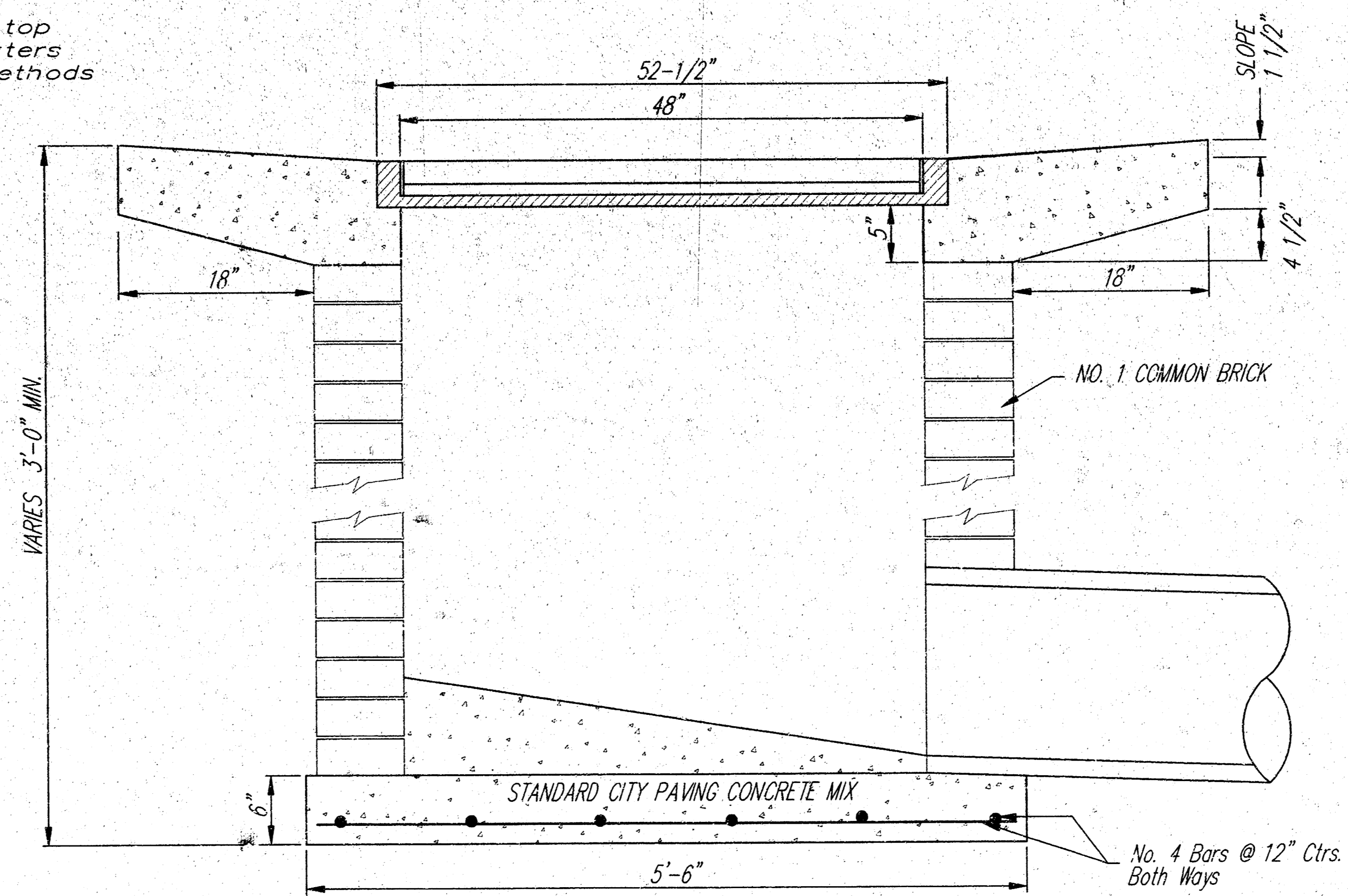
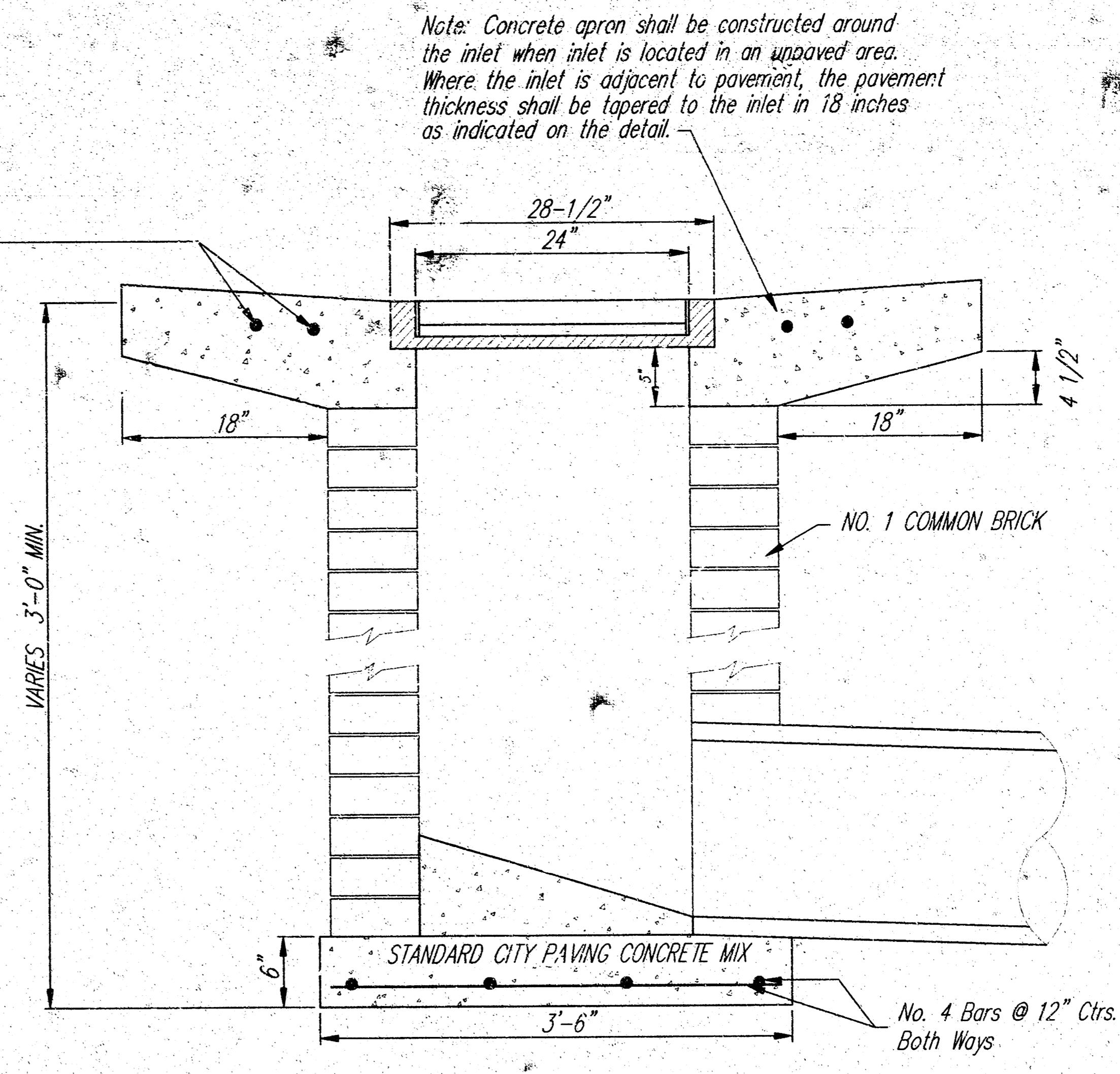
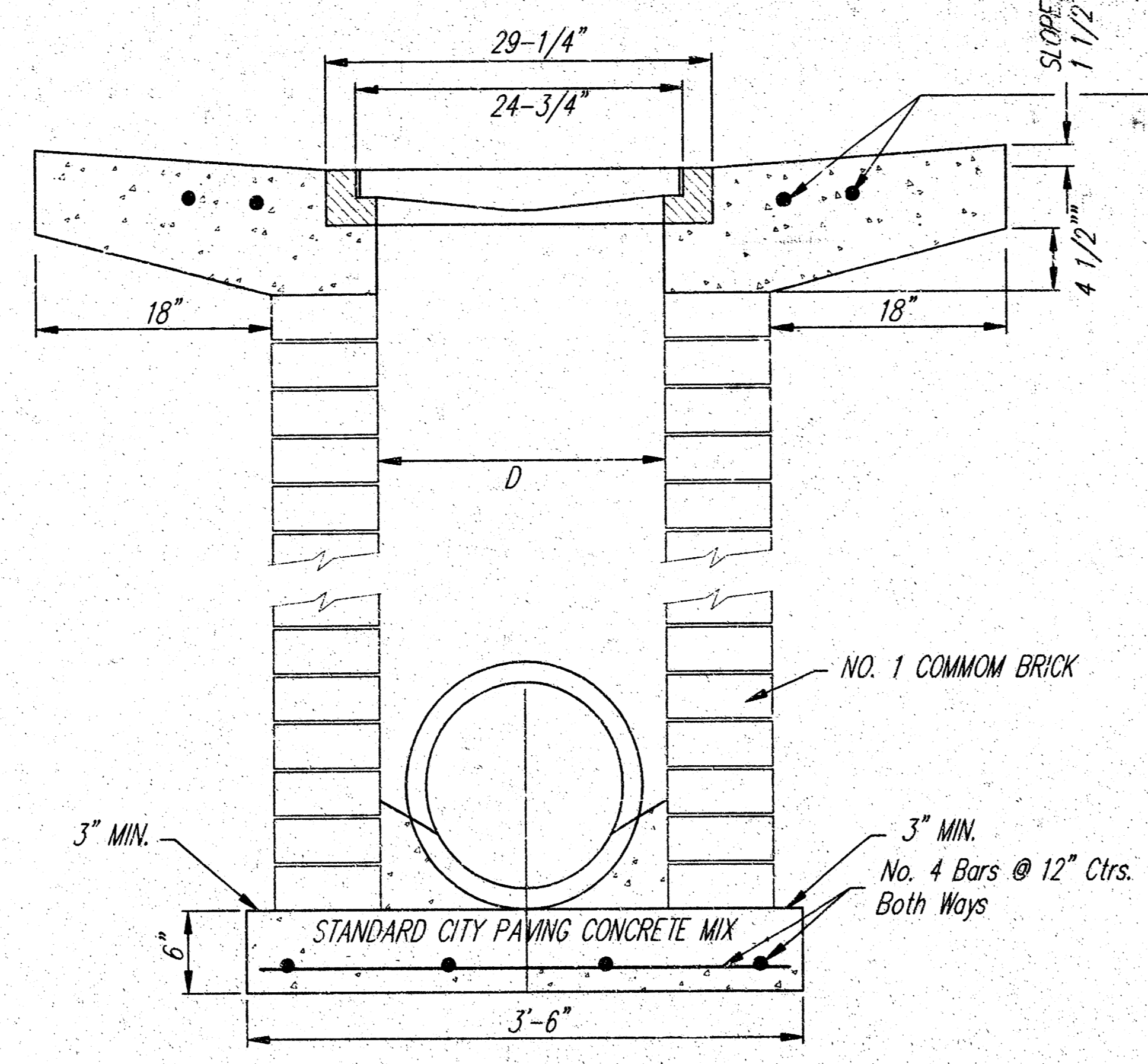
DEETER #2433 GRATE

24" x 24" Frame and Grate Detail



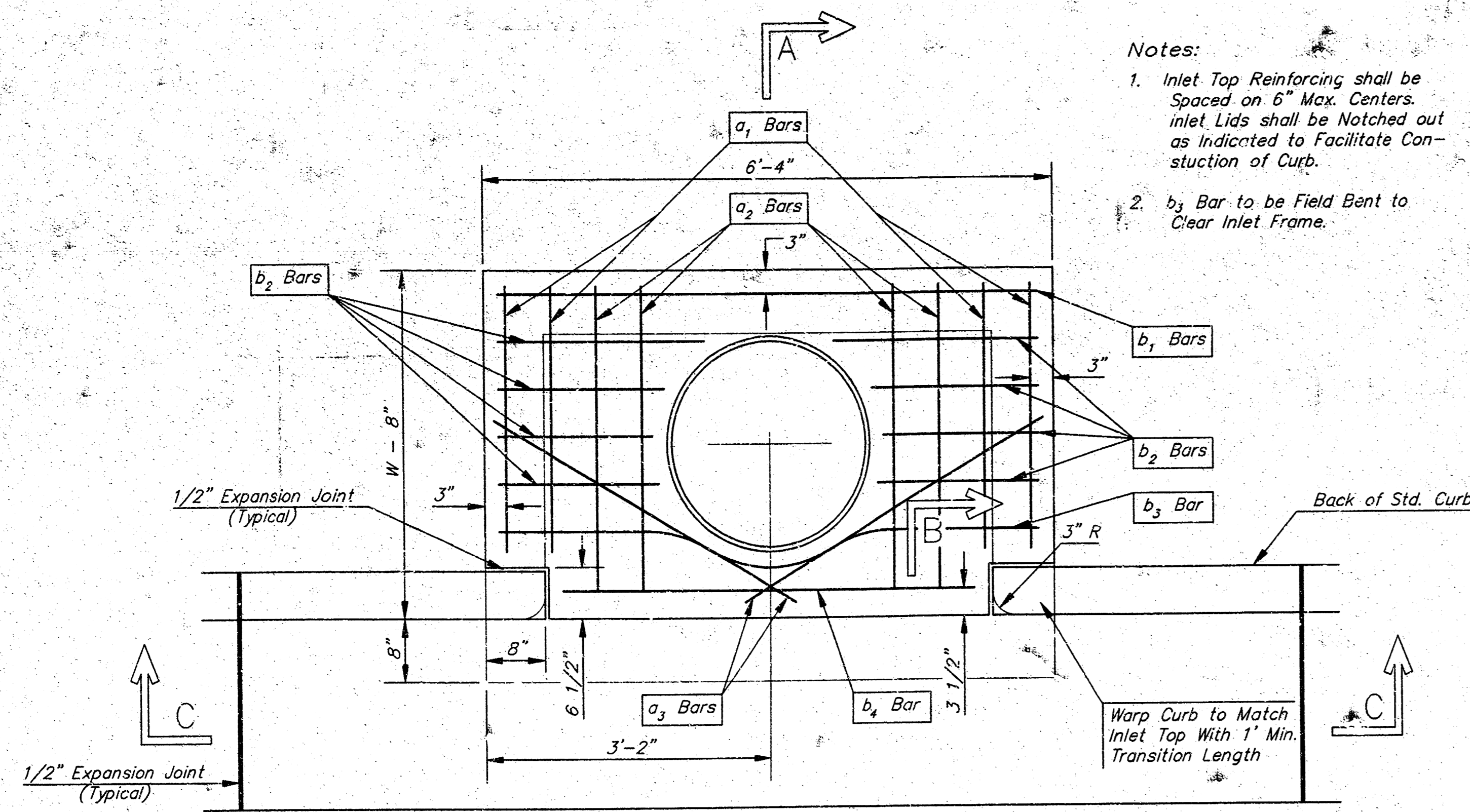
Double 24" x 24" Frame Detail

NOTE: Grates shall be imprinted on the top surface with "CITY OF WICHITA" using letters at least 1" in height. Other marking methods may be approved by the engineer.

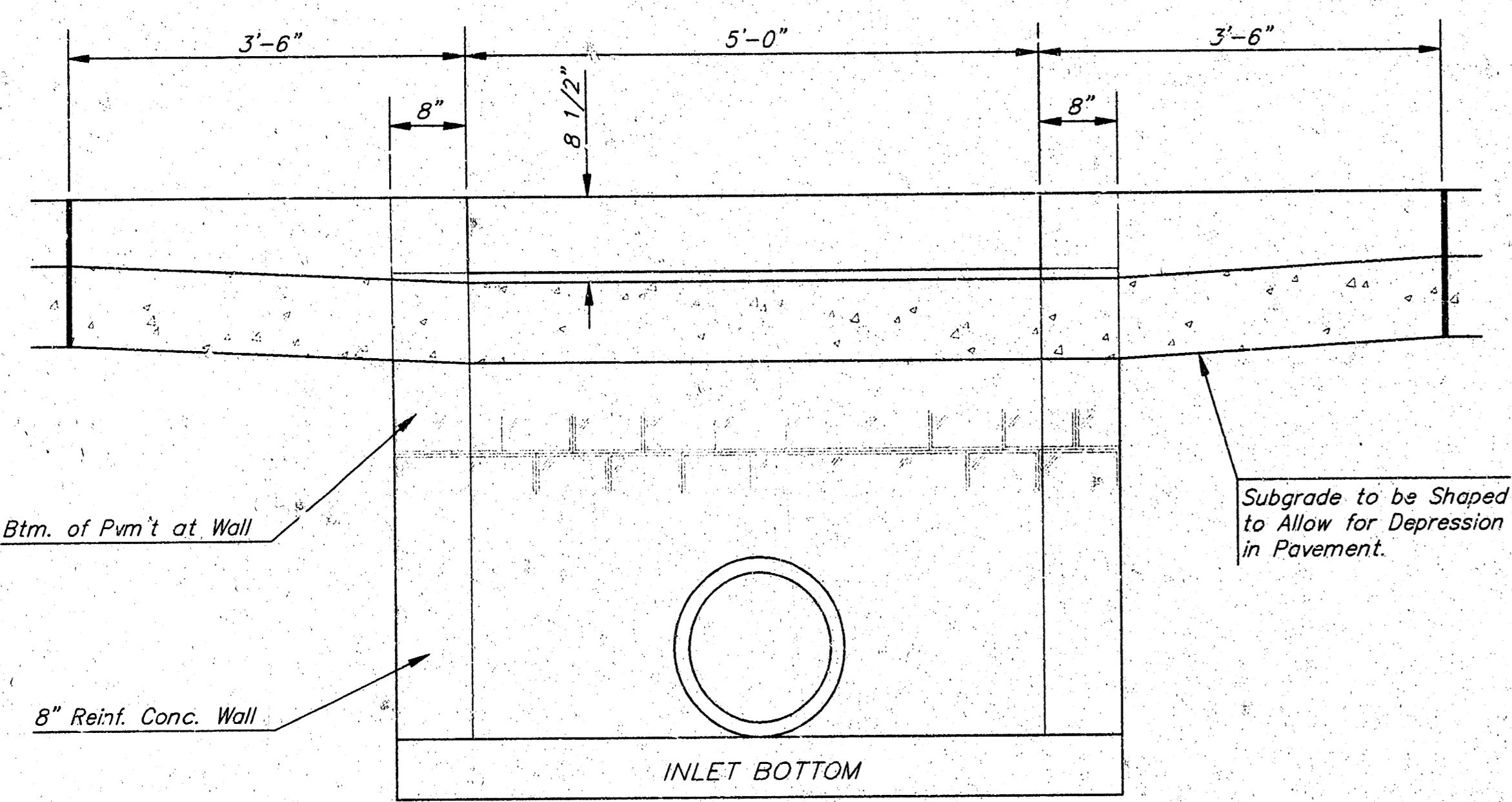


COPYRIGHT PATRICK G. BLEES, AIA 2004

1	2	3	4	5	6	7	8	9	10	11	12	13	14	15
COLOR	PER	SCALE	DATE	BY	CHK	APP	DATE	BY	CHK	APP	DATE	BY	CHK	APP



PLAN



SECTION C-C

STEEL SCHEDULE

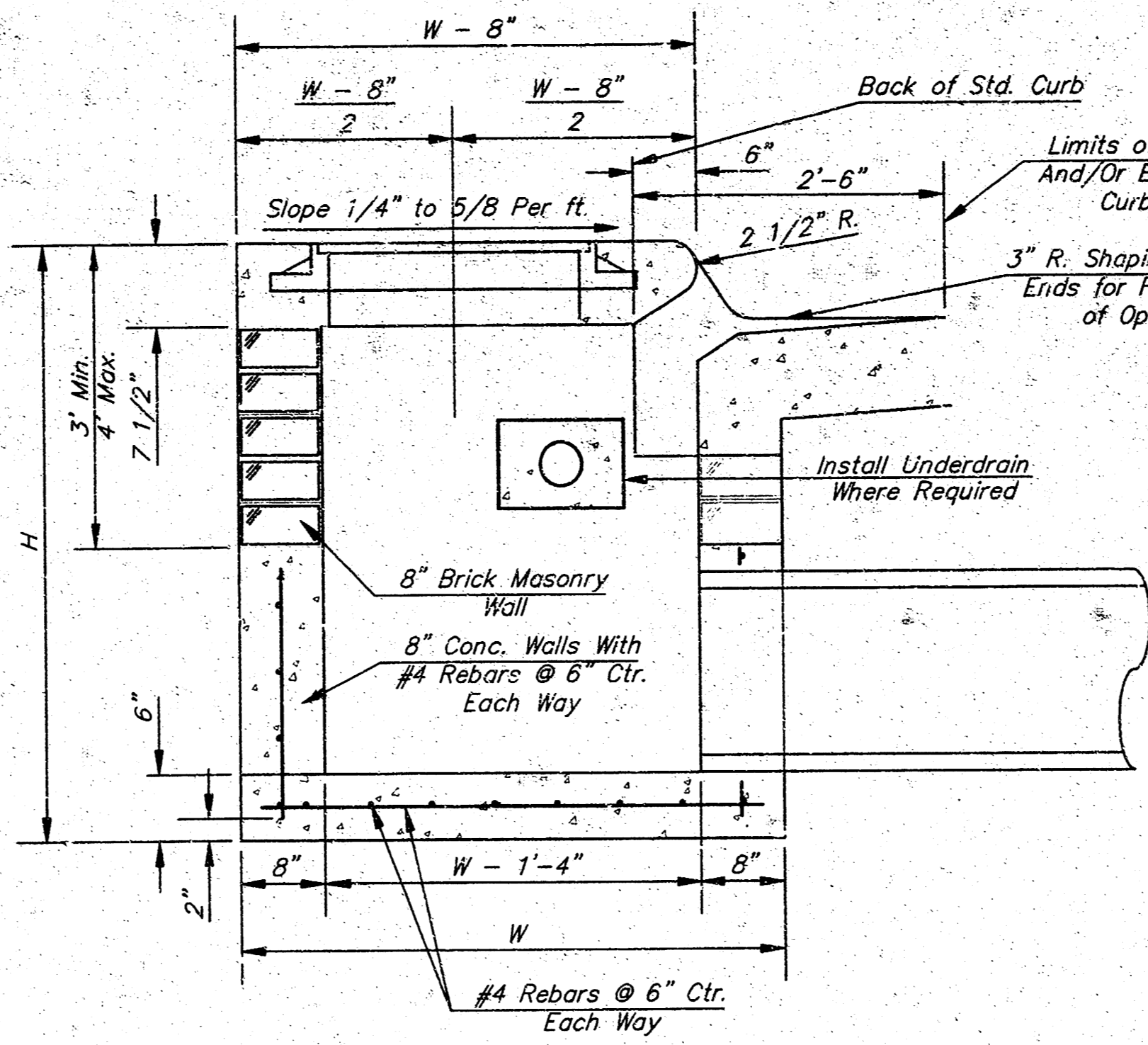
BAR	a ₁				b ₁				b ₂	b ₃	b ₄	WT. Lbs.
	4	4	2	1	3	5	7	9				
NUMBER	4	4	2	1	3	5	7	9	6	1	1	
SIZE	#4	#4	#4	#4	#4	#4	#4	#4	#4	#4	#6	
LENGTH	W=3'-0"	5'-7"	6'-7"	4'-0"	6'-1"	-	-	-	1'-9"	6'-2"	4'-8"	60±
	W=4'-0"	7'-7"	8'-7"	5'-0"	6'-1"	-	-	-	1'-9"	6'-2"	4'-8"	81±
	W=5'-0"	9'-7"	10'-7"	6'-0"	-	6'-1"	-	-	1'-9"	6'-2"	4'-8"	101±
	W=6'-0"	11'-7"	12'-7"	7'-0"	-	-	6'-1"	-	1'-9"	6'-2"	4'-8"	121±
	W=7'-0"	13'-7"	14'-7"	8'-0"	-	-	-	6'-1"	1'-9"	6'-2"	4'-8"	141±

Note: a₃ Bars to be Placed Approx. 2" Below Top of Inlet Cover.

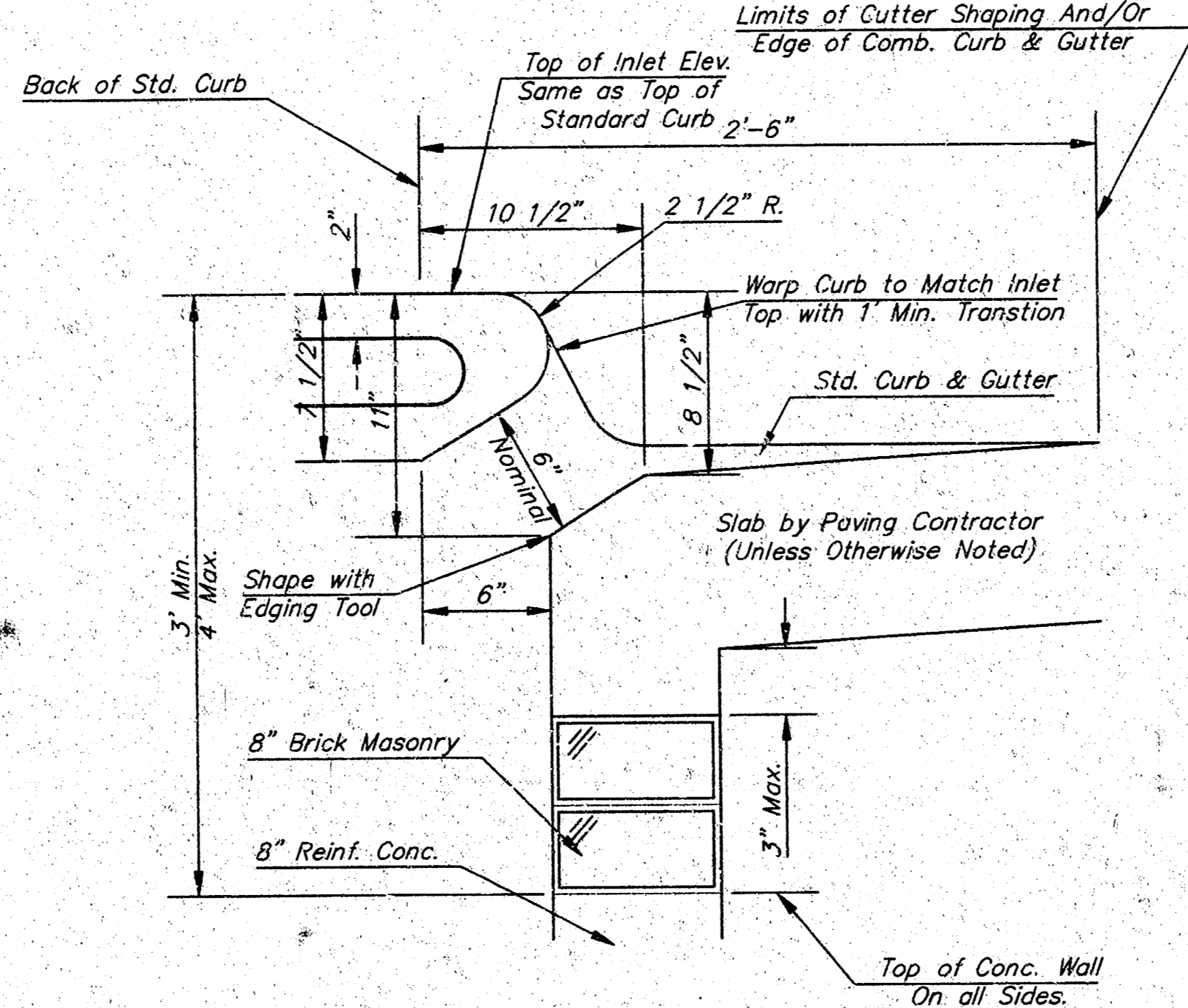
STANDARD CURB INLET PRECAST TOPS

W	PRE-CAST TOP SIZE	PIPE SIZE	CU. YD. CONC.
3'-0"	3'-8" 6'-4" 7 1/2"	21" & SMALLER	0.38±
4'-0"	4'-8" 6'-4" 7 1/2"	24" & 30"	0.51±
5'-0"	5'-8" 6'-4" 7 1/2"	36" & 42"	0.62±
6'-0"	6'-8" 6'-4" 7 1/2"	48" & 54"	0.77±
7'-0"	7'-8" 6'-4" 7 1/2"	60" & 66"	0.90±

- Notes:
- Inlet Top Reinforcing shall be Spaced on 6" Max. Centers. Inlet Lids shall be Notched out as Indicated to Facilitate Construction of Curb.
 - b₁ Bar to be Field Bent to Clear Inlet Frame.



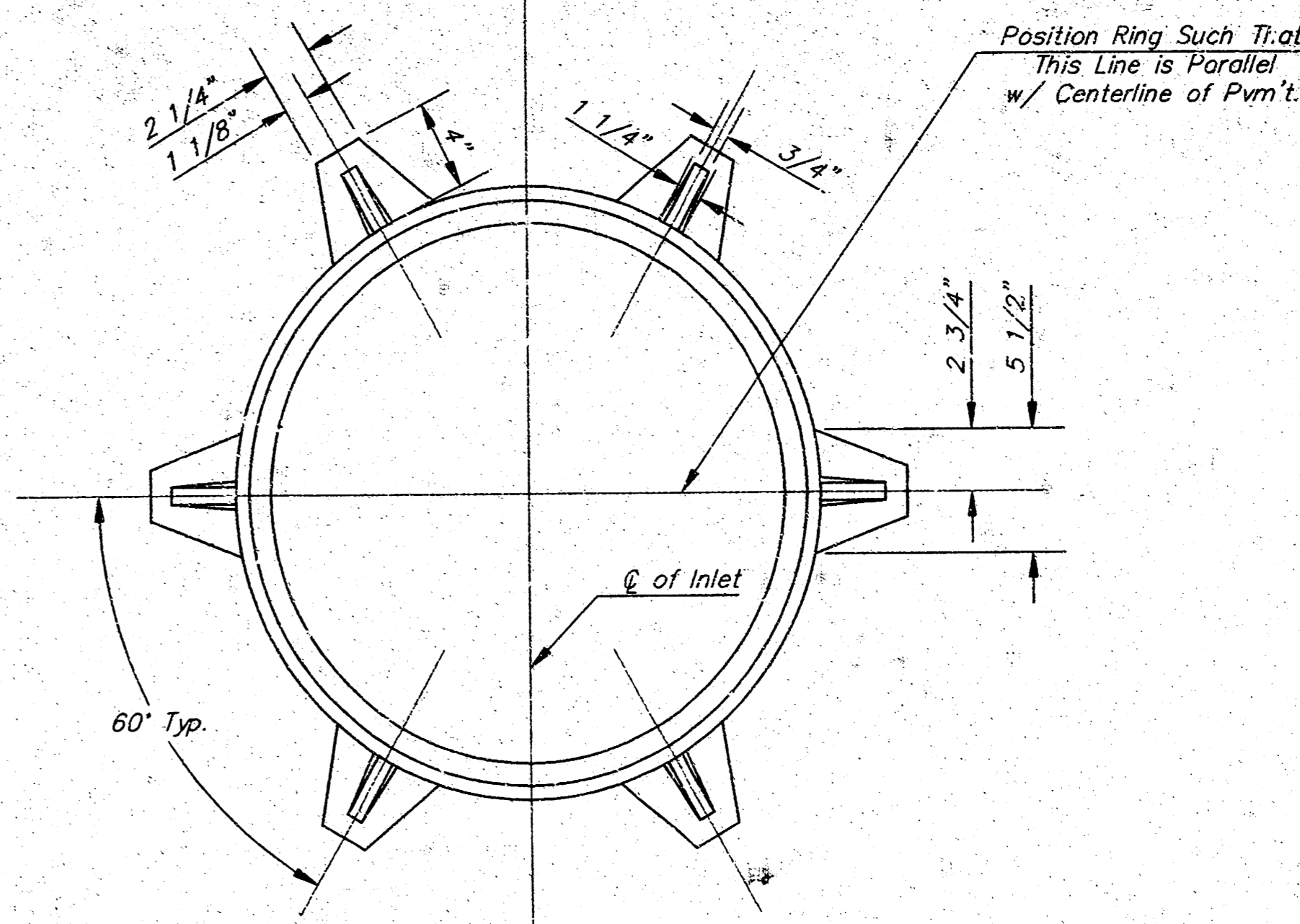
SECTION A-A



SECTION B-B

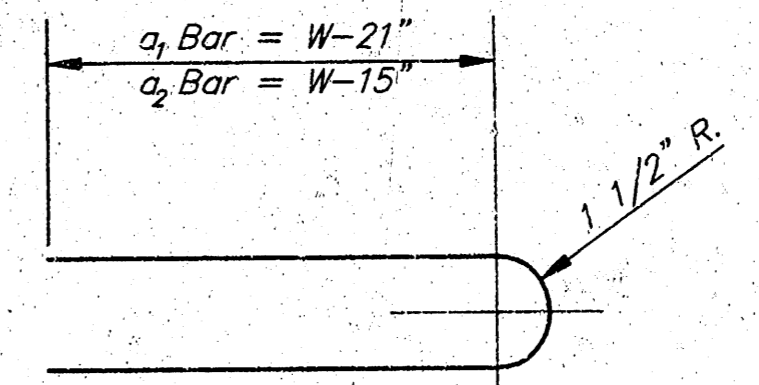
GENERAL NOTES

- Concrete tops to be installed on thin mortar cushion to insure full support along brick walls. Concrete tops may be cast in place or precast. Concrete used for inlet construction shall be concrete pavement mix.
- Contractor shall have the option of constructing 8" brick masonry walls between the concrete inlet base and top on this inlet when W=5'-0" and H=7'-0" or less.
- Inlet invert shall be shaped with 8 sack sand mix concrete to create flow channels and to increase hydraulic efficiency such that the inlet will be self cleaning between all inlet and/or outlet pipes.
- The ends of all pipes installed in inlets shall be cut off flush with the inside face of the inlet wall.



MANHOLE RING AND COVER

WT. = 180 lbs.
*See City of Wichita Standard Manhole Ring and Cover Detail Sheet for Cover Details to Be Used With Inlet Frame.

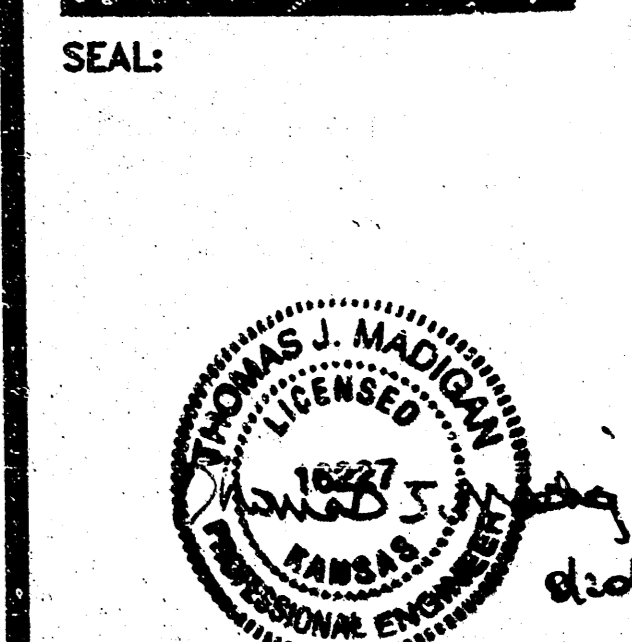


BENDING DIAGRAM

PATRICK G. BLEES

ARCHITECTURE PLANNING DESIGN
PATRICK G. BLEES, AIA
NORTHWESTERN BUILDING
219 N. 2ND ST., SUITE 301
MINNEAPOLIS, MN 55401
PHONE: (612) 338-6677
FAX: (612) 338-2995
E-MAIL: info@pgrarch.com
CONTACT: GARY FAGERSTROM

CONSULTANTS:
CIVIL ENGINEER AND ASSOC
VAN SICKLE ALLEN AND ASSOC
2655 XENIUM LN N, SUITE 10
PLYMOUTH, MN 55441
763-577-9118
THOMAS MADIGAN
STRUCTURAL ENGINEER
VAN SICKLE ALLEN AND ASSOC
2655 XENIUM LN N, SUITE 10
PLYMOUTH, MN 55441
763-577-9105
KETH JACOBSON
LANDSCAPE ARCHITECT
WESTWOOD PROF. SERVICES, INC.
7599 ANAGRAM DRIVE
EDEN PRAIRIE, MN 55344
952-937-5150
DAN SJORDAL



slumberland
ONE KELLOGG PLACE
2ND ADDITION
LOT 3, BLOCK A
11777 E KELLOGG
WICHITA, KS 67207

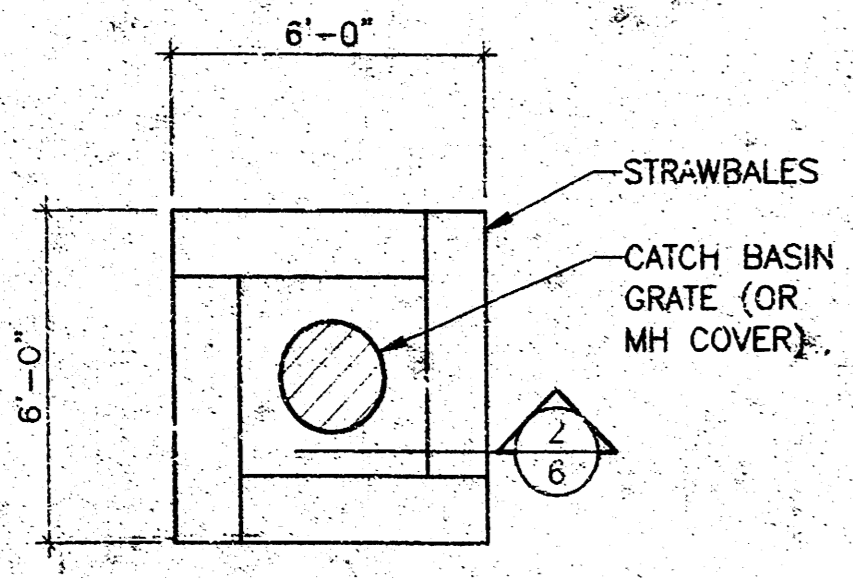
SHEET TITLE:
CITY OF WICHITA
STANDARD TYPE 1
CURB INLET 5'-0" OPENING

REVISIONS:

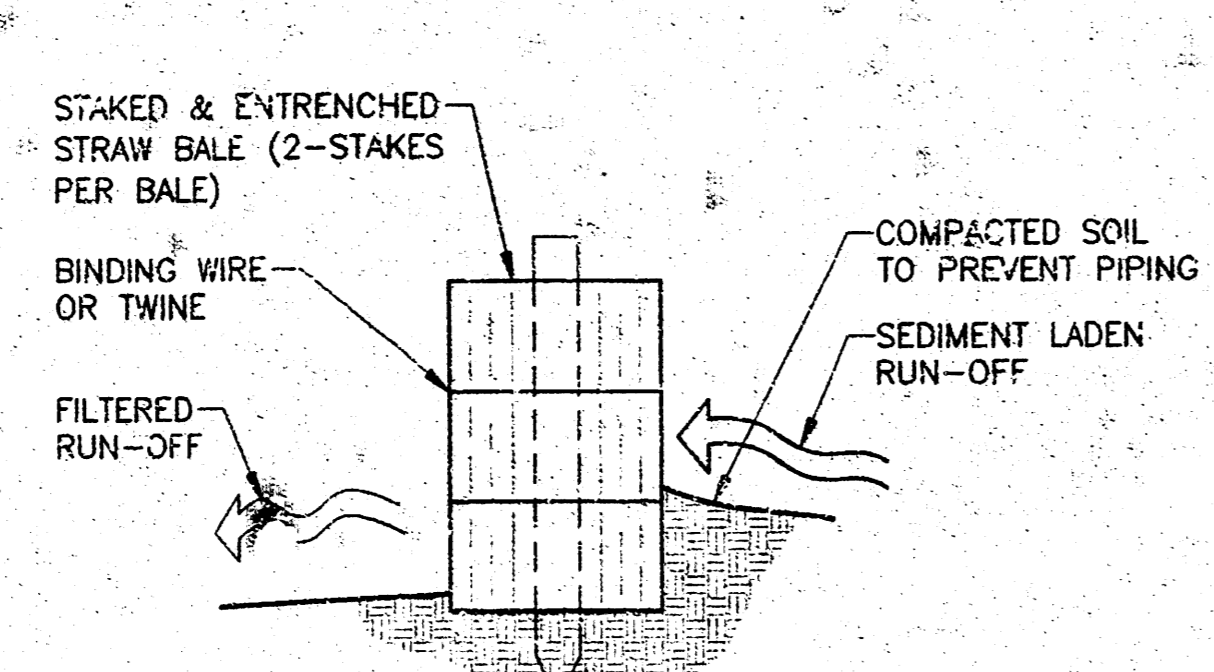
NO.	DATE:	BY:
1	05-07-04	RME
2	06-10-04	RME
3	06-30-04	RME
4	08-09-04	CITY
5	08-20-04	CITY

PROJECT NO: 03109-18
DRAWING DATE: 08-20-04
DRAWN BY: QAV

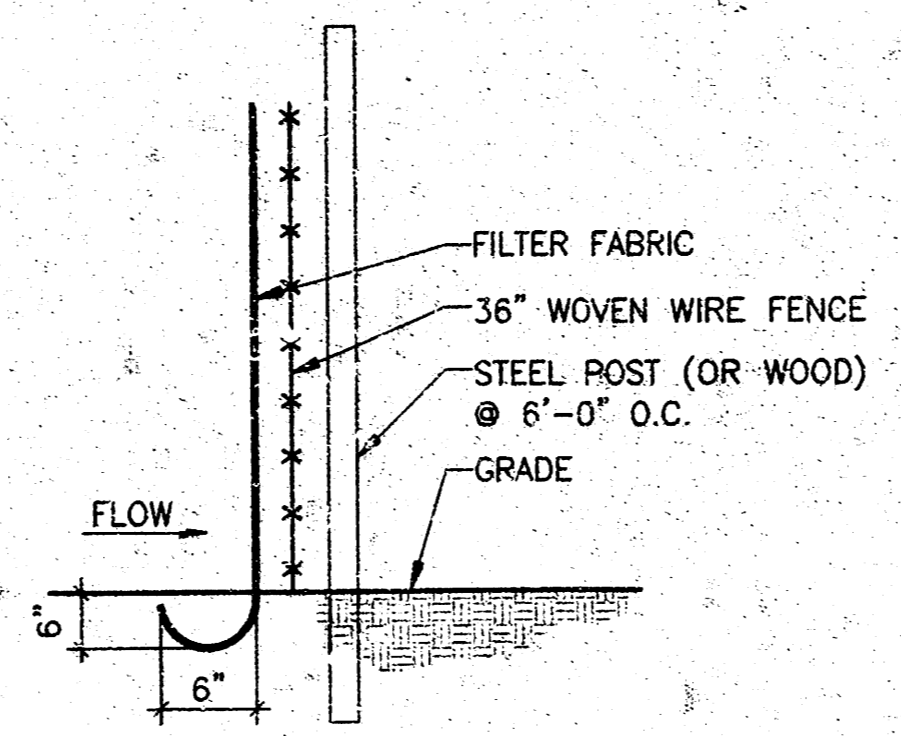
1
2
3
4
5
6
7
8
9
10
11
12
13
14
15
16
17
18
19
20
21
22
23
24
25
26
27
28
29
30
31
32
33
34
35
36
37
38
39
40
41
42
43
44
45
46
47
48
49
50
51
52
53
54
55
56
57
58
59
60
61
62
63
64
65
66
67
68
69
70
71
72
73
74
75
76
77
78
79
80
81
82
83
84
85
86
87
88
89
90
91
92
93
94
95
96
97
98
99
100
 COLOR
PLOT
SCALE
PLOTTING
GUIDE



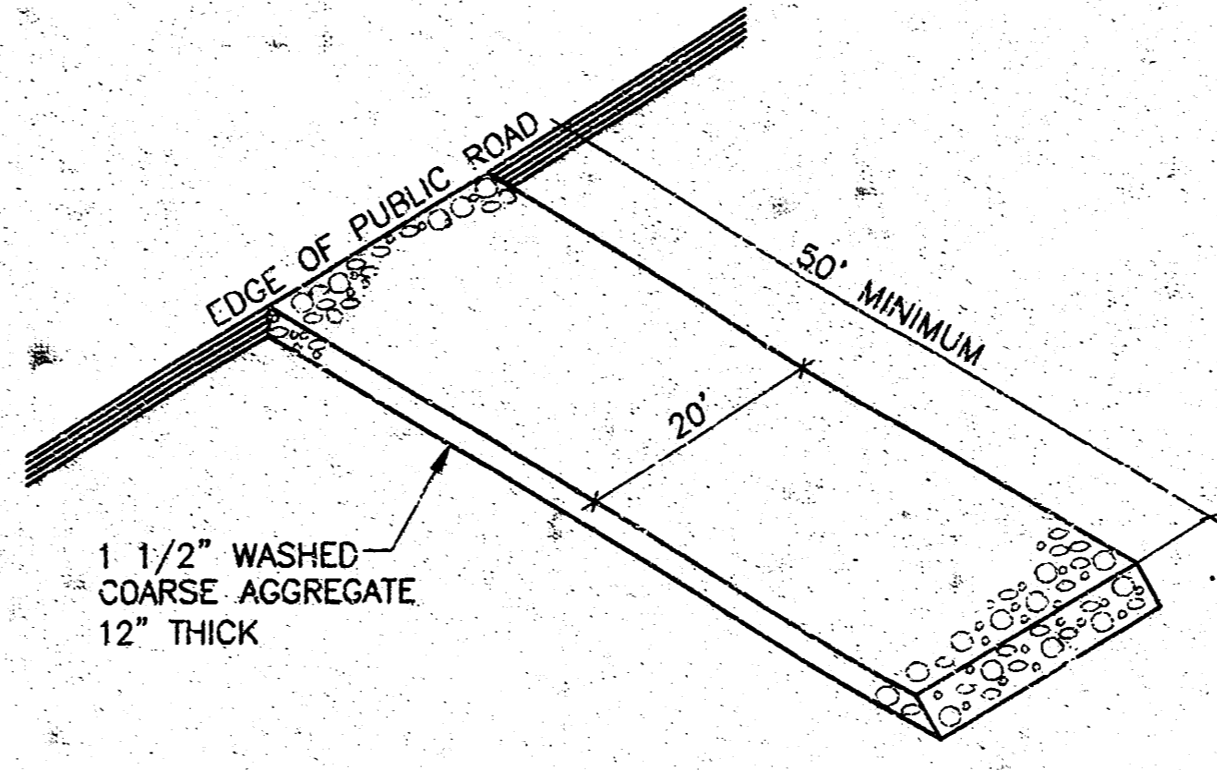
1
6
STRAWBALES
@ DROP INLET/MH
NO SCALE



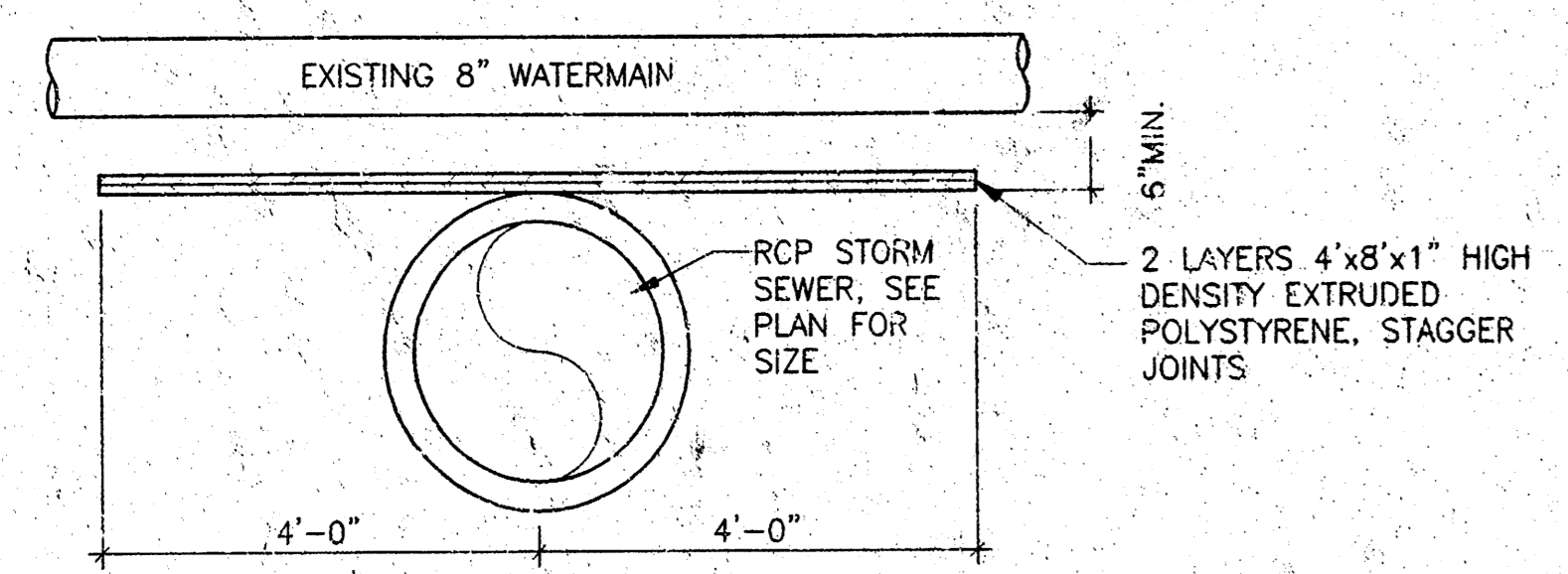
2
6
STRAWBALE BARRIER
NO SCALE



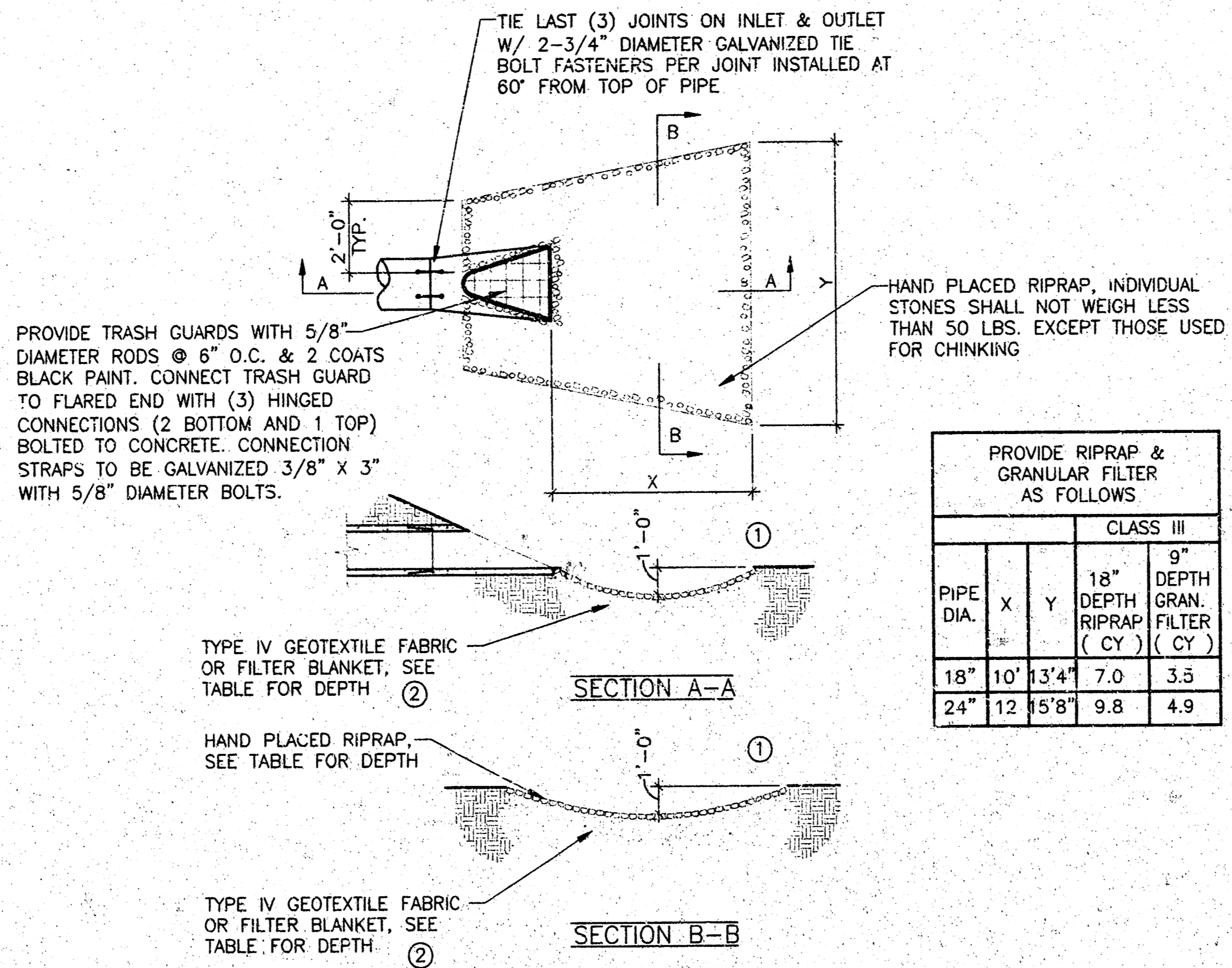
3
6
SILT FENCE DETAIL
NO SCALE



4
6
GRAVEL CONSTRUCTION ENTRANCE
NO SCALE



5
6
INSULATION AT
WATER MAIN AND STORM SEWER
NO SCALE



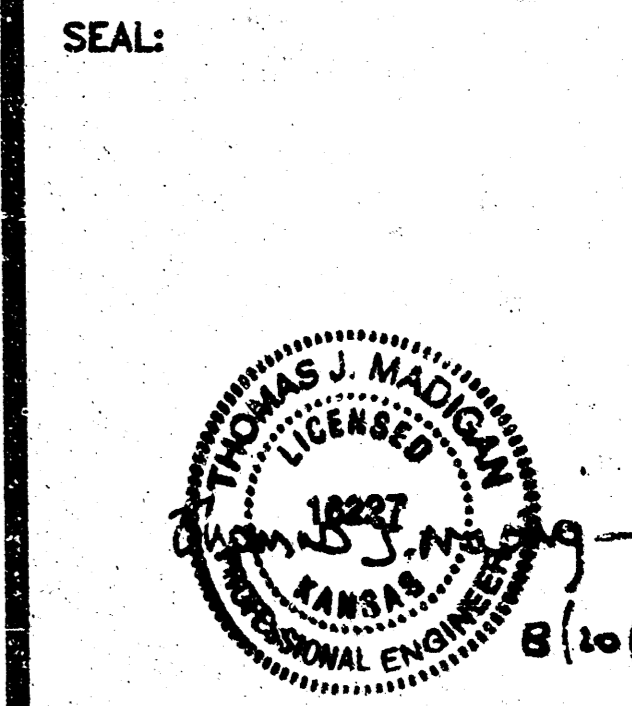
6
6
RIPRAP AT RCP OUTLET
NO SCALE

NOTES: ① FOR PIPES GREATER THAN OR EQUAL TO 30", USE 1.5'.
 ② THE CONTRACTOR, AT HIS OPTION, MAY SUBSTITUTE A GEOTEXTILE FABRIC, SPEC. 3601, FOR THE GRANULAR FILTER BLANKET U.N.O. THE FABRIC SHOULD COVER THE AREA OF THE RIPRAP AND EXTEND UNDER THE CULVERT APRON 3 FEET.

PATRICK G. BLEES

ARCHITECTURE PLANNING DESIGN
 PATRICK G. BLEES, AIA
 NORTHWESTERN BUILDING
 219 N. 2ND ST., SUITE 301
 MINNEAPOLIS, MN 55401
 PHONE: (612) 338-6677
 FAX: (612) 338-2995
 E-MAIL: info@patrickgblees.com
 CONTACT: GARY FAGERSTROM

CONSULTANTS:
CIVIL ENGINEER
 VAN SICKLE ALLEN AND ASSOC
 2955 XENIUM LN N, SUITE 10
 PLYMOUTH, MN 55441
 763-577-9118
 THOMAS HANSEN
STRUCTURAL ENGINEER
 VAN SICKLE ALLEN AND ASSOC
 2955 XENIUM LN N, SUITE 10
 PLYMOUTH, MN 55441
 763-577-9105
 KEITH JACOBSON
LANDSCAPE ARCHITECT
 WESTWOOD PROF. SERVICES, INC.
 7599 ANAGRAM DRIVE
 EDEN PRAIRIE, MN 55344
 952-937-5150
 DAN SJORDAL



slumberland
 ONE KELLOGG PLACE
 2ND ADDITION
 LOT 3, BLOCK A
 11777 E KELLOGG
 WICHITA, KS 67207

SHEET TITLE:
 DETAILS

REVISIONS:

NO.	DATE:	BY:
1	05-07-04	RME
2	06-10-04	RME
3	06-30-04	RME
4	08-08-04	CITY
5	08-20-04	CITY

PROJECT NO: 03109-18
 DRAWING DATE: 08-20-04
 DRAWN BY: OAV

6
 SHEET 6 OF 6
 FILE: 04059 6

COPYRIGHT PATRICK G. BLEES, AIA 2004