

STORM WATER SEWER TO SERVE

THE COLLECTIVE

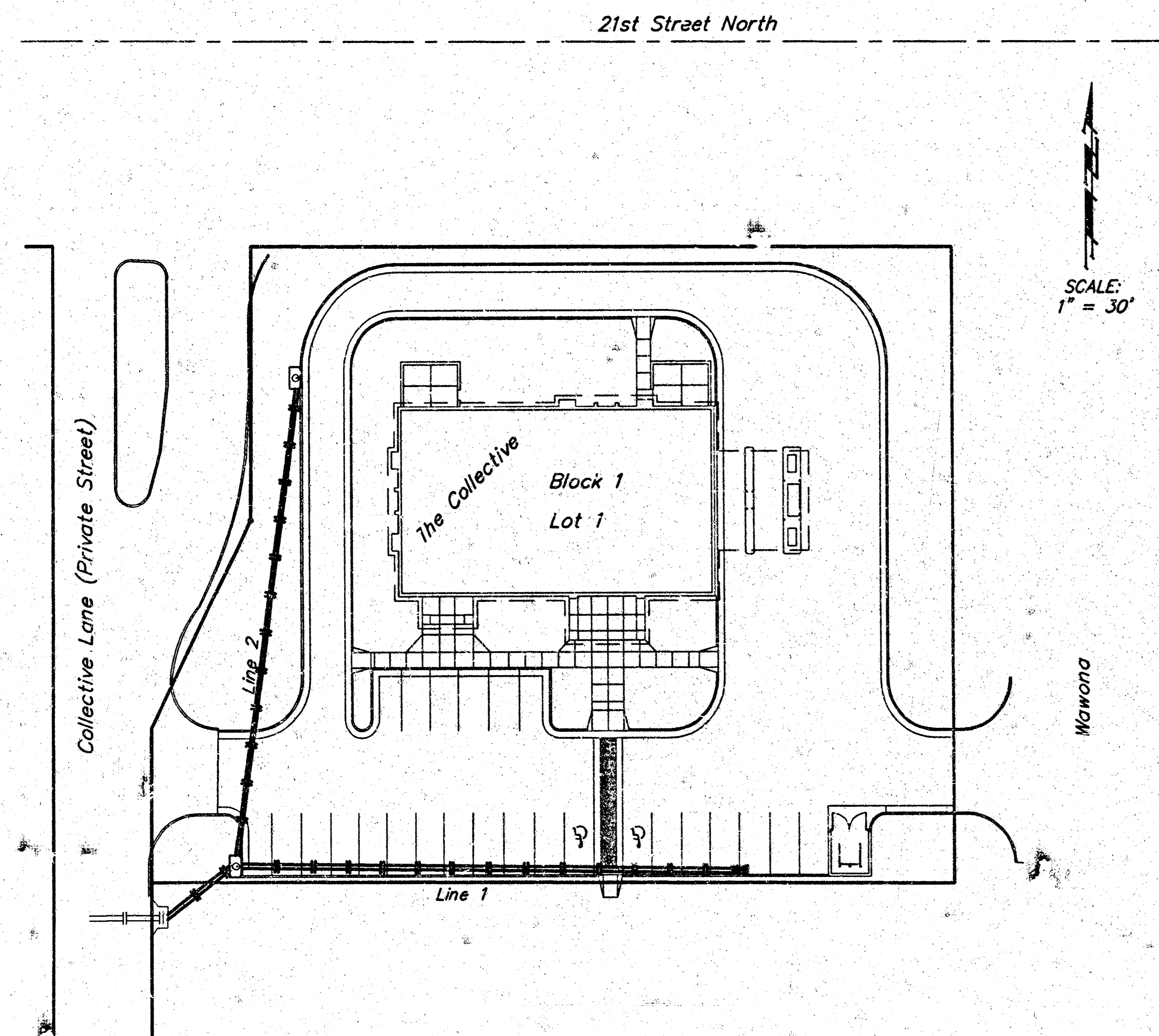
Block 1, Lot 1

Private Project Number: 1452 PPS (607861)

CITY OF WICHITA, KANSAS

Jim Armour, P.E. City Engineer

June 2004



Index

Cover Sheet	1
Plan/Profile Sheet	2
Drop Inlet & Scuriment Barrier Detail	3
Curb Inlet Detail	4
BMP Erosion Details	5
Copy Of Plat	6

Bench Marks:

1. Site Bench Mark.
"X" Chiseled on Top of Concrete approximately
2' Northeast of the Northeast corner of Lot 1,
Block 1, The Collective, an Addition to Wichita,
Sedgwick County, Kansas.

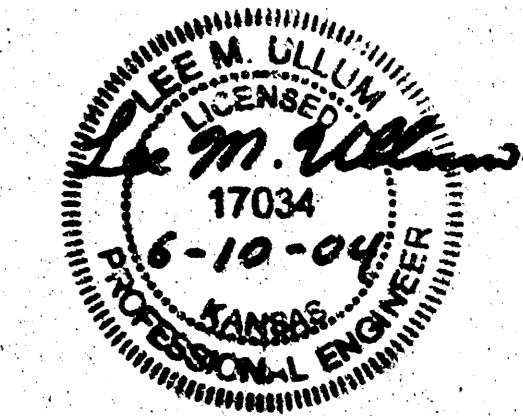
Elev. = 196.01 (City Datum)

2. Greenwich and 17th Street North.
City of Wichita Bench Mark.
Wes. side of Greenwich in railroad signal base.

Elev. = 183.19 (City Datum)

Legal Description

Lots 1, Block 1, The Collective, an Addition
to Wichita, Sedgwick County, Kansas



APPROVED AS NOTED
BY CITY ENGINEER OF WICHITA

Storm Sewers VRH 6/10/04

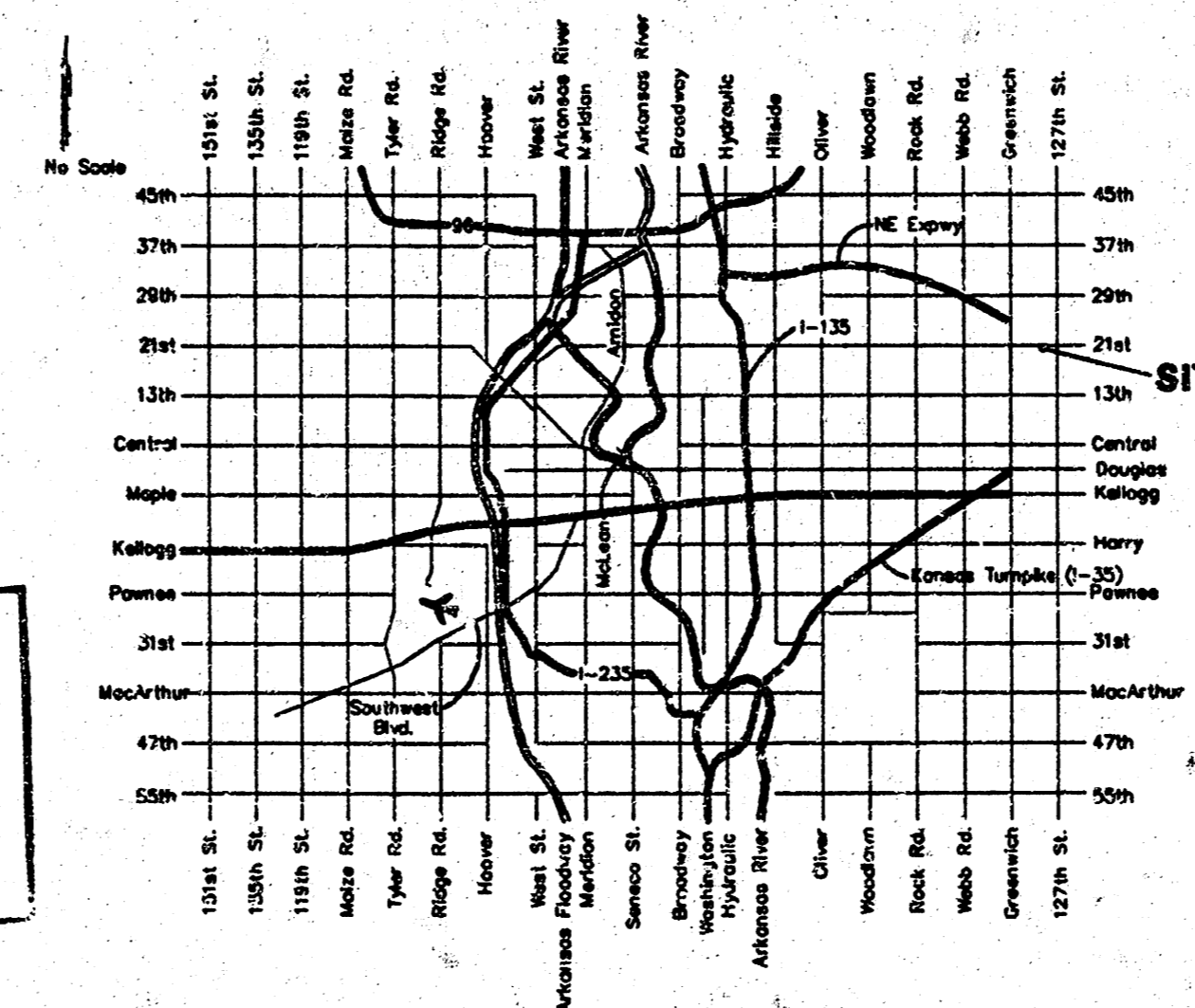
NOTE TO CONTRACTORS

Installation, inspection and testing for this project is to be provided by a Licensed Consulting Engineering Firm under contract with the Owner/Developer. Said inspection to be in accordance with the City of Wichita standard construction engineering practices and certified by a Licensed Professional Engineer. No work shall be performed in dedicated easements or public right-of-way by the Contractor without such inspection nor shall any work be commenced without written authorization by the City Engineer. All Construction and Materials shall comply with the City of Wichita Specifications and Standards (on file and available in the City Engineer's Office).

General Notes

- Contractor will be required to provide notice to utility companies a minimum of forty-eight (48) hours prior to any excavation, as follows:
Kansas One-Call 687-2470
The Contractor must notify the following in case of an emergency:
Cox Communications 262-4270
Kansas Gas Service Company 1-888-452-4950
Westar Energy (Electric) 383-2650
Aquila Energy (Gas) 1-800-303-0357
Southwestern Bell Telephone Company 1-800-286-8313
City of Wichita Water Department 262-6000
City of Wichita Sewer Maint. (San. Sewer) 262-6000
City of Wichita Storm Sewer Maint. 268-4090
City of Wichita Traffic Maint. 268-4034
- All disturbed R/W areas not intended for pavement or sidewalk construction shall be seeded with Kansas Premium Fescue Blend at a rate of 8 lb./1000 Sq. Ft., fertilized with a 16-20-6 ratio at a rate of 4 lb./1000 Sq. Ft., and mulched with Prairie Hay at a rate of 92 lb./1000 Sq. Ft. Mulch shall be "patted" with forks or punched into soil to reduce loss due to wind.
- Utility service lines, poles, valve boxes, meters, et cetera are to be adjusted as necessary by others prior to construction unless the plans specifically call for their adjustment by the Contractor or unless the plans specifically identify a utility to be adjusted by its owner during construction. Existing utilities and their location, as shown on the plans represent the best information obtainable for design and shall be field verified. The contractor will be required to work around existing utilities with the right-of-way which do not conflict with proposed construction.
- Properties within the project limits may have underground sprinkler systems which may conflict with new construction. Contractor will be required to remove such improvements should they not be removed by their owner at the time of construction of the project. The Contractor will be required to replace, re-install all sprinkler heads and/or valves such that the sprinkler system is in operational order. Portions of underground sprinkler systems not in conflict with new construction shall be protected from damage and shall remain in place. All work in connection with underground sprinkler systems shall be considered as subsidiary to the contract pay items of work.
- Contractor shall not start work on the project until the project inspector is assigned to the project and is present on the site. Contractor shall not start on the project until all necessary bonds and permits have been obtained. Bonds may include but are not limited to Statutory, Performance & Maintenance for areas in public right-of-way and easement. For projects within the City of Wichita contact Tom Mason (268-4574). Any work done without inspection will be required to be uncovered for inspection.
- Rubble from the removal of miscellaneous structures and excess excavation which is to be wasted shall be disposed of on sites to be provided by the Contractor. These sites shall be approved by the Engineer as to suitability, appearance and site location. Locations that, in the opinion of the Engineer, will leave an unsightly appearance will not be approved. All disposal sites must be approved by the Kansas Department of Health and Environment. Material either stockpiled or disposed of in a flood plain would require a Kansas State Board of Agriculture permit. Any material dumped in waters of the United States or wetlands is subject to U.S. Corps. of Engineers permitting regulations. Any material buried or stockpiled beyond approved construction limits would require additional archaeological investigations unless buried in a previously approved borrow location.
- All storm sewers and appurtenances shall be installed in accordance with the most recent edition of City of Wichita, Kansas Standard Specifications for the Construction of City Projects.

Location Map

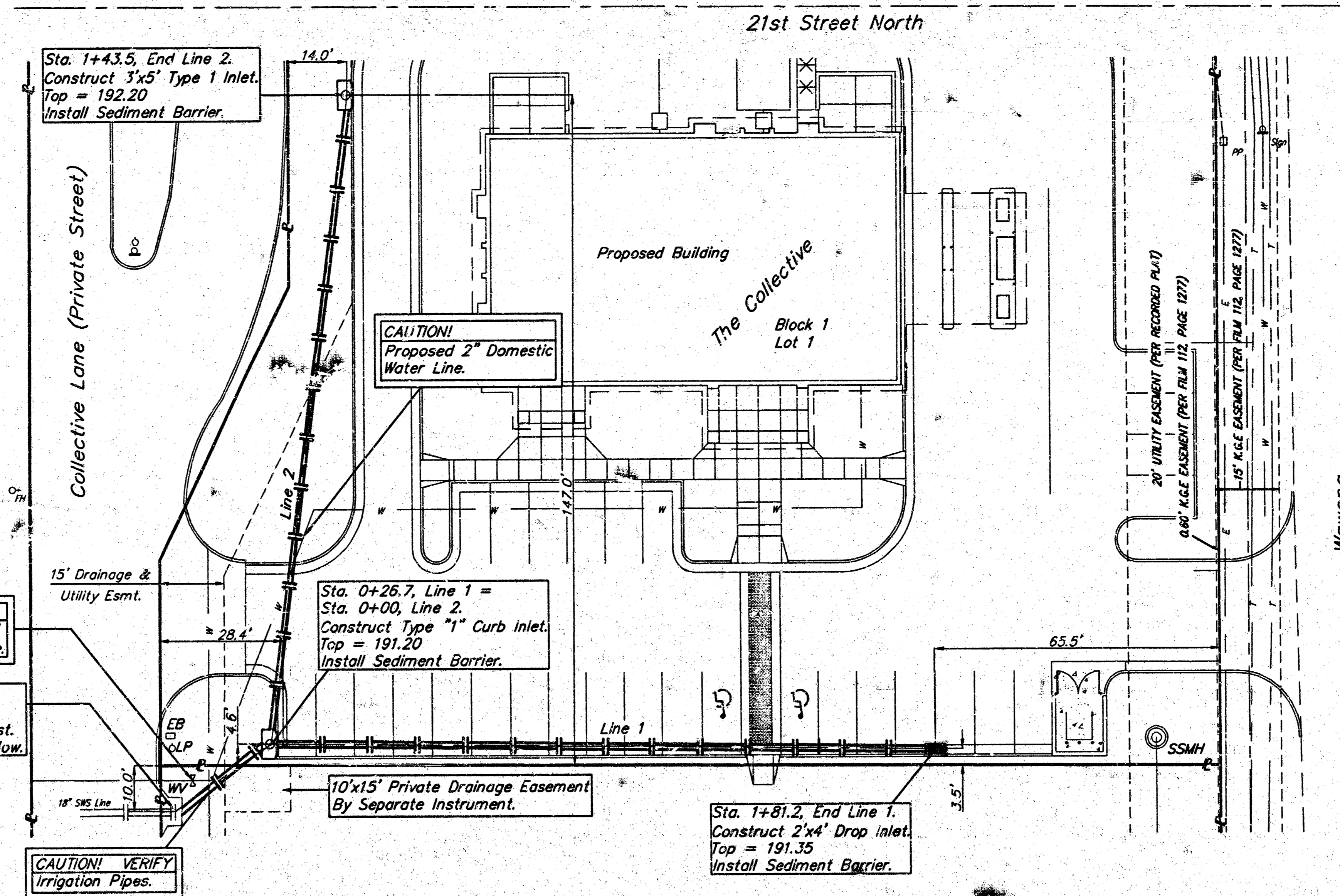


AS-BUILT
3-22-05
Date
KE MILLER
Signed

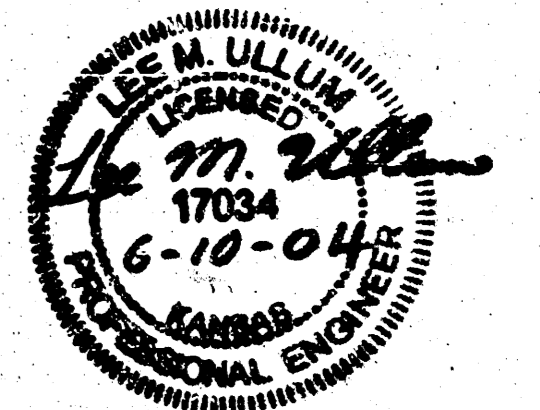
BAUGHMAN COMPANY P.A.
ENGINEERING, SURVEYING, & PLANNING
315-262-7271 • 315 ELLIS • WICHITA, KANSAS 67211

Bench Marks:

1. Site Bench Mark.
"X" Chiseled on Top of Concrete approximately 2' Northeast of the Northeast corner of Lot 1, Block 1, The Collective, an Addition to Wichita, Sedgwick County, Kansas.
Elev. = 196.01 (City Datum)
2. Greenwich and 17th Street North.
City of Wichita Bench Mark.
West side of Greenwich in railroad signal base.
Elev. = 183.19 (City Datum)

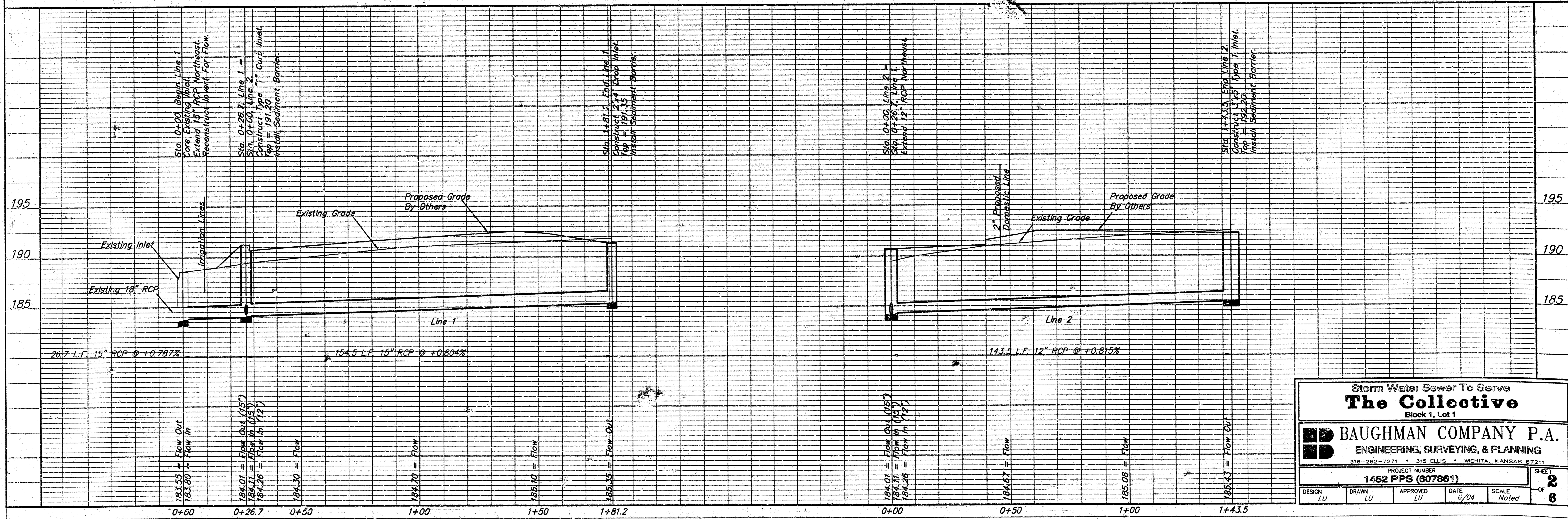


SCALE
1" = 20' HORIZONTAL
1" = 5' VERTICAL



Contractor Shall Follow All Applicable Best Management Practices (BMP) For Erosion Control,

Contractor To Use Extreme Caution When Excavating Near Utility Lines. Contractor To Hand Dig To Expose All Utility Lines Prior To Storm Sewer Installation. Verify Depth To Determine Conflict If Any.



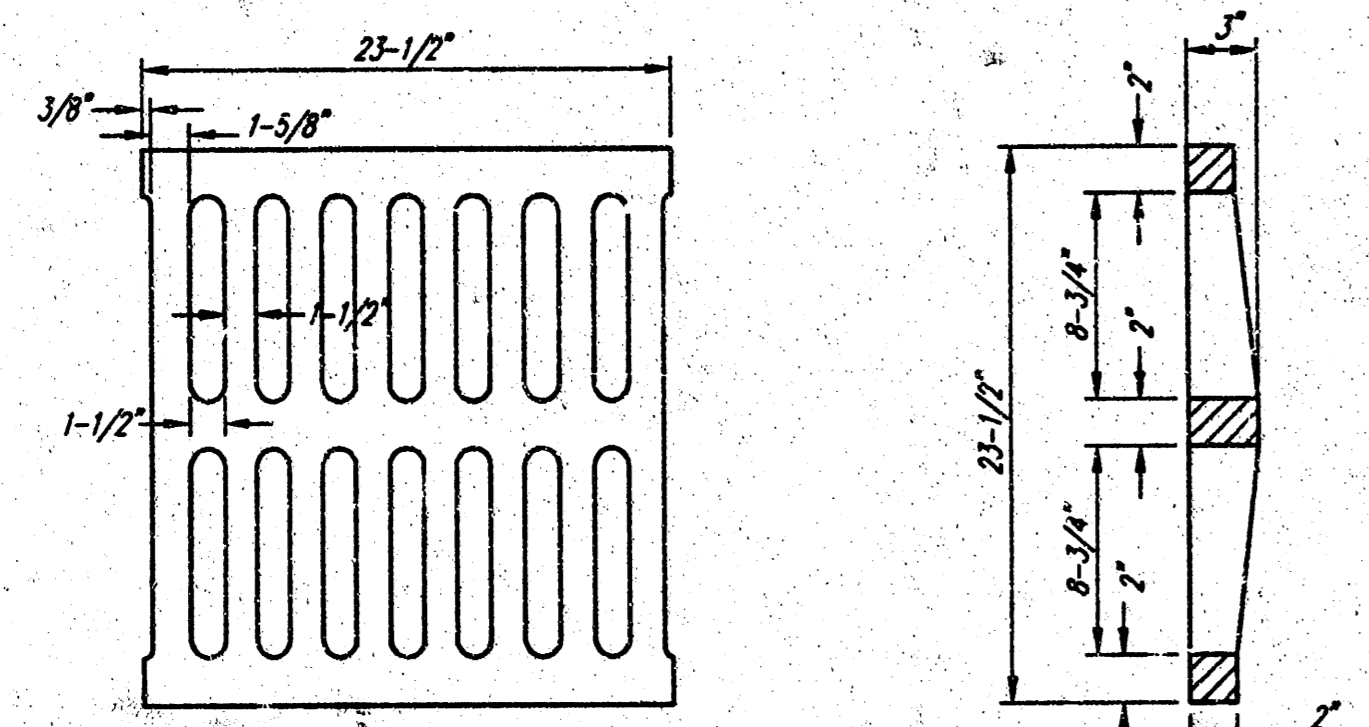
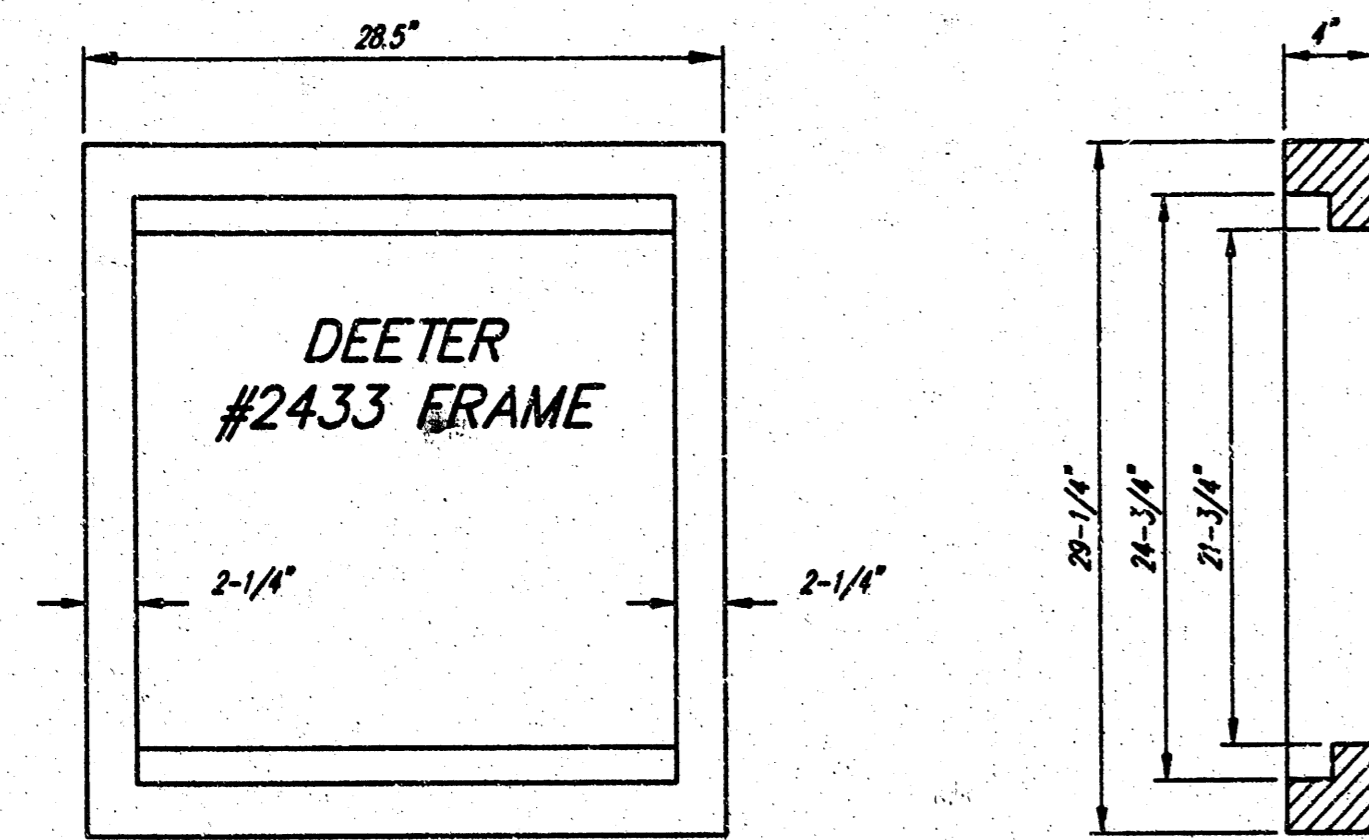
Storm Water Sewer To Serve
The Collective
Block 1, Lot 1

BAUGHMAN COMPANY P.A.
ENGINEERING, SURVEYING, & PLANNING
316-262-7271 • 315 ELLIS • WICHITA, KANSAS 67211

PROJECT NUMBER
1452 PPS (607881)

DESIGN LU	DRAWN LU	APPROVED LU	DATE 6/04	SCALE Noted
-----------	----------	-------------	-----------	-------------

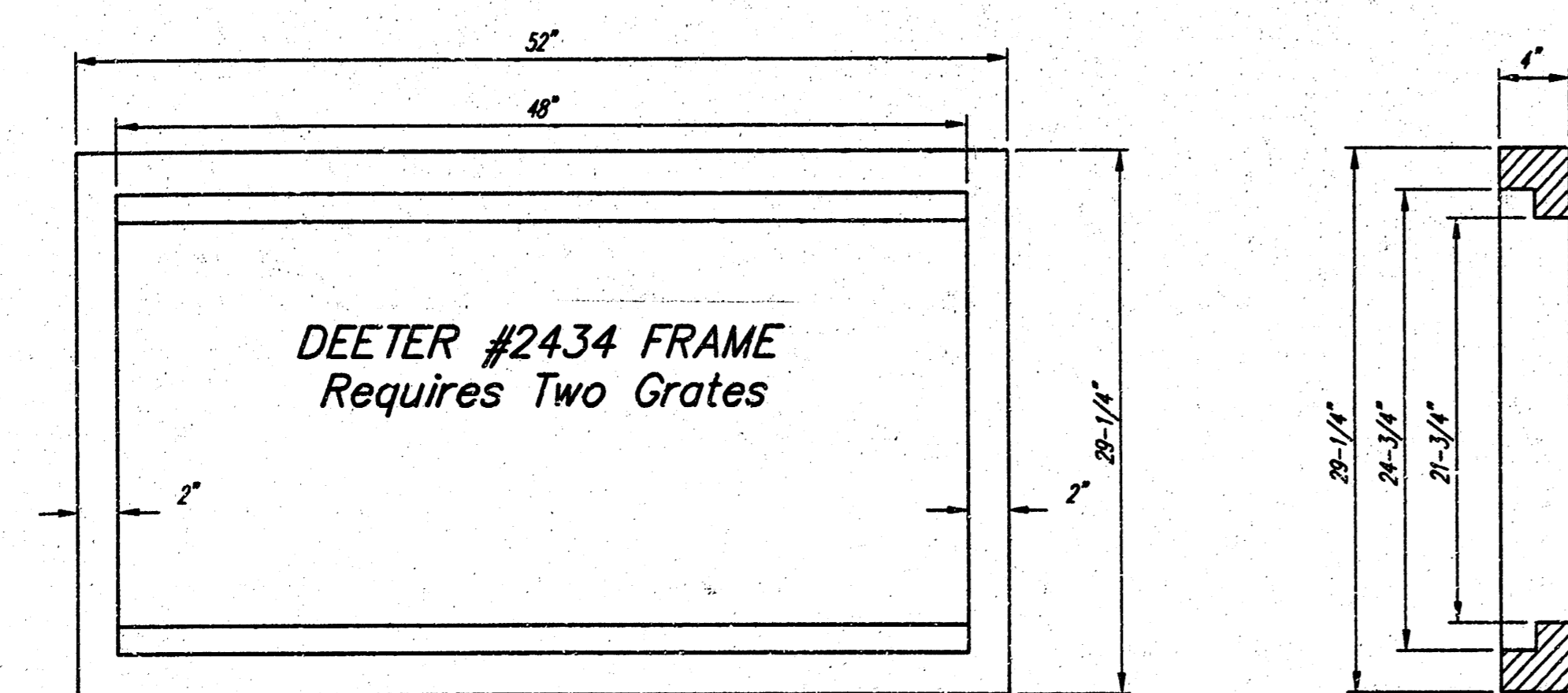
SHEET 2 OF 6



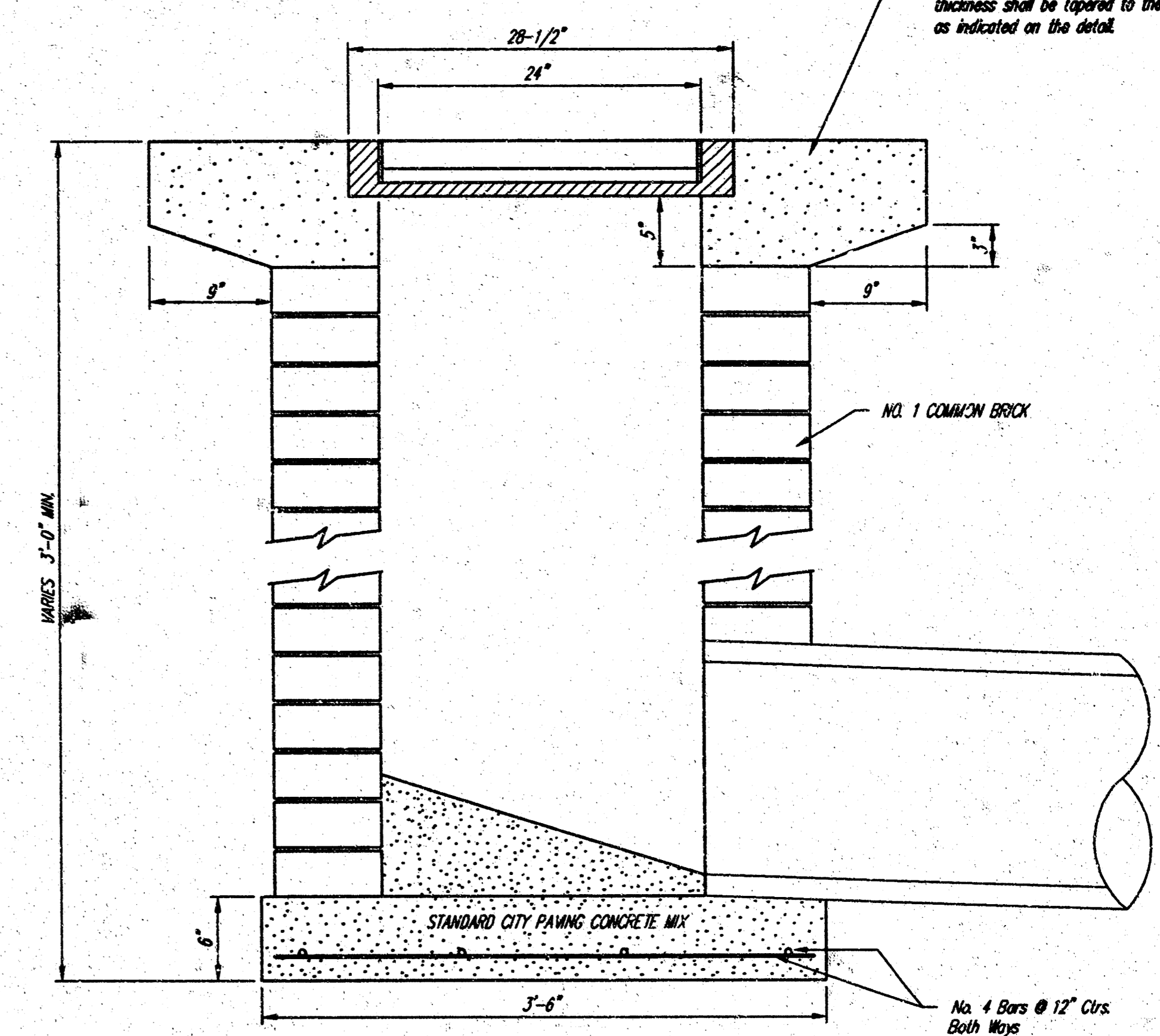
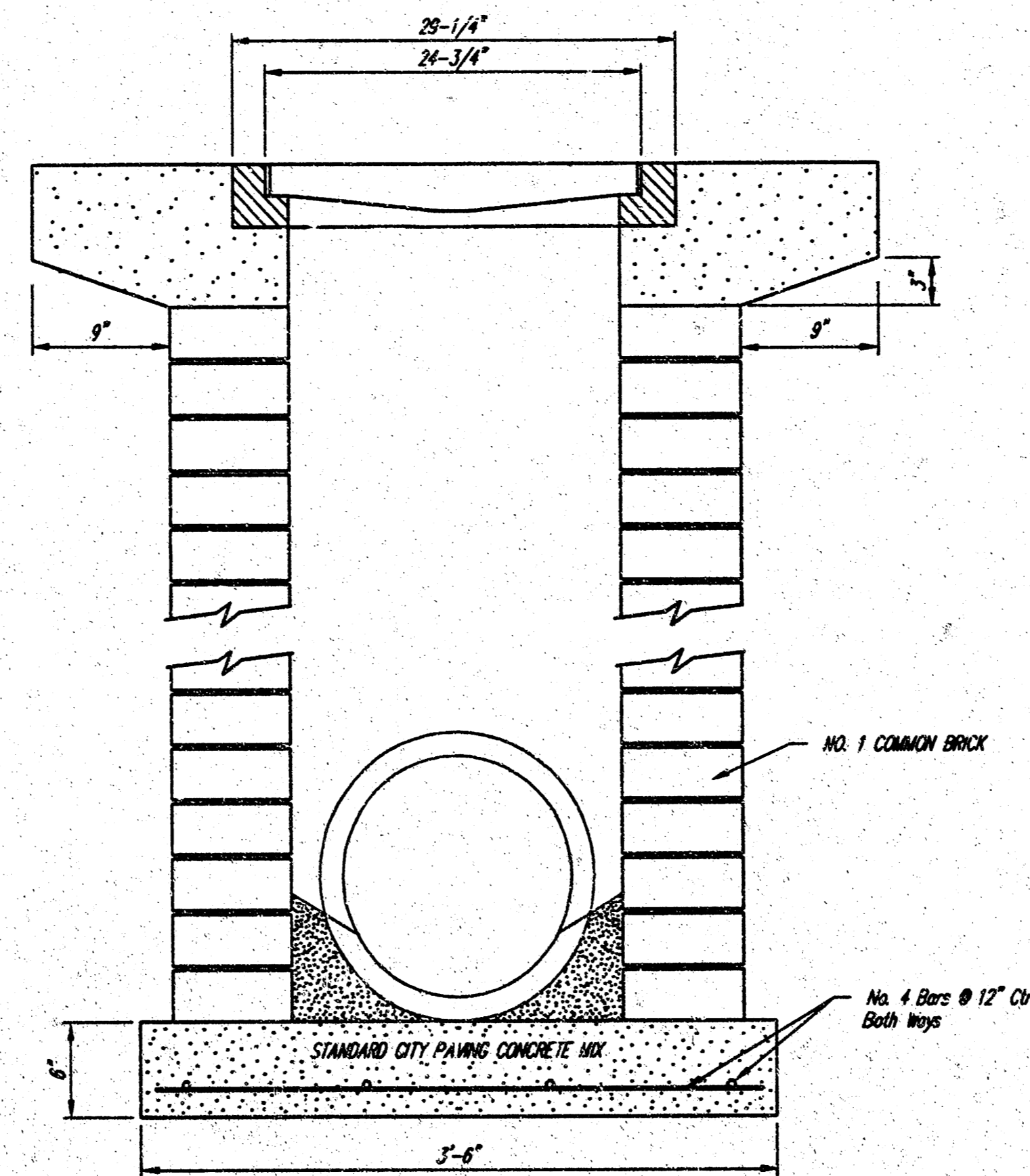
DEETER #2433 GRATE

24" x 24" Frame and Grate Detail

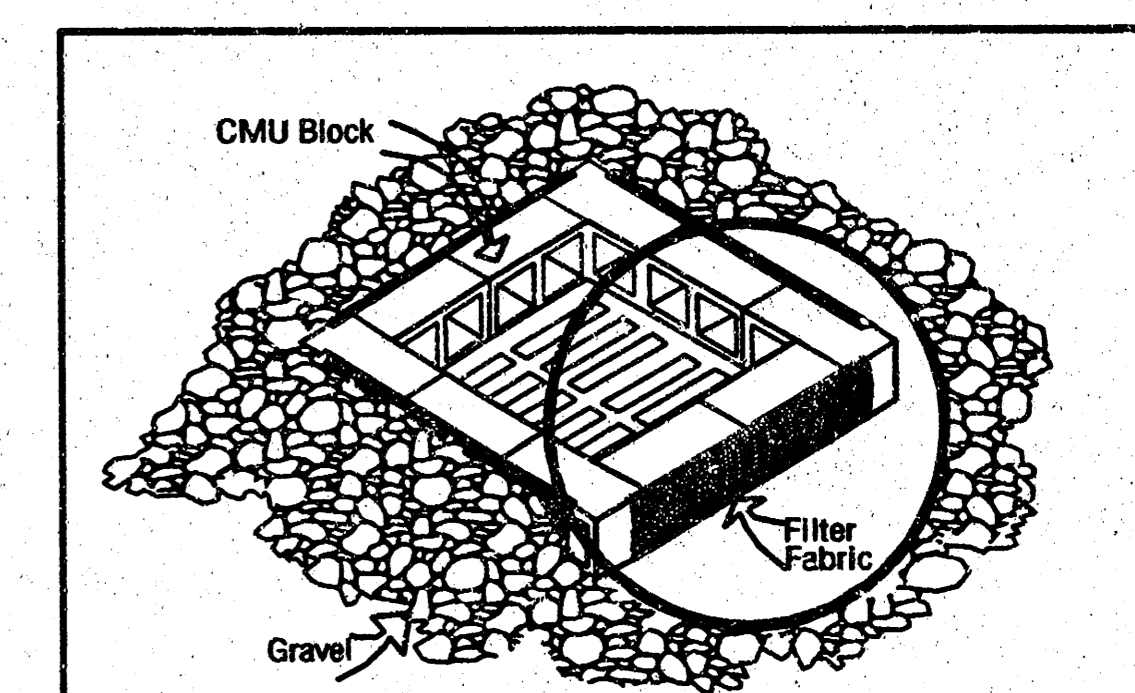
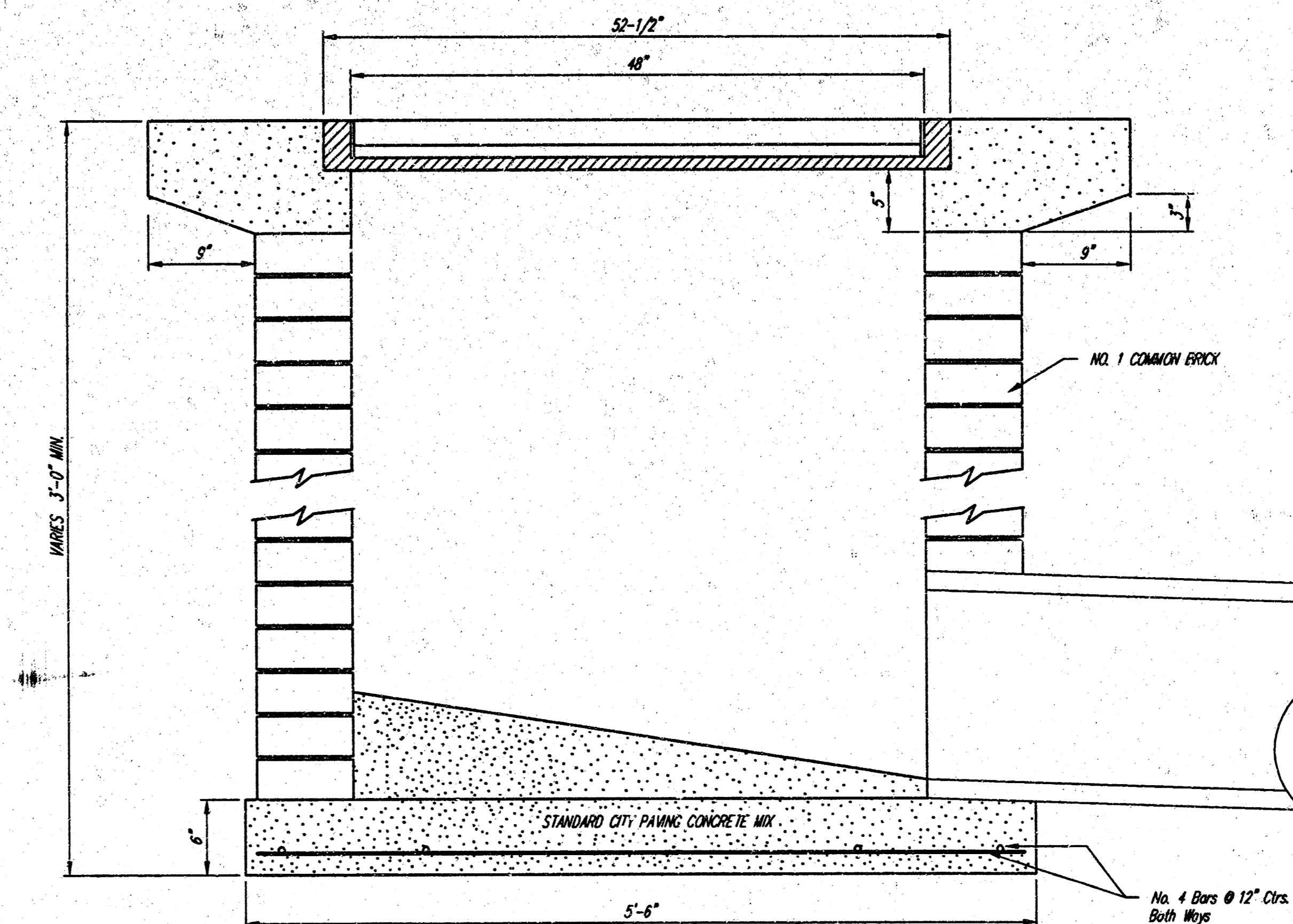
NOTE: Grates shall be imprinted on the top surface with "CITY OF WICHITA" using letters at least 1" in height. Other marking methods may be approved by the engineer.



Double 24" x 24" Frame Detail



Note: Concrete apron shall be constructed around the inlet when inlet is located in an unimproved area. Where the inlet is adjacent to pavement, the pavement thickness shall be tapered to the inlet in 9 inches as indicated on this detail.



NOTES:
Frequent maintenance is required to minimize short-circuiting and to remove sediment deposits and buildup.
Wrap filter fabric around all CMU block and backfill with 2"-3" gravel rock to allow sediment deposits.
DO NOT cover inlet or grate with filter fabric.

INLET PROTECTION
Storm Drain with Gravel Apron

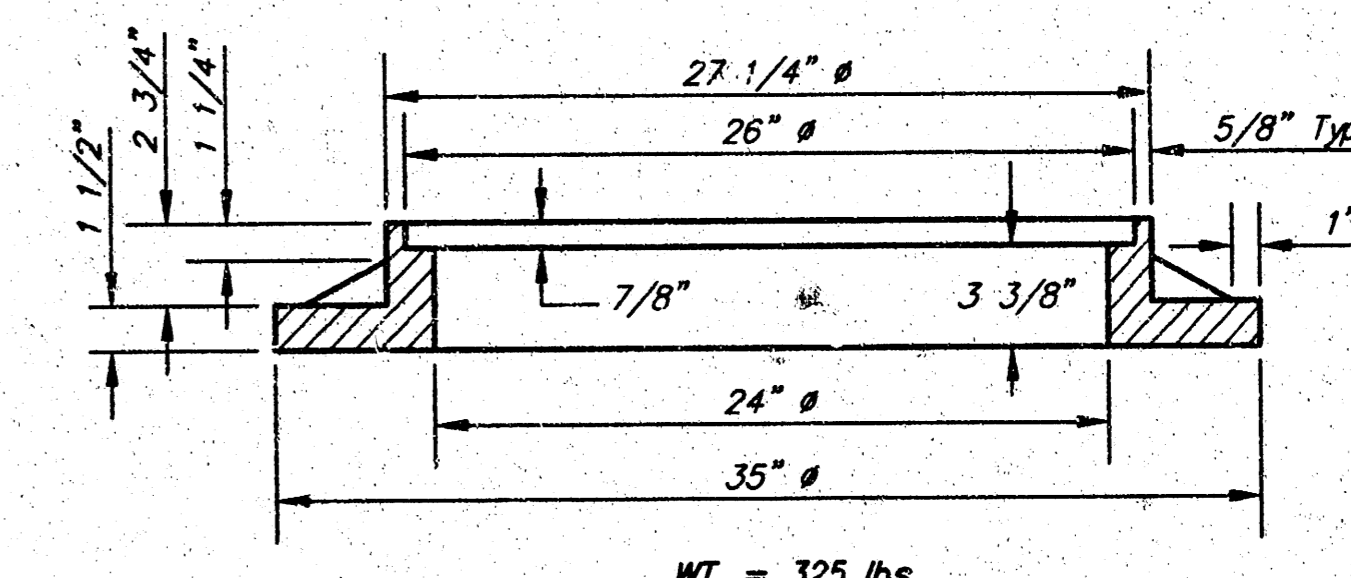
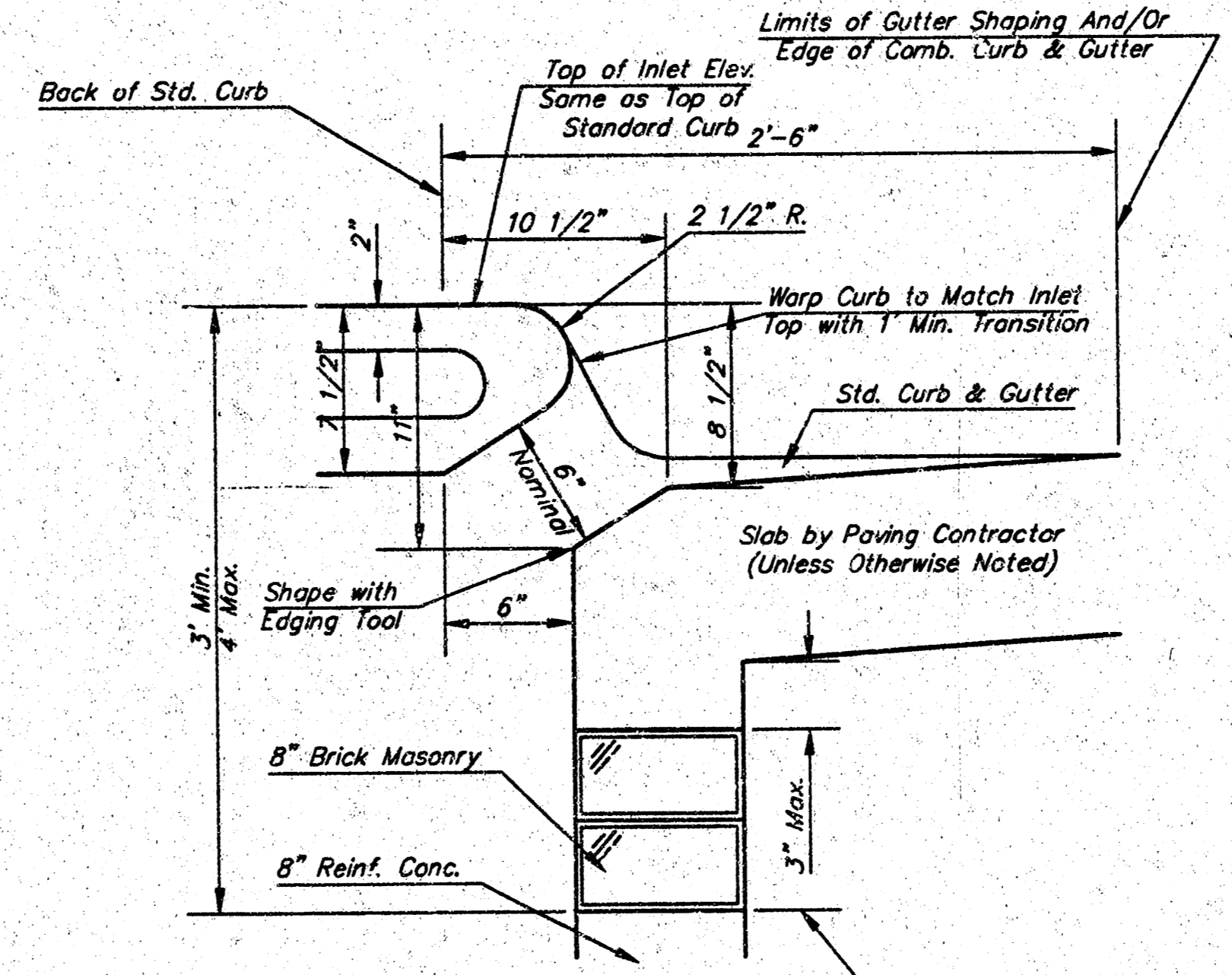
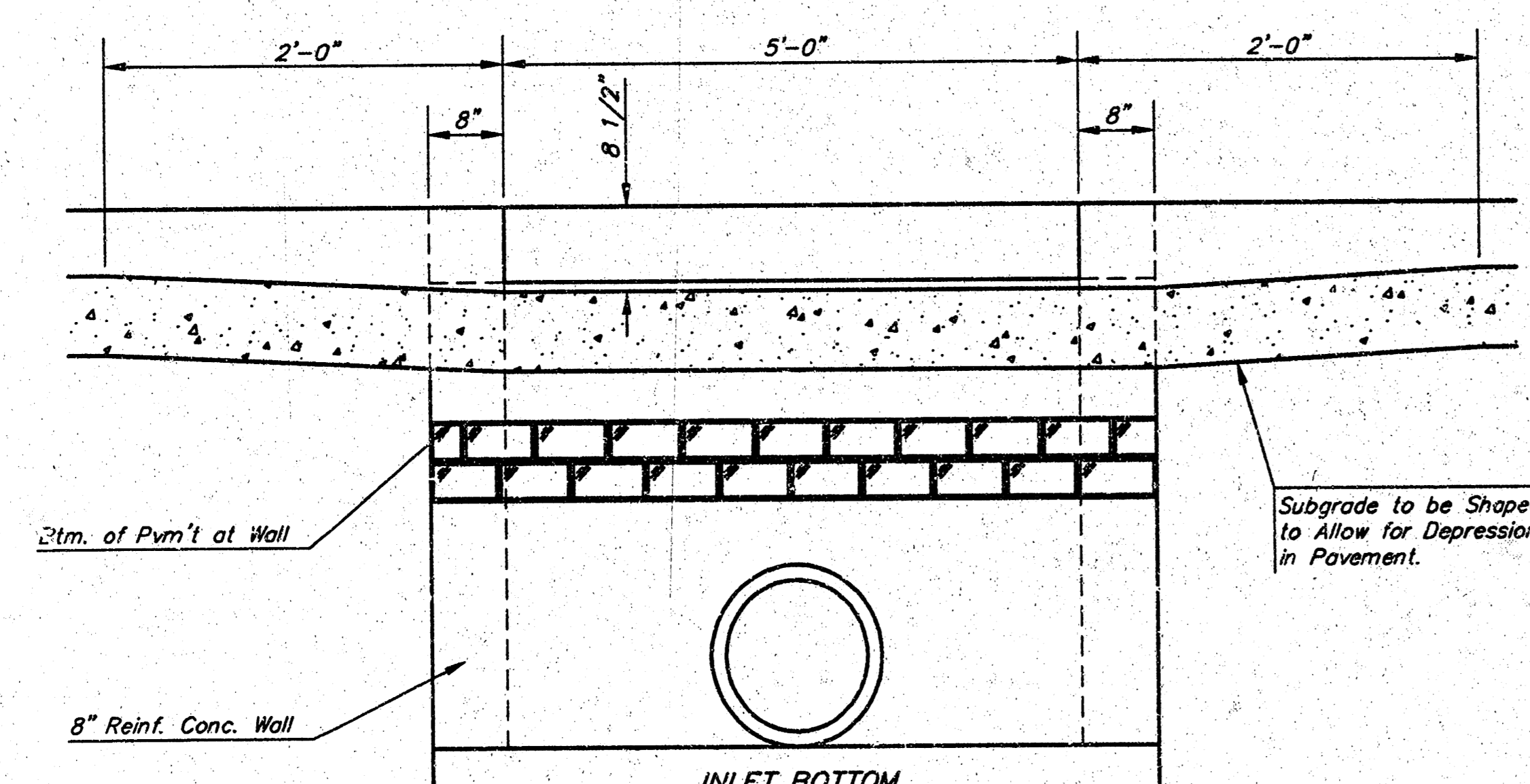
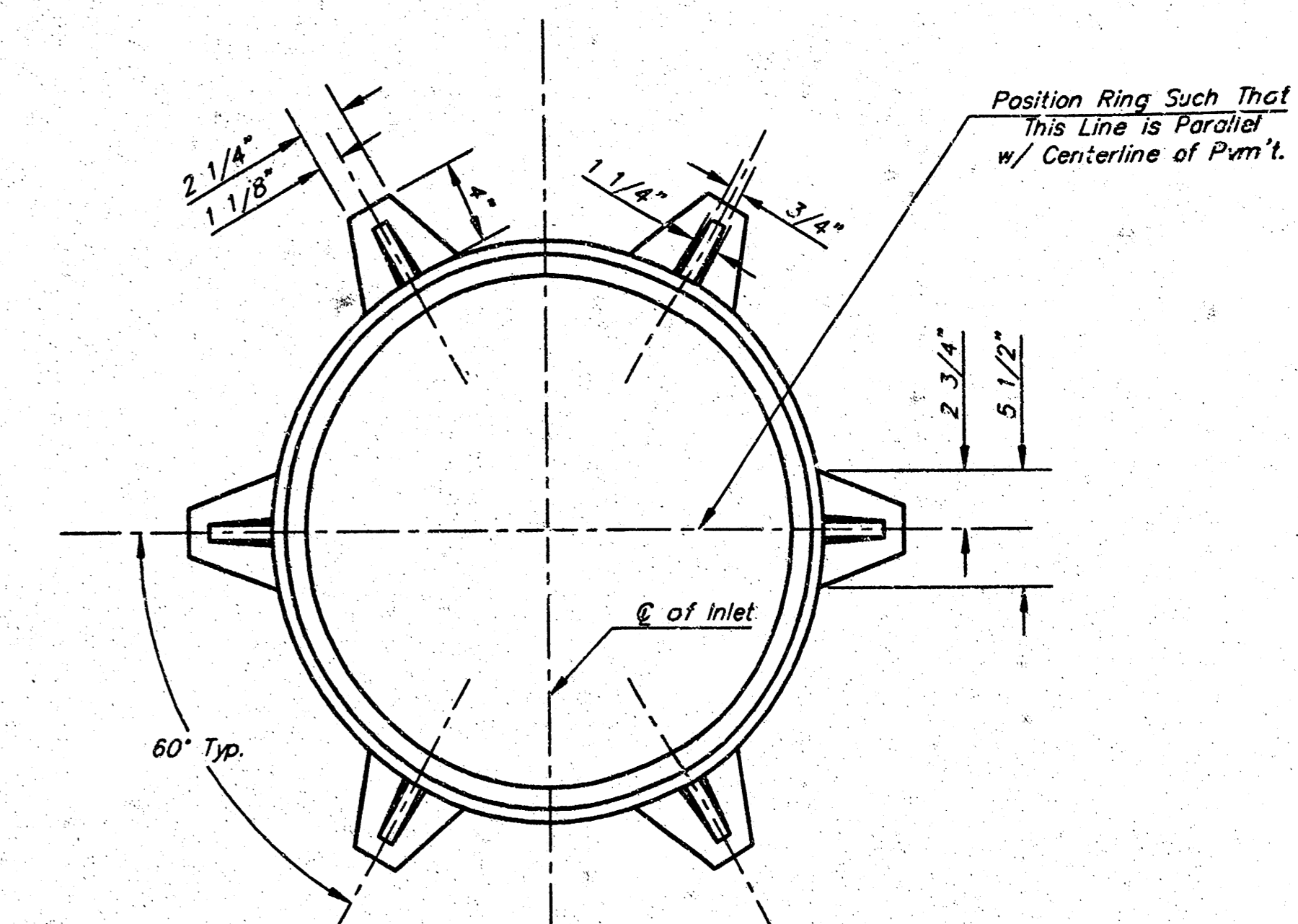
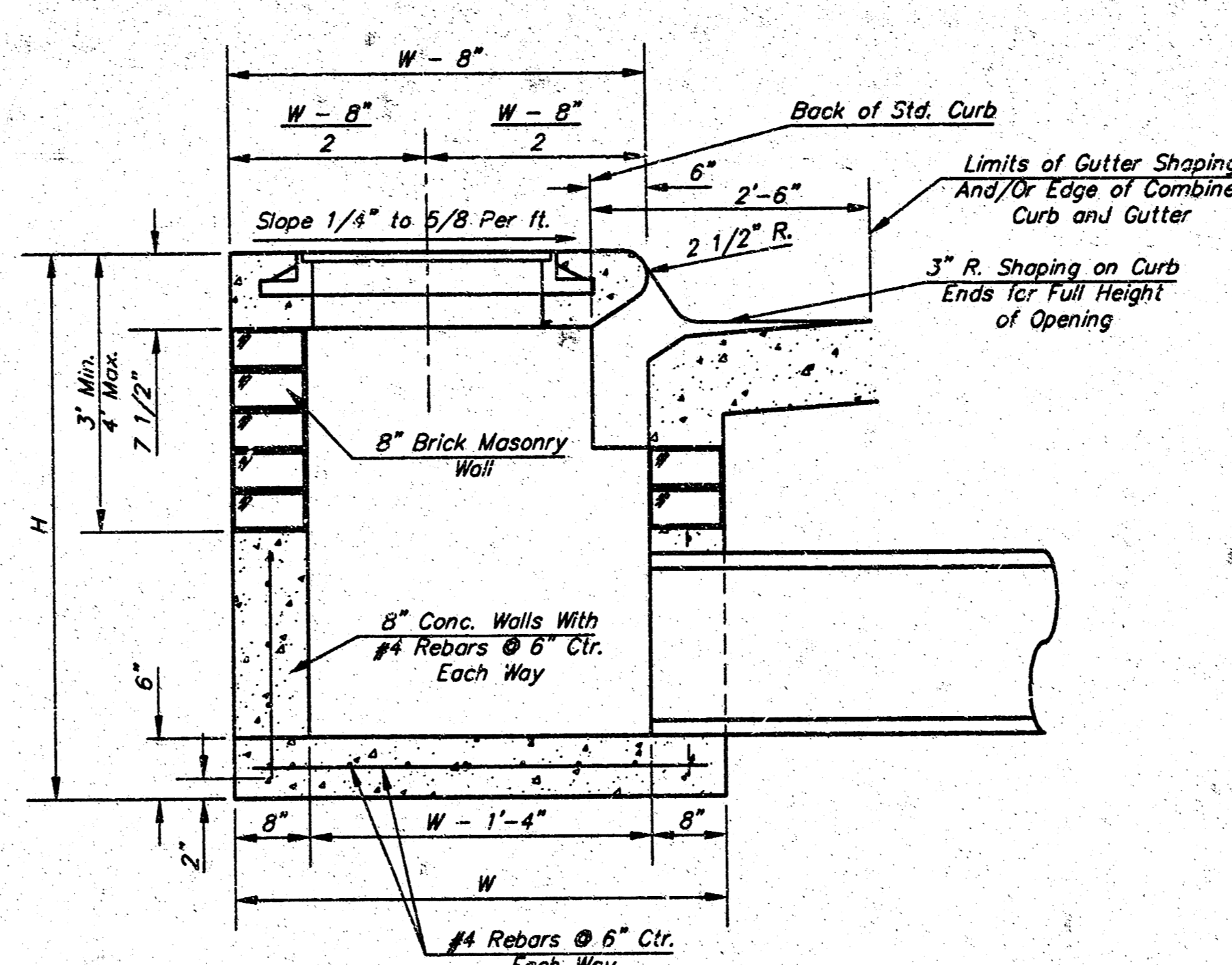
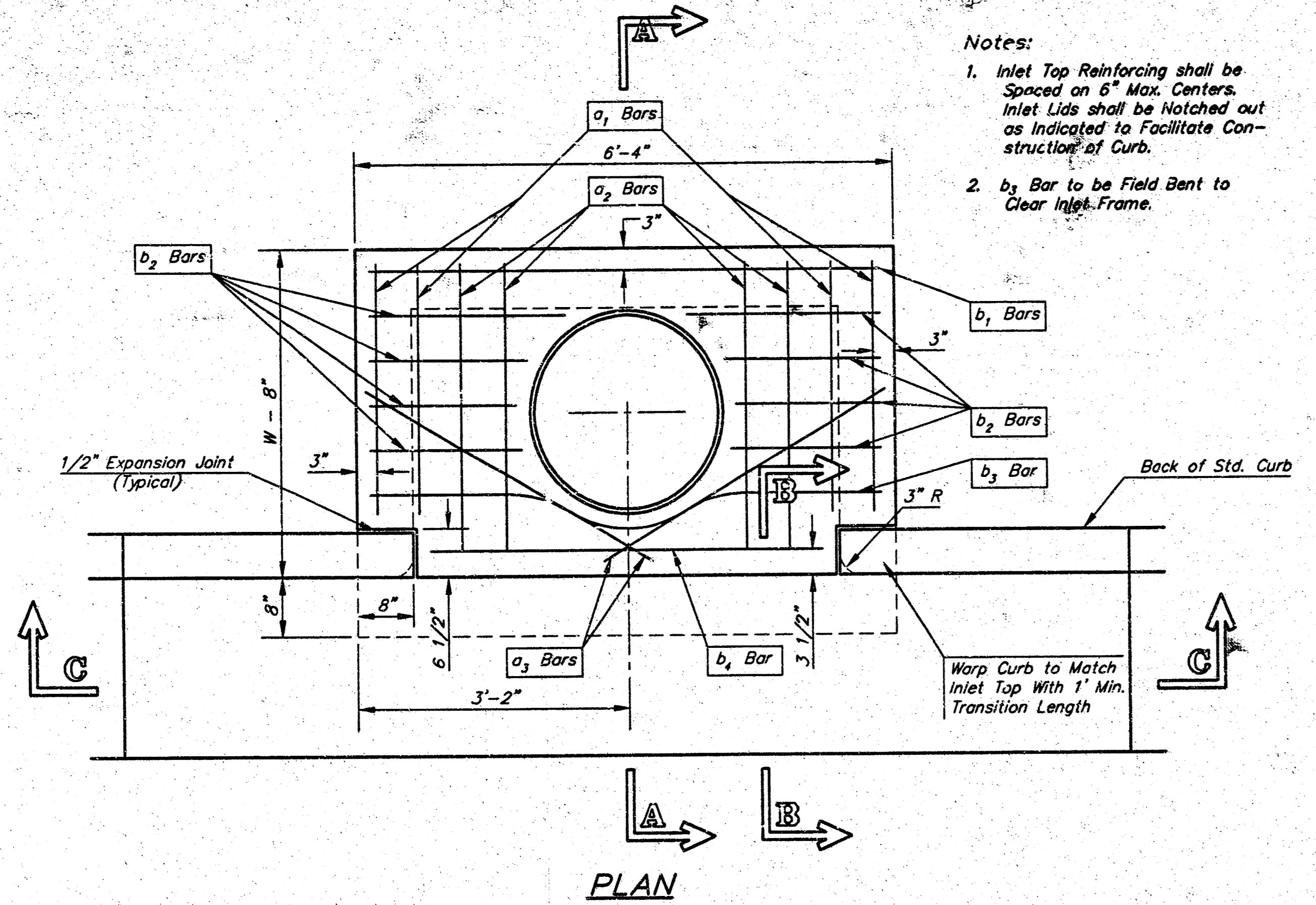
City of Wichita Standard
Drop Inlet

BAUGHMAN COMPANY P.A.
ENGINEERING, SURVEYING, & PLANNING
316-262-7271 • 315 ELLIS • WICHITA, KANSAS 67211

PROJECT NUMBER
1452 PPS (607861)

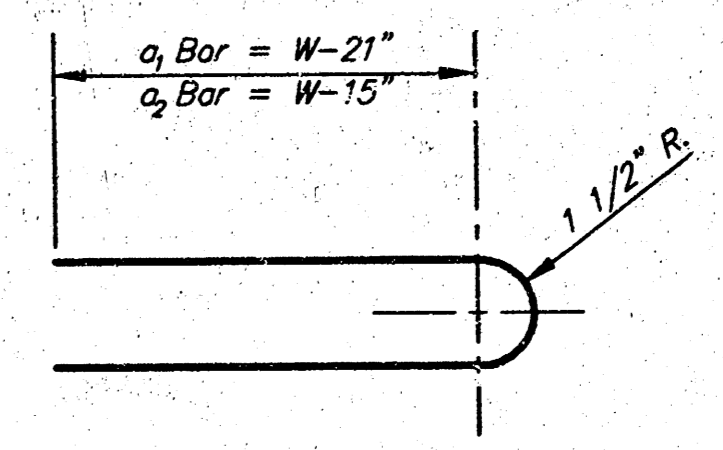
DESIGN: C.O.W. DRAWN: Staff APPROVED: DATE: 6/04 SCALE: NONE

SHEET **3** OF **6**



MANHOLE RING AND COVER

*See City of Wichita Standard Manhole Ring and Cover Detail Sheet for Cover Details to Be Used With Inlet Frame.



BENDING DIAGRAM

STEEL SCHEDULE

BAR NUMBER	SIZE									WT. LBS.		
	a ₁	a ₂	a ₃	b ₁			b ₂	b ₃	b ₄			
4	4	2	1	3	5	7	9	6	1	1		
	#4	#4	#4	#4	#4	#4	#4	#4	#4	#6		
LENGTH	W=4'-4"	5'-7"	6'-7"	4'-0"	6'-1"	-	-	-	1'-9"	6'-2"	4'-8"	60±
	W=5'-4"	7'-7"	8'-7"	5'-0"	6'-1"	-	-	-	1'-9"	6'-2"	4'-8"	81±
	W=6'-4"	9'-7"	10'-7"	6'-0"	6'-1"	-	-	-	1'-9"	6'-2"	4'-8"	101±
	W=7'-4"	11'-7"	12'-7"	7'-0"	6'-1"	-	-	-	1'-9"	6'-2"	4'-8"	121±
W=8'-4"	13'-7"	14'-7"	8'-0"	6'-1"	-	-	-	1'-9"	6'-2"	4'-8"	141±	

Note: a₃ Bars to be Placed Approx. 2" Below Top of Inlet Cover.

W	PRE-CAST TOP SIZE	PIPE SIZE	CU. YD. CONC.
4'-4"	3'-8" 6'-4" 7 1/2"	21" & SMALLER	0.38±
5'-4"	4'-8" 6'-4" 7 1/2"	24" & 30"	0.51±
6'-4"	5'-8" 6'-4" 7 1/2"	36" & 42"	0.64±
7'-4"	6'-8" 6'-4" 7 1/2"	48" & 54"	0.77±
8'-4"	7'-8" 6'-4" 7 1/2"	60" & 66"	0.90±

GENERAL NOTES

- Concrete tops to be installed on thin mortar cushion to insure full support along brick walls. Concrete tops may be cast in place or precast. Concrete used for inlet construction shall be concrete pavement mix.
- Contractor shall have the option of constructing 8" brick masonry walls between the concrete inlet base and top on this inlet when W=6'-4" and H=7'-0" or less.
- Inlet invert shall be shaped with 8 sack sand mix concrete to create flow channels and to increase hydraulic efficiency such that the inlet will be self cleaning between all inlet and/or outlet pipes.
- The ends of all pipes installed in inlets shall be cut off flush with the inside face of the inlet wall.

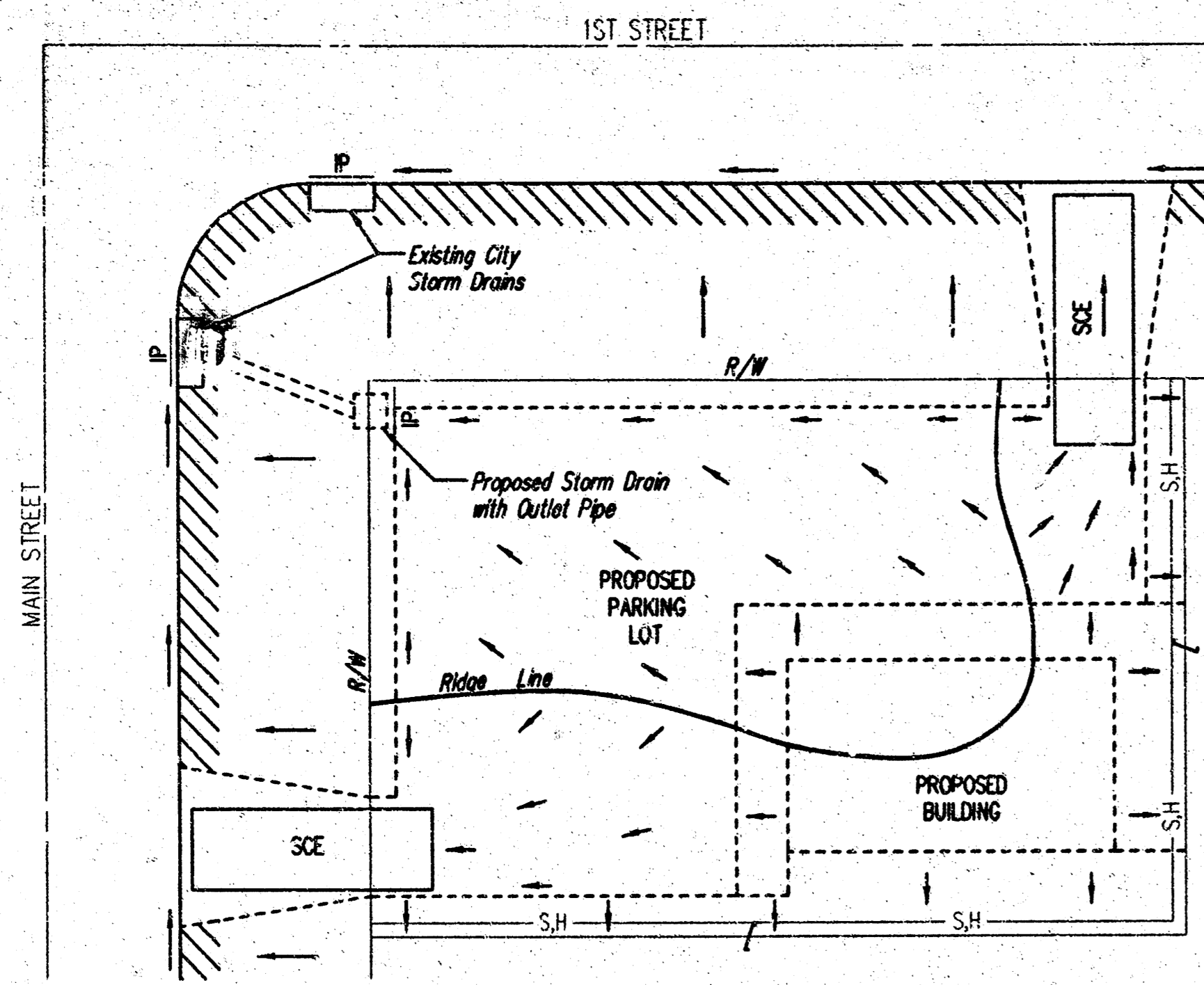
CITY OF WICHITA, KANSAS
TYPE 1 CURB INLET
 INLET OPENING = 6"x5'-0"

BAUGHMAN COMPANY P.A.
 ENGINEERING, SURVEYING, & PLANNING
 316-262-7271 • 315 ELLIS • WICHITA, KANSAS 67211

PROJECT NUMBER
1452 PPS (607881)

DESIGN: C.O.W. DRAWN: STAFF APPROVED: DATE: 6/04 SCALE: NONE

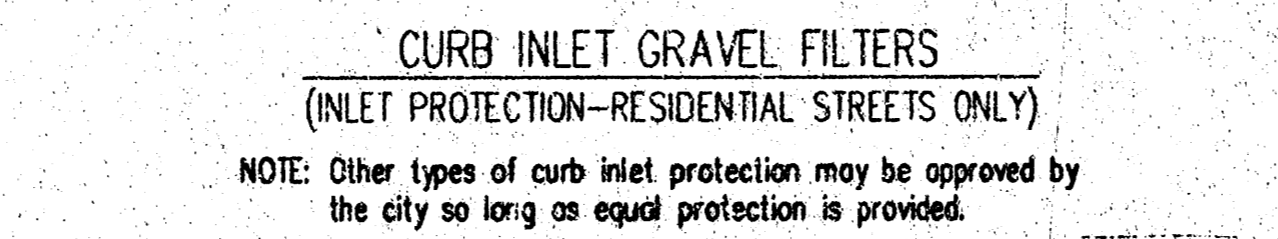
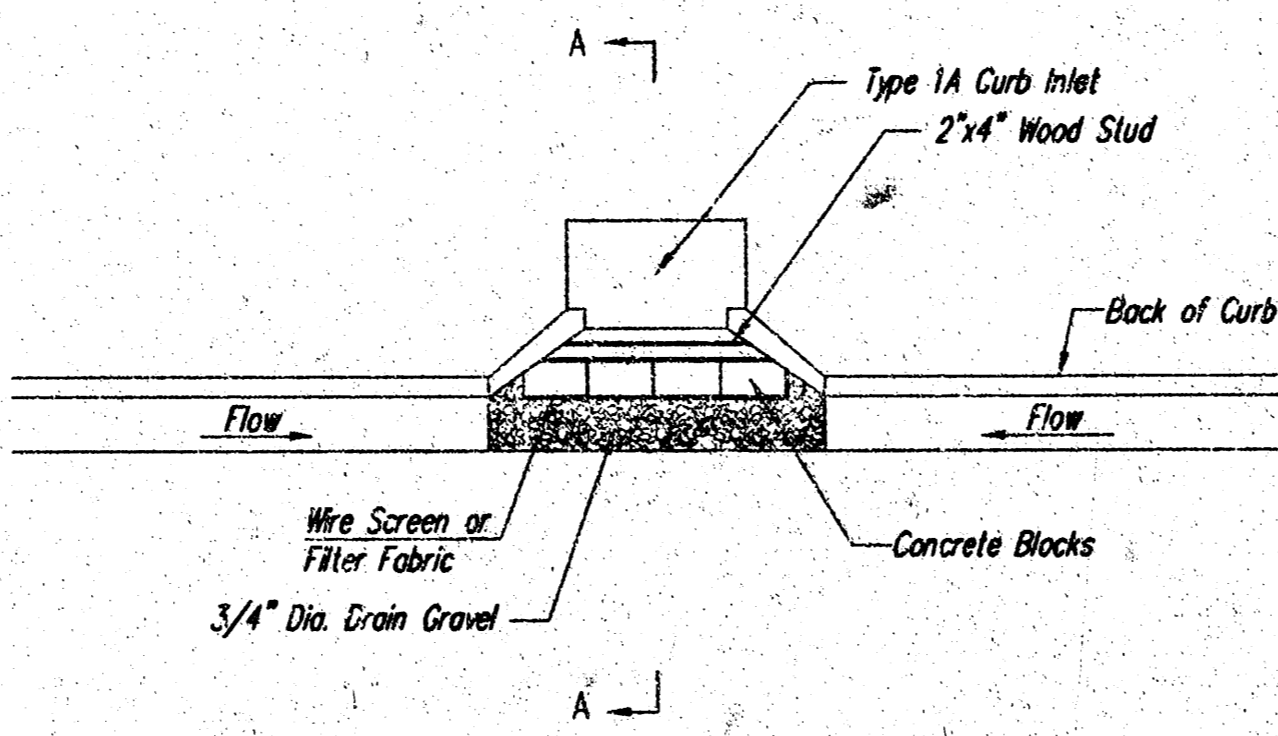
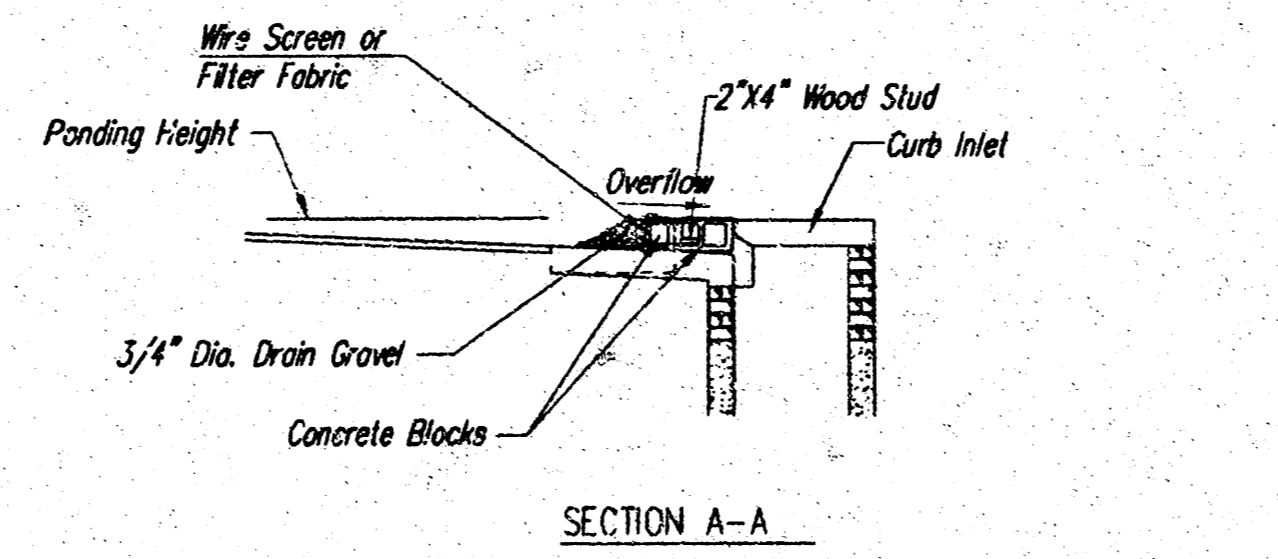
SHEET **4** OF **6**



- LEGEND**
- Flow Direction
 - IP Inlet Protection - to be provided at all inlets subject to silt laden runoff.
 - S,H- Silt Fence or Hay Bale Barrier - to be installed along property lines where runoff from construction site can run onto other properties.
 - SCE Stabilized Construction Entrance - to be used at all locations where vehicles or equipment enter or exit property.
 - Back of Curb Protection - to be installed whenever curb is backfilled to less than 3 inches from top and disturbed earth exists adjacent thereto. (See City Standard Details.)

General Notes

1. This standard detail sheet is a part of your building permit. The BMP's shown on this sheet are considered minimum standards. Whenever sediment enters the streets, storm sewers, ditches, or ponds, contractor will install additional BMP's, as needed, to correct the problem.
2. Follow these general principals on all commercial building sides.
3. The soil erosion BMP's shown hereon must be in place at all times during construction until such time as the site is re-established with paving or grass.
4. Failure to install, protect, and maintain BMP's are violations of Section 16.32 of the City Code and will subject the contractor to the penalties provided therein. Included with your permit is an orange "notice" sign that must be posted on-site in a conspicuous place at all times during construction. This sign is provided to assist you in the maintenance of BMP's.
5. Back of Curb Protection: Can include hay bale, silt fence, or Curlex barrier, as shown on City BMP standard details. This BMP must remain in place until the area between the curb and right-of-way has been permanently stabilized.
6. The General Contractor is responsible for the installation and maintenance of all BMP's.
7. Should the site abut a lake, BMP's will be installed to prevent sediment from entering the lake.
8. Any mud inadvertently tracked onto any street will be cleaned up by the general contractor at the end of each day's work.



A gravel inlet filter shall be installed at sump locations on residential streets. This type of protection is not to be used on arterial or collector streets at any time that it would pose an undue traffic hazard.

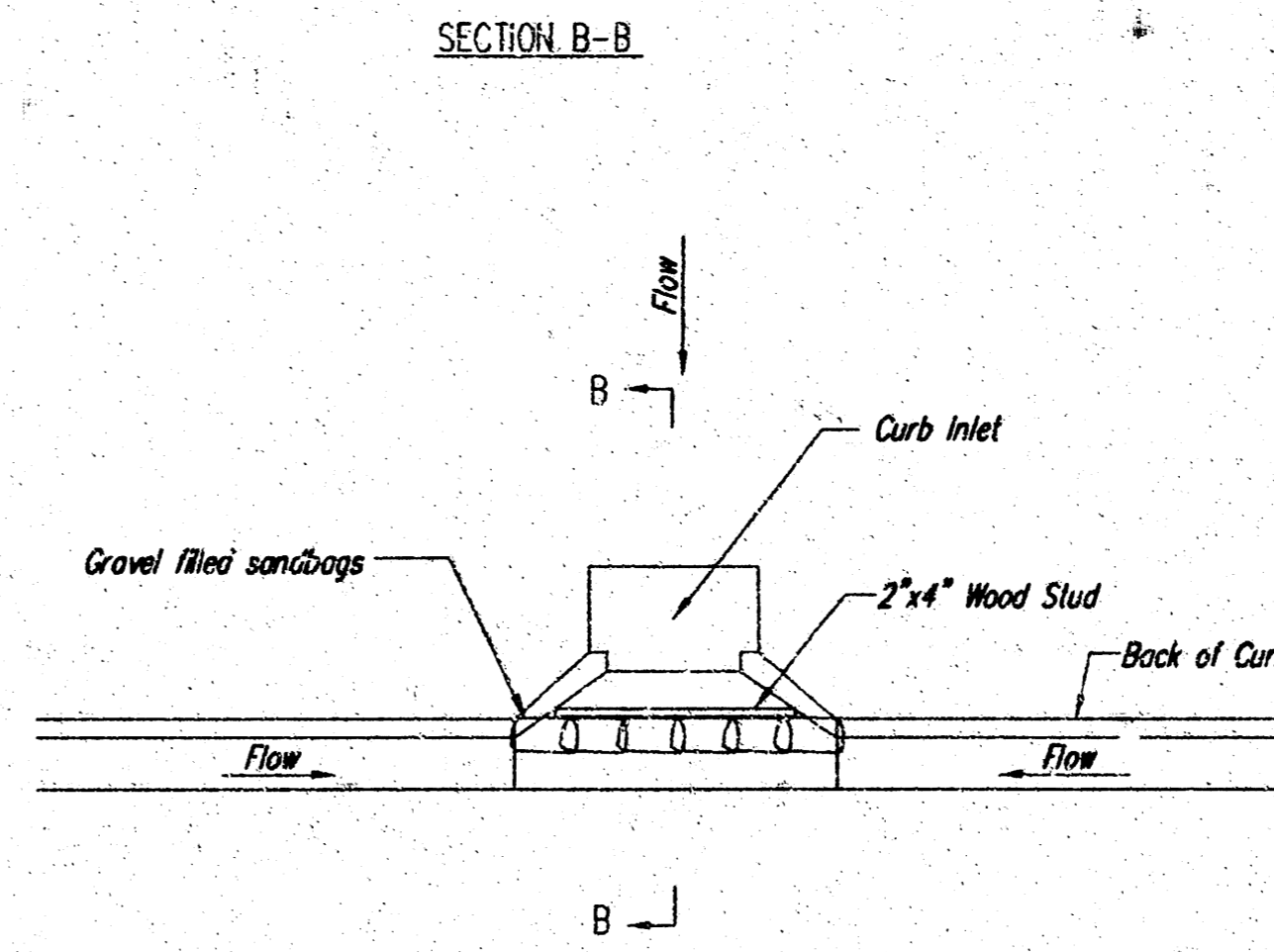
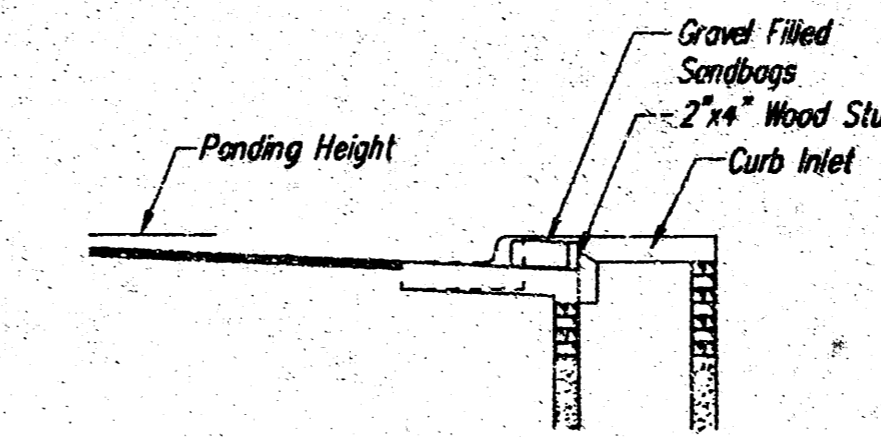
Instructions for Installing:

- STEP 1: Place concrete blocks around the inlet. Insert 2x4 board as shown.
- STEP 2: Wrap 1/2" mesh wire screen around the concrete blocks.
- STEP 3: Place 1" to 1-1/2" diameter rock around the blocks and wire screen. Be sure the rock extends down from the top of the concrete block.
- STEP 4: To prevent damage to vehicles, signs warning drivers about the structures may be necessary. An alternative installation is the use of gravel bags supported by a 2"x4" board to prevent collapsing.

Use of rock with diameters smaller than 1" in the bag may result in clogging of pores and reduce the amount of water flowing into an inlet.

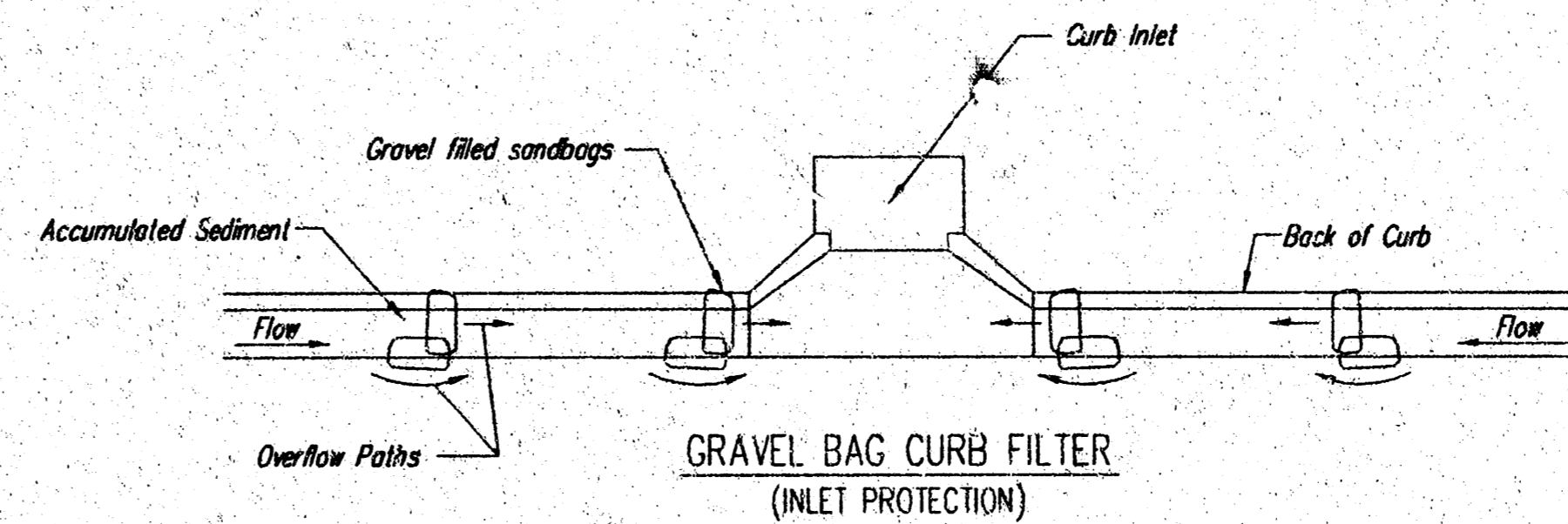
Maintenance:

All curb inlet gravel filters shall be inspected and repaired after each runoff event. Sediment deposits are to be removed once material is within 8 cm (3 inches) of the top of any block. Periodically, the gravel shall be raked to increase infiltration and filtering of runoff waters. Accumulated sediment is to be removed immediately from roads and streets.



CURB INLET SANDBAG FILTERS (INLET PROTECTION)

NOTE: Other types of curb inlet protection may be approved by the City so long as equal protection is provided.



NOTE: Using two or more sets of bags in a manner that results in a firm support. The flow line bag must be lower than top of curb.

CURB SEDIMENT TRAPS

When inlets are located on streets having a grade (i.e., sump conditions do not exist), installing gravel (or sand) bags in the gutter flow line to create small sediment traps can be considered. Gravel bags are recommended over sand bags to allow for drainage.

If the spacing between bags becomes too large, little sediment may be trapped. Spacing of bags should be completed using the table or graph that illustrates placement distances based upon street slope. When installed in the gutter, bag tops must be lower than the sidewalk.

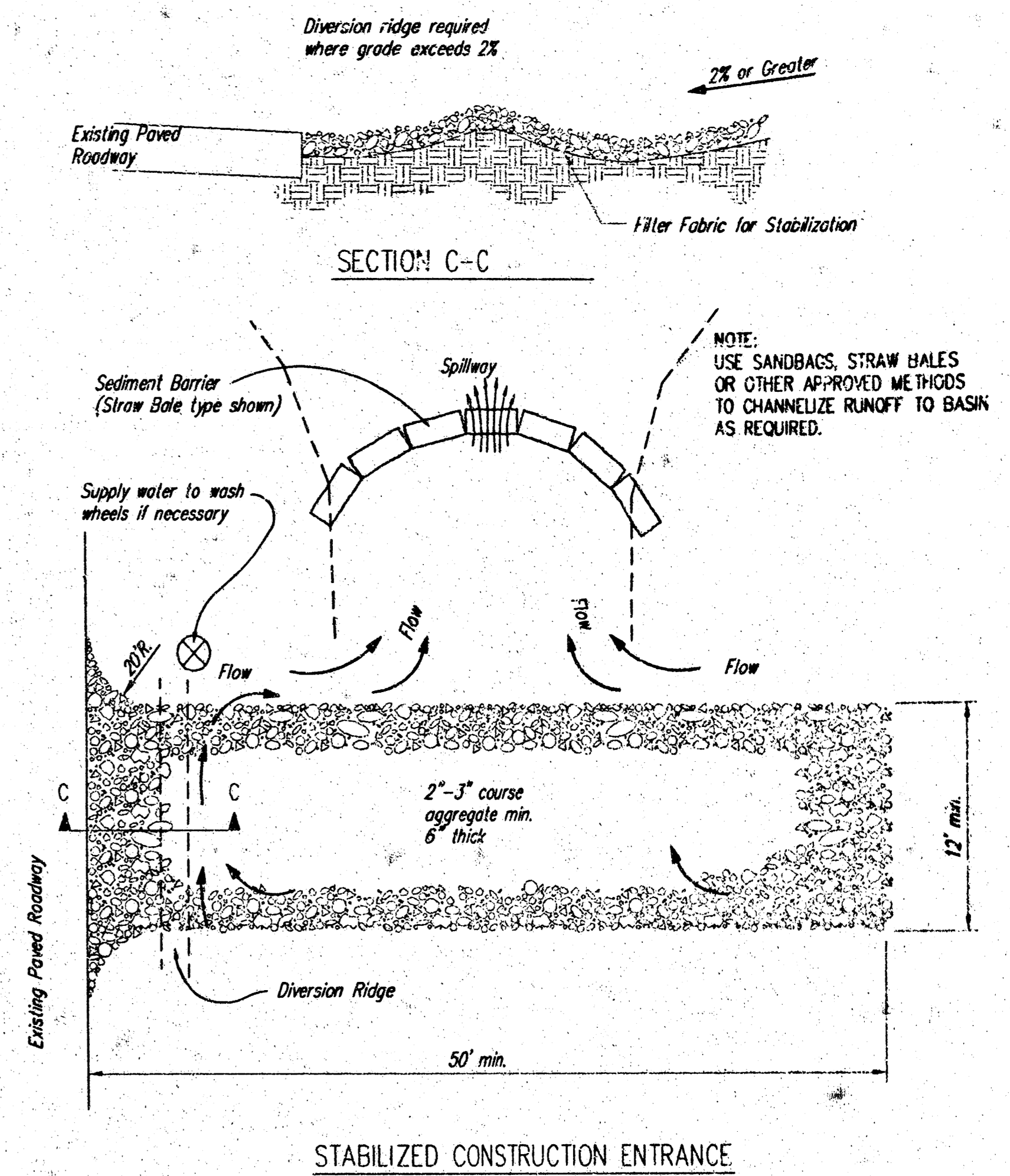
Spacing:

Gravel bags are to be placed according to street grades using the following table or graph that appears below.

GRADE (%)	SPACING (FEET)
0.5	75
1.0	45
2.0	18
3.0	12
4.0	9
5.0	6

Maintenance:

Collected sediment shall be removed after every runoff event. Bags that are destroyed by vehicular traffic or through natural deterioration are to be immediately replaced.



NOTES:

1. THE ENTRANCE SHALL BE MAINTAINED IN A CONDITION THAT WILL PREVENT TRACKING OR FLOWING OF SEDIMENT ONTO PUBLIC RIGHTS-OF-WAY. THIS MAY REQUIRE TOP DRESSING, REPAIR AND/OR CLEANOUT OF ANY MEASURES USED TO TRAP SEDIMENT.
2. WHEN NECESSARY, WHEELS SHALL BE CLEANED PRIOR TO ENTRANCE ONTO PUBLIC RIGHT-OF-WAY.
3. WHEN WASHING IS REQUIRED, IT SHALL BE DONE ON AN AREA STABILIZED WITH CRUSHED STONE THAT DRAINS INTO AN APPROVED SEDIMENT TRAP OR SEDIMENT BASIN, AS SHOWN ABOVE.
4. DRIVE ENTRANCES ONTO RESIDENTIAL LOTS WILL NOT BE REQUIRED TO HAVE THE SEDIMENT BARRIER SHOWN, BUT WHEEL WASHING MAY BE REQUIRED IF STABILIZED ENTRANCE IS NOT SUFFICIENT TO KEEP MUD FROM BEING TRACKED ONTO ADJACENT STREET. ENTRANCE SHALL EXTEND FROM BACK OF CURB TO DWELLING.

**SOIL EROSION
BMP DETAILS**

CHRISTOPHER M. CARRIER, P.E.
STORM WATER ENGINEER

PROJECT NUMBER: 1452 PPS (607861) GCA NO.: NA

DATE: 6/04 SHEET 5 OF 6

