

Found 3/4" Pipe
SW Cor. Lot 14 Blk A
Santa Fe Industrial District

30th Street North

PLACE 16 FEET OF FLOWABLE FILL

STATION 0+00 - CONNECT TO EXISTING
MANHOLE (STATION 18+37.7 CITY RECORDS)
TOP ELEVATION = 129.70 CITY DATUM

REPLACE GRAVEL ROADWAY DISTURBED BY
CONSTRUCTION WITH 6" OF AB-3 ROCK
AND GRADE TO MATCH EXISTING ROADWAY
SURFACE.

St. Francis

STATION 0+33.0
CONSTRUCT 8" CLEANOUT RISER
ASSEMBLY, SEE DETAIL THIS SHEET.

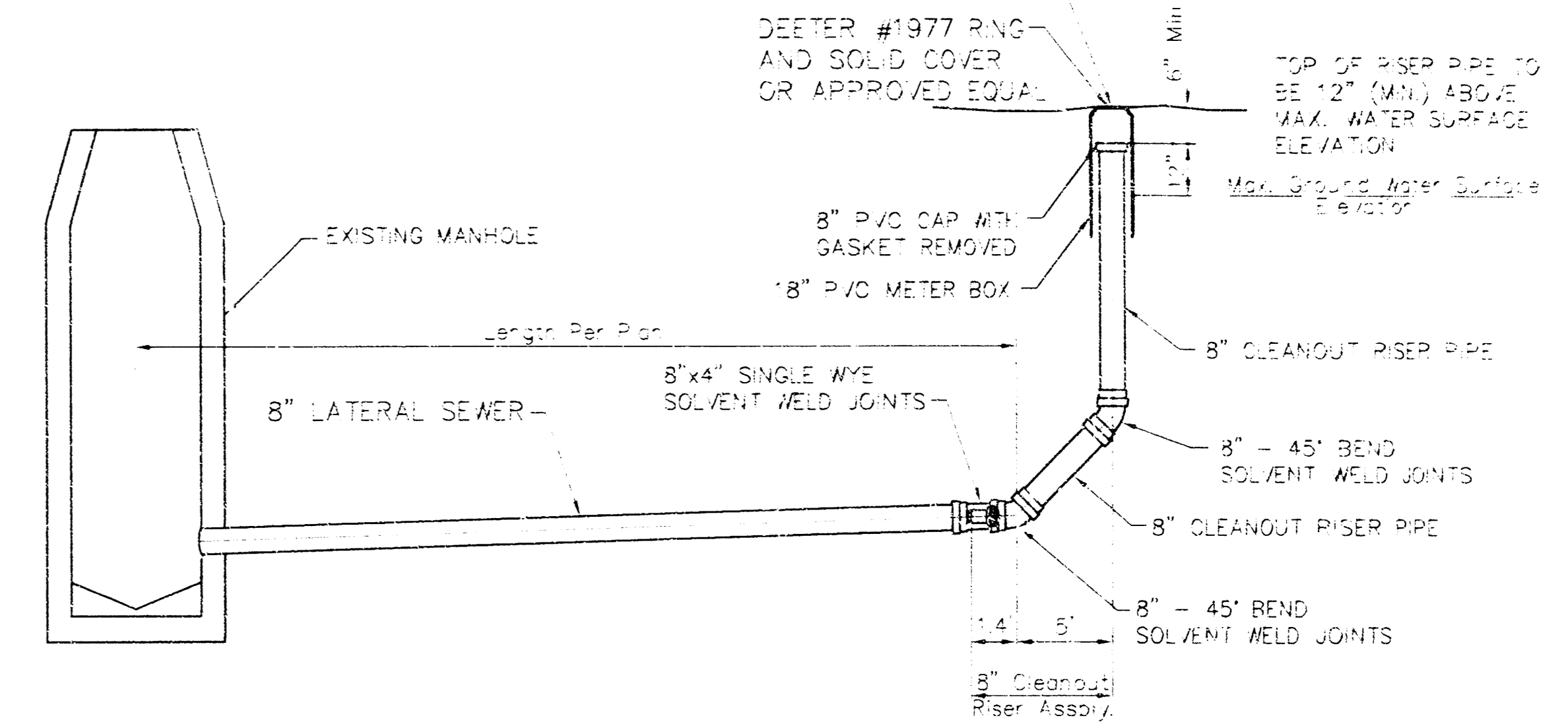
PROPOSED SEWER SERVICE LINE
(BY OTHERS)

CAUTION!! HIGH PRESSURE 12"
KANSAS GAS SERVICE PIPELINE
CROSSING. USE EXTREME CAUTION
AROUND PIPELINE. CONTRACTOR
SHALL CONTACT JIM COE WITH
KANSAS GAS SERVICE AT 832-3126
TO COORDINATE PIPELINE WORK
PRIOR TO ANY CONSTRUCTION

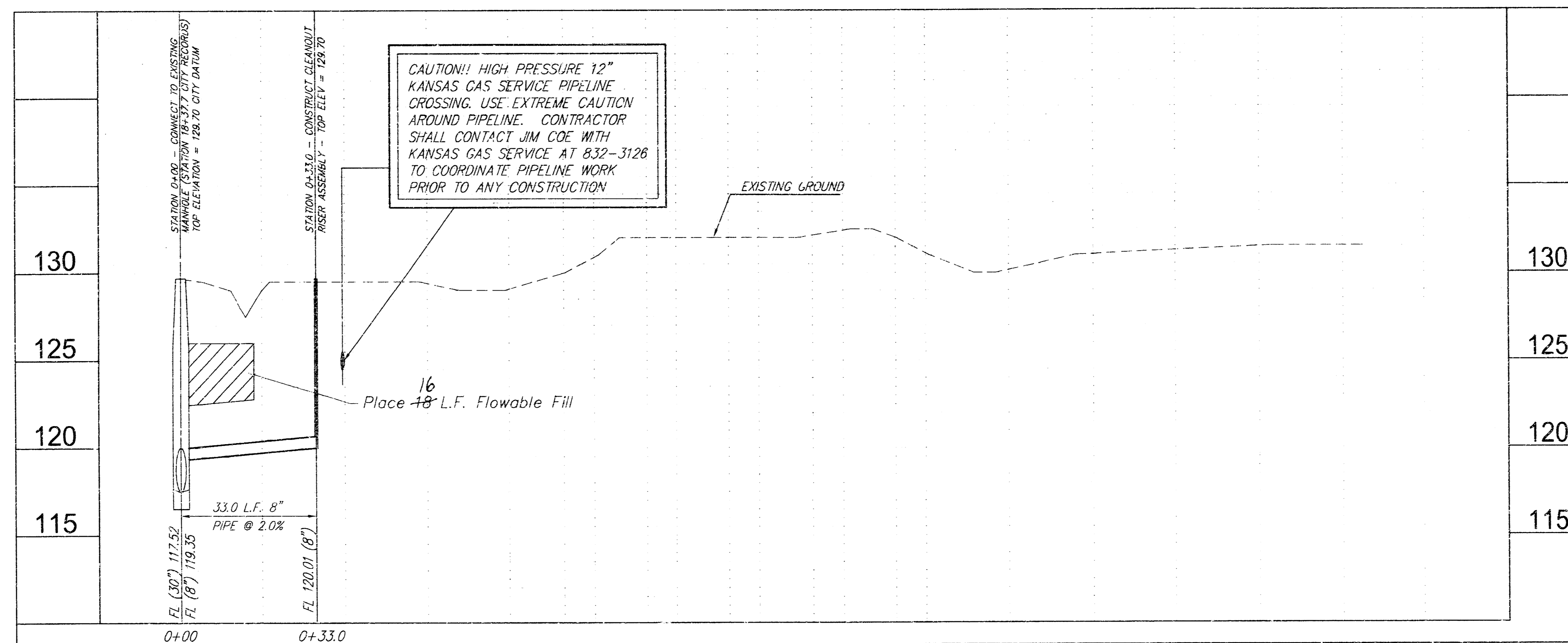


Scale 1" = 20' Horiz.
Scale 1" = 5' Vert.

STATION PER PLAN



8" CLEANOUT RISER
ASSEMBLY DETAIL



Handwritten signature and initials

PRIVATE SANITARY SEWER EXTENSION SERVING
BARTLETT GRAIN FACILITY
KEY NUMBER B 0016800UP

Ruggles & Bohm, P.A.
Engineering, Surveying, Land Planning

924 North Main (316) 264-8008
Wichita, Kansas 67203 (316) 264-4621 fax
www.rbkansas.com E-mail: info@rbkansas.com

DESIGN: CMB	SHEET: 2
DRAWN: R.A.	
REVIEW:	OF: 2
UTILITY:	DATE: March 31, 06
DRAWING FILE: base	PROJECT NUMBER: