

CITY OF WICHITA, KANSAS

MICHAEL E. LINDEBAK, P.E., CITY ENGINEER

STORM WATER SEWER NO. 394

SHEET NO.	TOTAL SHEETS
1	1

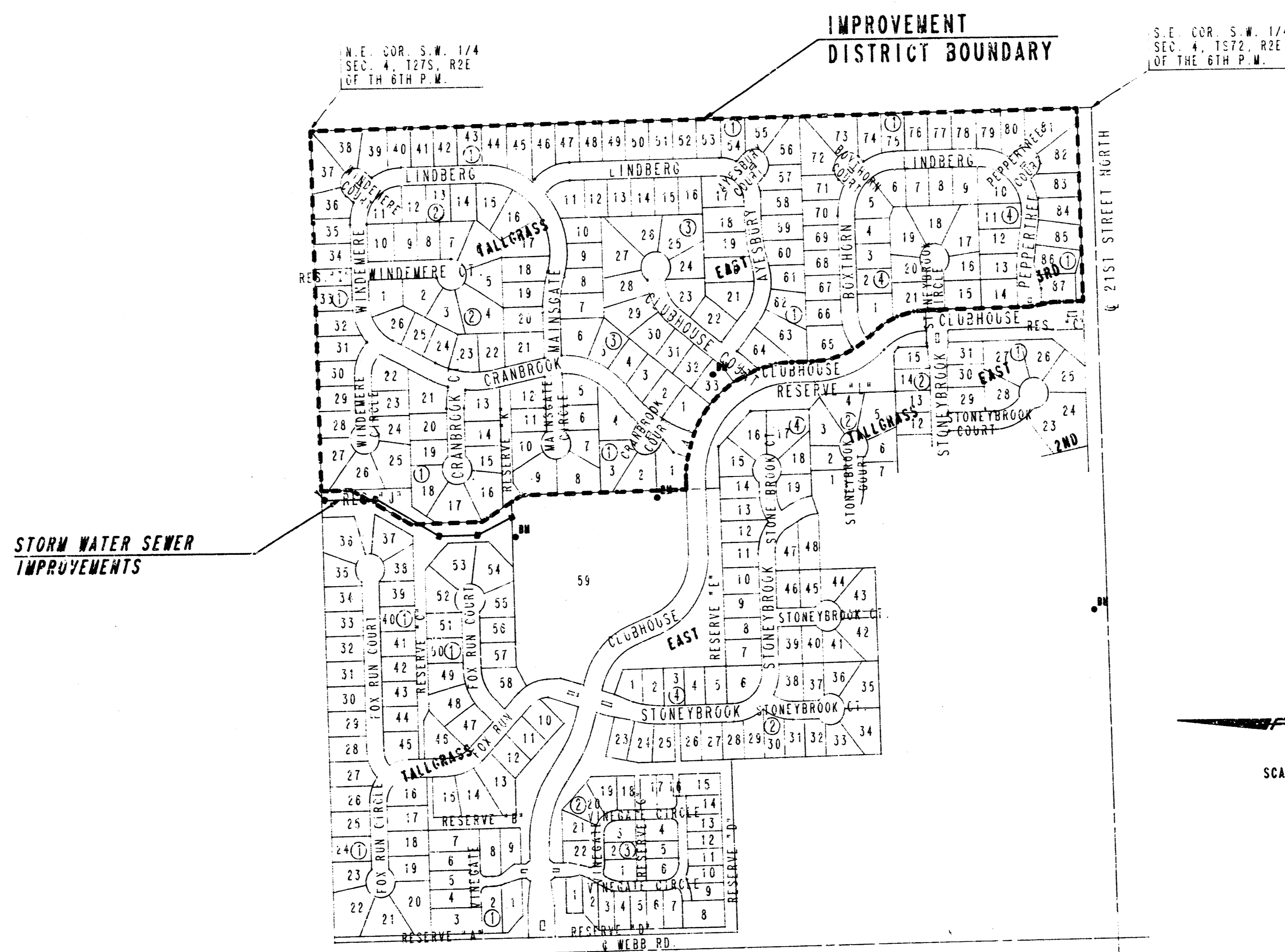
TALLGRASS EAST 3RD ADDITION
 CITY OF WICHITA PROJECT NO. 468-76-245-82009-000-000-001
 INDEX NO. 750109

INDEX OF SHEETS

1. TITLE SHEET
- 2.-3. PLATS
- 4.-5. STORM WATER SEWER - PLAN AND PROFILE
6. STD. AND SPECIAL AREA INLETS

PROJECT SURVEY CONTROL

- PROJECT DATUM : CITY OF WICHITA DATUM
- DATUM BENCH MARK: CHISELED "0" N.E. CORNER RCB HEADWALL APPROX. 335' WEST OF CENTERLINE CLUBHOUSE ON 21ST ST. NORTH
 ELEV. +202.55
- BENCH MARK : "1" POST 0.5' BELOW SURFACE APPROX. 39' SOUTH AND 73' WEST OF S.W. CORNER LOT 17, BLOCK 1 TALLGRASS EAST 3RD ADDITION. ELEV. +210.32
- BENCH MARK : RAILROAD SPIKE IN W.E. FACE 18" ELM IN LOT 33, BLOCK 3, TALLGRASS EAST 3RD ADDITION. ELEV. +211.72
- BENCH MARK : RAILROAD SPIKE IN EAST FACE 30" ELM APPROX. 100' NORTH AND 32' WEST OF THE S.W. CORNER LOT 1, BLOCK 1, TALLGRASS EAST 3RD ADDITION. ELEV. +215.855



GENERAL NOTES

UNDERGROUND UTILITY SERVICE LINES AND OVERHEAD UTILITY POLE LINES ARE TO BE ADJUSTED AS NECESSARY BY OTHERS PRIOR TO CONSTRUCTION UNLESS THE PLANS SPECIFICALLY CALL FOR THEIR ADJUSTMENT BY THE CONTRACTOR. EXISTING UTILITIES AND THEIR LOCATION, AS SHOWN ON THE PLANS, REPRESENT THE BEST INFORMATION OBTAINABLE FOR DESIGN. LOCATION INFORMATION HAS BEEN OBTAINED FROM THE VARIOUS UTILITY COMPANIES AND IS EITHER FROM COMPANY RECORD DRAWINGS OR COMPANY PROVIDED FIELD LOCATIONS. THE CONTRACTOR WILL BE REQUIRED TO WORK AROUND EXISTING UTILITIES WITHIN THE RIGHT-OF-WAY WHICH DO NOT CONFLICT WITH PROPOSED CONSTRUCTION.

RUBBLE FROM THE REMOVAL OF MISCELLANEOUS STRUCTURES AND EXCESS EXCAVATION WHICH IS TO BE WASTED SHALL BE DISPOSED OF ON SITES TO BE PROVIDED BY THE CONTRACTOR. THESE SITES SHALL BE APPROVED BY THE ENGINEER AS TO SUITABILITY, APPEARANCE AND SITE LOCATION. LOCATIONS THAT, IN THE OPINION OF THE ENGINEER, WILL LEAVE AN UNSIGHTLY APPEARANCE WILL NOT BE APPROVED.

CONTRACTOR SHALL SATISFY HIMSELF OF SUBSURFACE CONDITIONS PRIOR TO CONSTRUCTION.

TREES AND SHRUBS IN PUBLIC RIGHT-OF-WAY WHICH ARE IN DIRECT CONFLICT WITH PROPOSED NEW CONSTRUCTION SHALL BE REMOVED BY THE CONTRACTOR WITH THE ENGINEER'S APPROVAL. TREES AND SHRUBS WHICH ARE NOT IN DIRECT CONFLICT WITH PROPOSED NEW CONSTRUCTION SHALL BE SAVED AND PROTECTED FROM DAMAGE.

CONTRACTOR WILL BE REQUIRED TO PROVIDE A MINIMUM ADVANCE NOTICE OF TWENTY-FOUR (24) HOURS TO UTILITY COMPANIES PRIOR TO STARTING ANY EXCAVATION AS FOLLOWS:

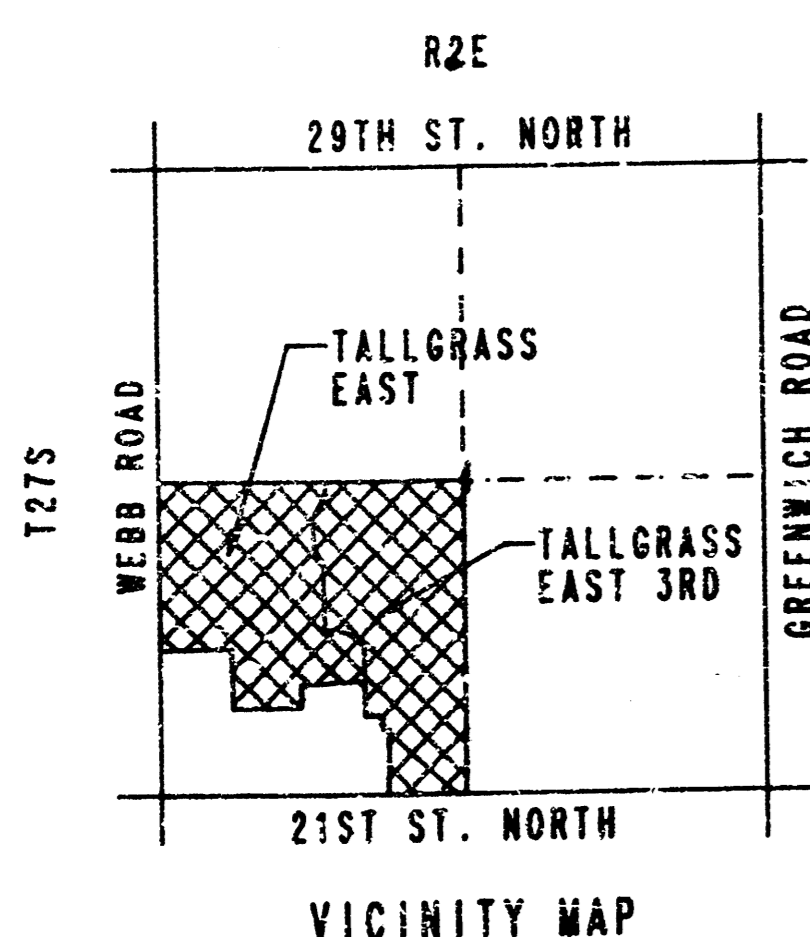
SOUTHWESTERN BELL TELEPHONE COMPANY	1-316-571-2611
CABLEVISION	262-4270 OR 253-2061
KPL GAS SERVICE	263-7511
KANSAS GAS & ELECTRIC	264-1141
CITY OF WICHITA WATER DEPARTMENT	268-4908
CITY OF WICHITA SEWER DEPARTMENT	268-4071
APKA GAS COMPANY	942-8350 OR 263-3161

THE CONTRACTOR SHALL BE RESPONSIBLE FOR PRESERVING PROPERTY IRONS. THE CONTRACTOR WILL BE REQUIRED TO RE-ESTABLISH ANY PROPERTY IRONS WHICH ARE DAMAGED OR DESTROYED BY HIS CONSTRUCTION OPERATIONS. SUCH IRONS SHALL BE RE-ESTABLISHED BY A LICENSED LAND SURVEYOR IN ACCORDANCE WITH STATE LAWS.

PROPERTIES WITHIN THE PROJECT LIMITS MAY HAVE UNDERGROUND SPRINKLER SYSTEMS IN PUBLIC RIGHTS-OF-WAY WHICH CONFLICT WITH NEW CONSTRUCTION. CONTRACTOR WILL BE REQUIRED TO REMOVE SUCH IMPROVEMENTS SHOULD THEY NOT BE REMOVED BY THEIR OWNER AT THE TIME OF CONSTRUCTION OF THE PROJECT. THE CONTRACTOR WILL BE REQUIRED TO SALVAGE ALL SPRINKLER HEADS AND/OR VALVES AND GIVE SUCH MATERIAL TO THEIR OWNER. PORTIONS OF UNDERGROUND SPRINKLER SYSTEMS NOT IN CONFLICT WITH NEW CONSTRUCTION SHALL BE PROTECTED FROM DAMAGE AND SHALL REMAIN IN PLACE. ALL WORK IN CONNECTION WITH UNDERGROUND SPRINKLER SYSTEMS SHALL BE CONSIDERED AS SUBSIDIARY TO THE CONTRACT PAY ITEMS OF WORK.

AREAS WITHIN RESERVE "A" TALLGRASS EAST AND RESERVE "B" TALLGRASS EAST SHALL BE GRADED, SEED, FERTILIZED, AND MULCHED IN ACCORDANCE WITH CITY SPECIFICATIONS. THIS WORK SHALL BE CONSIDERED SUBSIDIARY TO OTHER WORK ITEMS.

SOME FILL MATERIAL MAY BE AVAILABLE ON-SITE FOR USE IN REGRADING CONSTRUCTION LIMITS. CONTRACTORS SHALL CONTACT RITCHEY DEVELOPMENT CORP. AT 664-7300 OR PROFESSIONAL ENGINEERING CONSULTANTS AT 262-2691 PRIOR TO BID TO VERIFY QUANTITIES.



SCALE: 1" = 300'

JANUARY, 1990
 PLANS PREPARED BY
PROFESSIONAL ENGINEERING CONSULTANTS, P.A.
 ENGINEERS
 WICHITA, KANSAS

Booked: 6-90, MCG



FILMED FROM THE BEST AVAILABLE COPY.....

PROJECT NO.	SHEET NO.	TOTAL SHEETS
468-76-245-82000-000-001	2	6

TALLGRASS EAST 3RD ADDITION

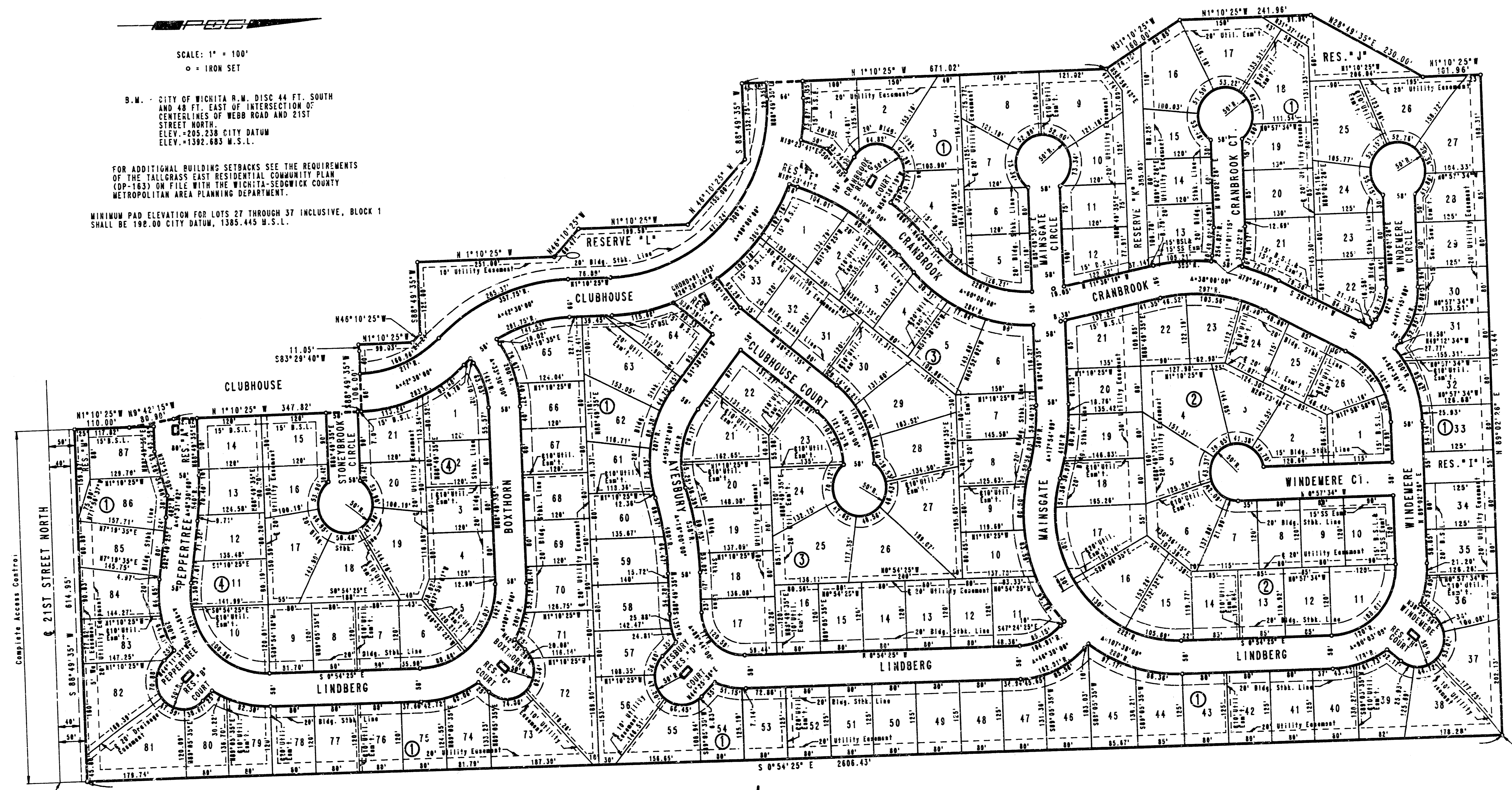
TO WICHITA, SEDGWICK COUNTY, KANSAS

SCALE: 1" = 100'
 ○ = IRON SET

B.M. = CITY OF WICHITA R.W. DISC 44 FT. SOUTH AND 48 FT. EAST OF INTERSECTION OF CENTERLINES OF WEBB ROAD AND 21ST STREET NORTH.
 ELEV. = 205.238 CITY DATUM
 ELEV. = 1392.683 M.S.L.

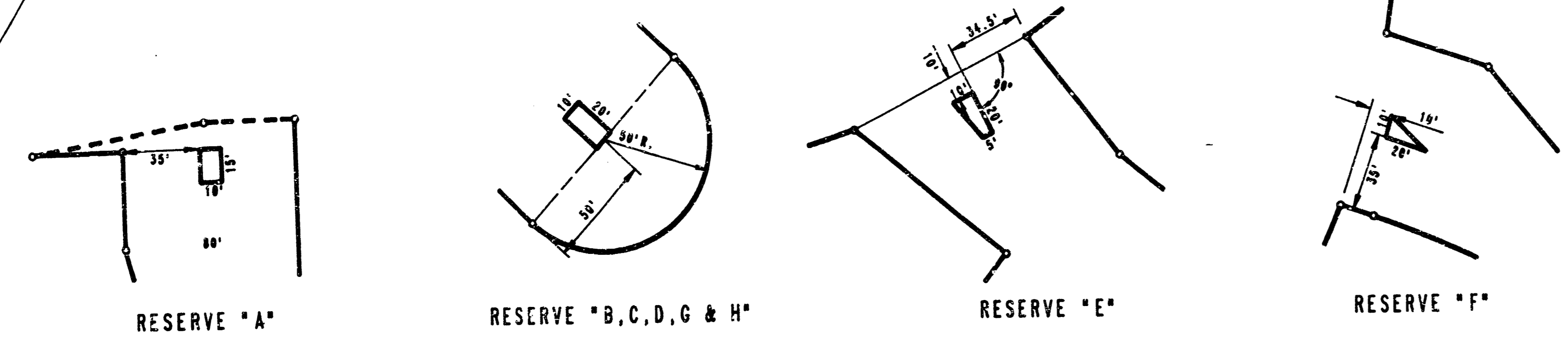
FOR ADDITIONAL BUILDING SETBACKS SEE THE REQUIREMENTS OF THE TALLGRASS EAST RESIDENTIAL COMMUNITY PLAN (DP-163) ON FILE WITH THE WICHITA-SEDGWICK COUNTY METROPOLITAN AREA PLANNING DEPARTMENT.

MINIMUM PAD ELEVATION FOR LOTS 27 THROUGH 37 INCLUSIVE, BLOCK 1 SHALL BE 102.00 CITY DATUM, 1385.445 M.S.L.



S.E. COR. S.W. 1/4 SEC. 4, T57S, R2E OF THE 6TH P.M.

N.E. COR. S.W. 1/4 SEC. 4, T27S, R2E OF THE 6TH P.M. POINT OF BEGINNING



STORM WATER SEWER NO. 394

PLAT

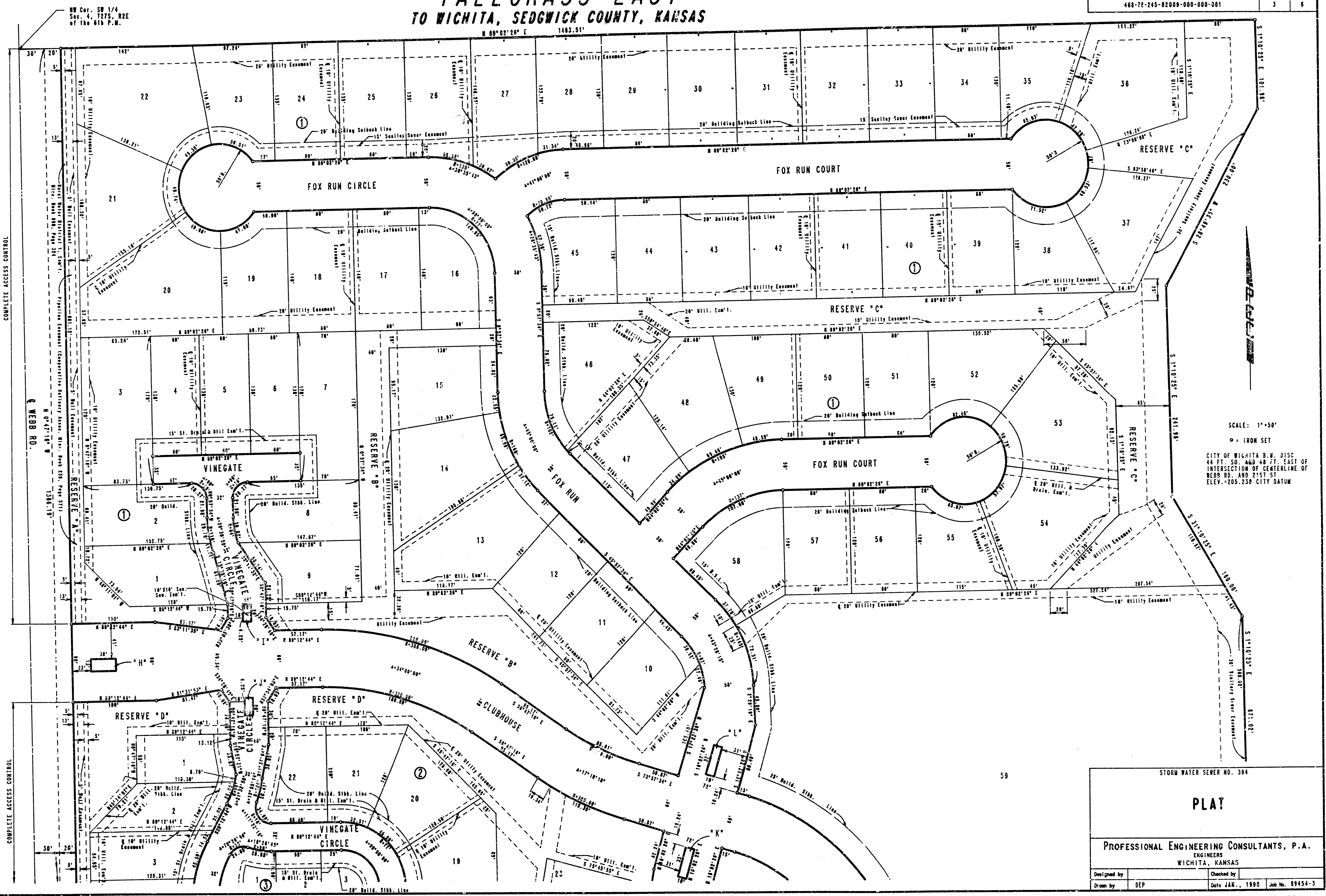
PROFESSIONAL ENGINEERING CONSULTANTS, P.A.
 ENGINEERS
 WICHITA, KANSAS

Designed by	Checked by
Drawn by DEP	Date JAN., 1990 Job No. 89454-3

FILMED FROM THE BEST AVAILABLE COPY

TALLGRASS EAST TO WICHITA, SEDGWICK COUNTY, KANSAS

PROJECT NO.	SHEET NO.	TOTAL SHEETS
468-76-245-82009-000-000-001	3	6



SCALE: 1"=50'
 ○ - IRON SET
 CITY OF WICHITA S.W. DISC
 44 FT. S.D. AND 48 FT. EAST OF
 INTERSECTION OF CENTERLINE OF
 WEBB RD. AND 21ST ST.
 ELEV. -205.236' CITY DATUM

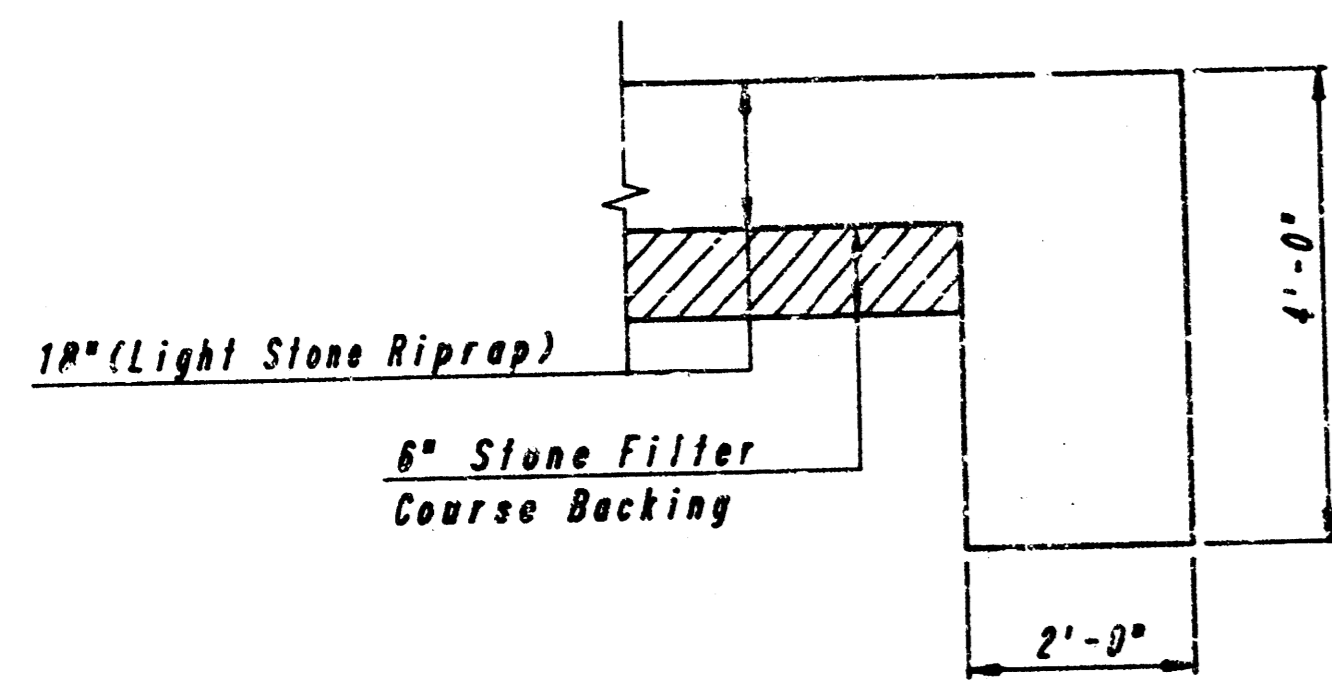
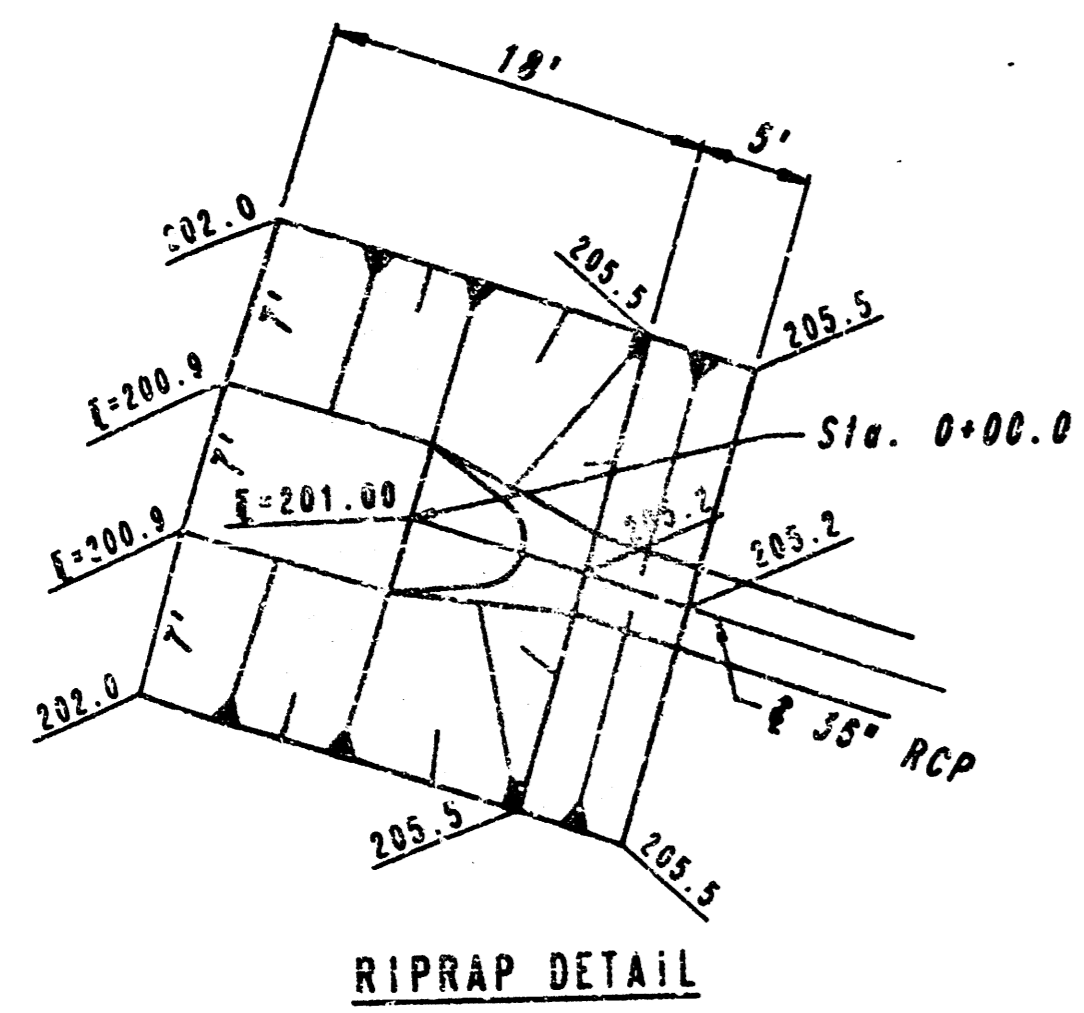
STORM WATER SEWER NO. 394

PLAT

PROFESSIONAL ENGINEERING CONSULTANTS, P.A.
 ENGINEERS
 WICHITA, KANSAS

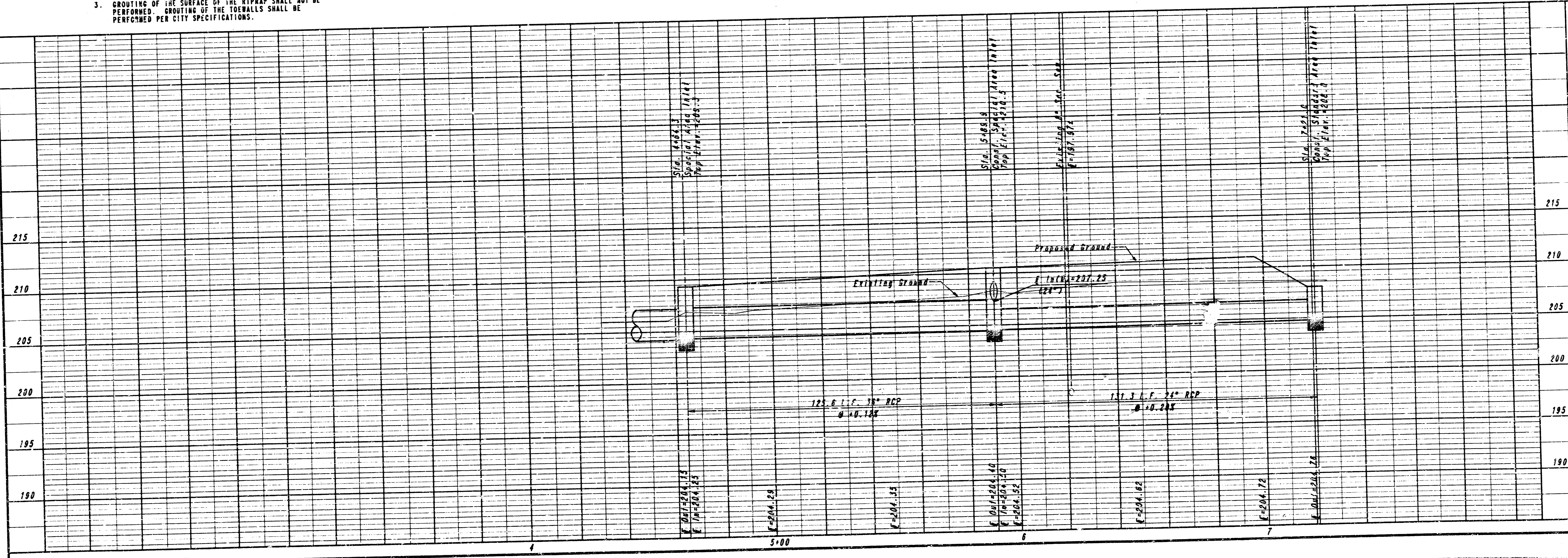
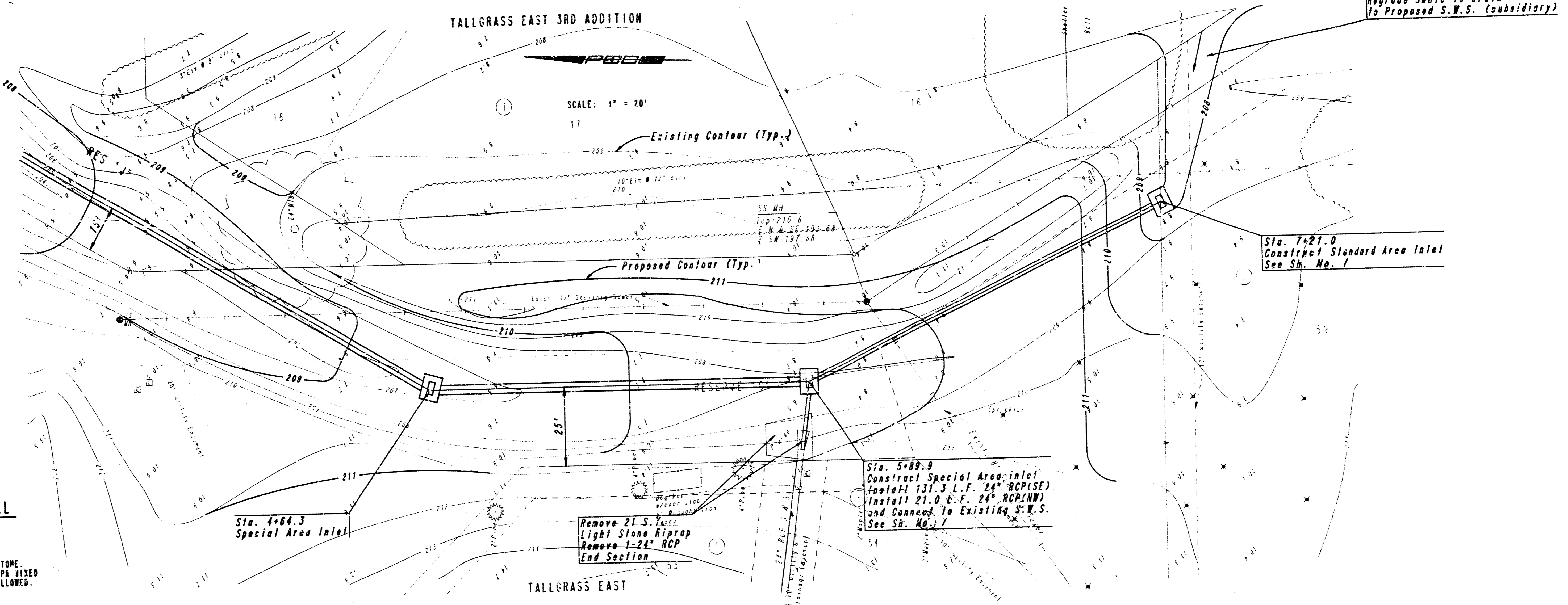
Designed by	Checked by
Drawn by DEP	Date JAN., 1990 Job No. 89454-3

**FILMED FROM THE BEST
AVAILABLE COPY**



TYPICAL SECTION THRU TOEWALL
NO SCALE

- NOTES
1. ALL RIPRAP FOR THIS PROJECT SHALL BE NATURAL STONE, NEITHER WOODEN CONCRETE, FABRIC ENVELOPE, NOR PACKED DRY PACKAGED CONCRETE BAG ALTERNATIVES WILL BE ALLOWED.
 2. TOEWALLS SHALL BE INSTALLED ALONG ALL EDGES OF STONE RIPRAP.
 3. GROUTING OF THE SURFACE OF THE RIPRAP SHALL NOT BE PERFORMED. GROUTING OF THE TOEWALLS SHALL BE PERFORMED PER CITY SPECIFICATIONS.



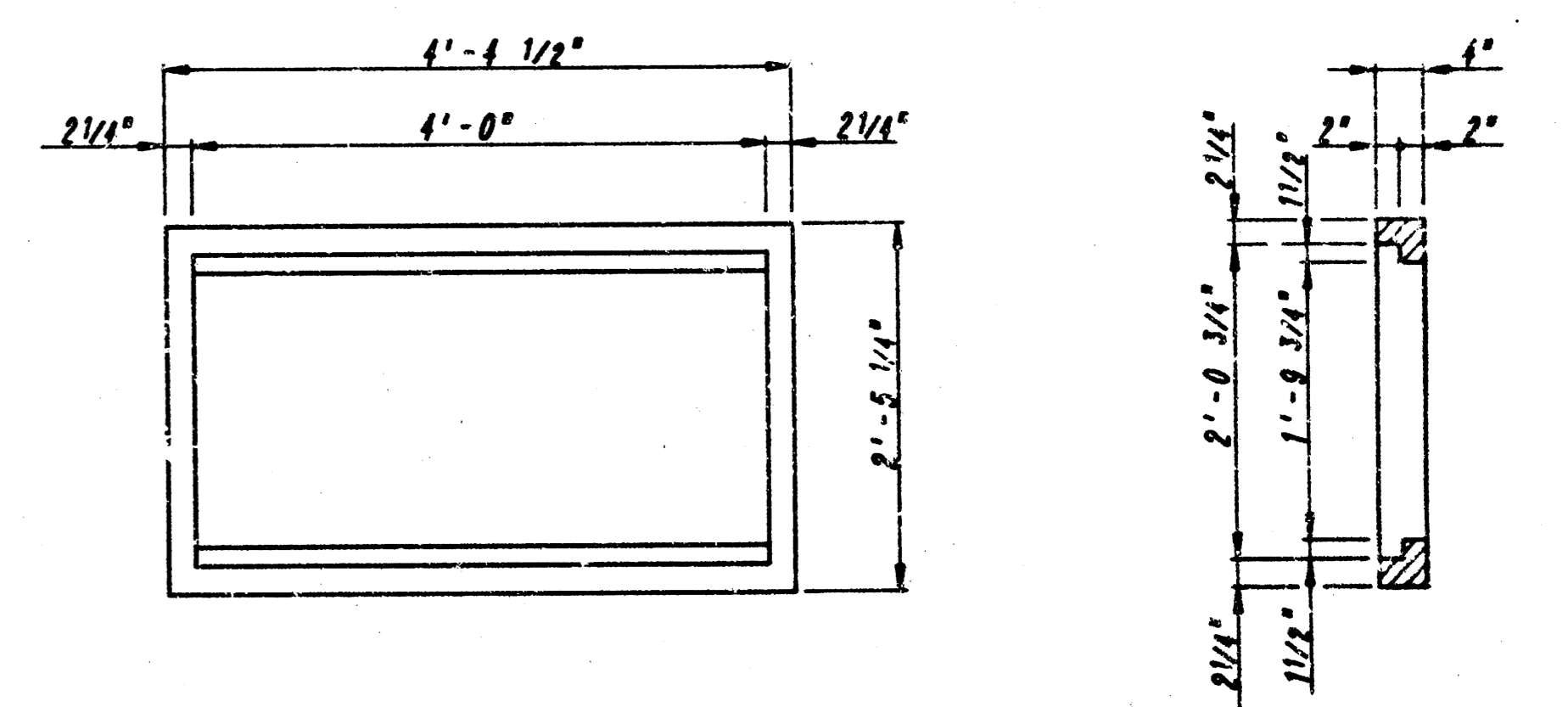
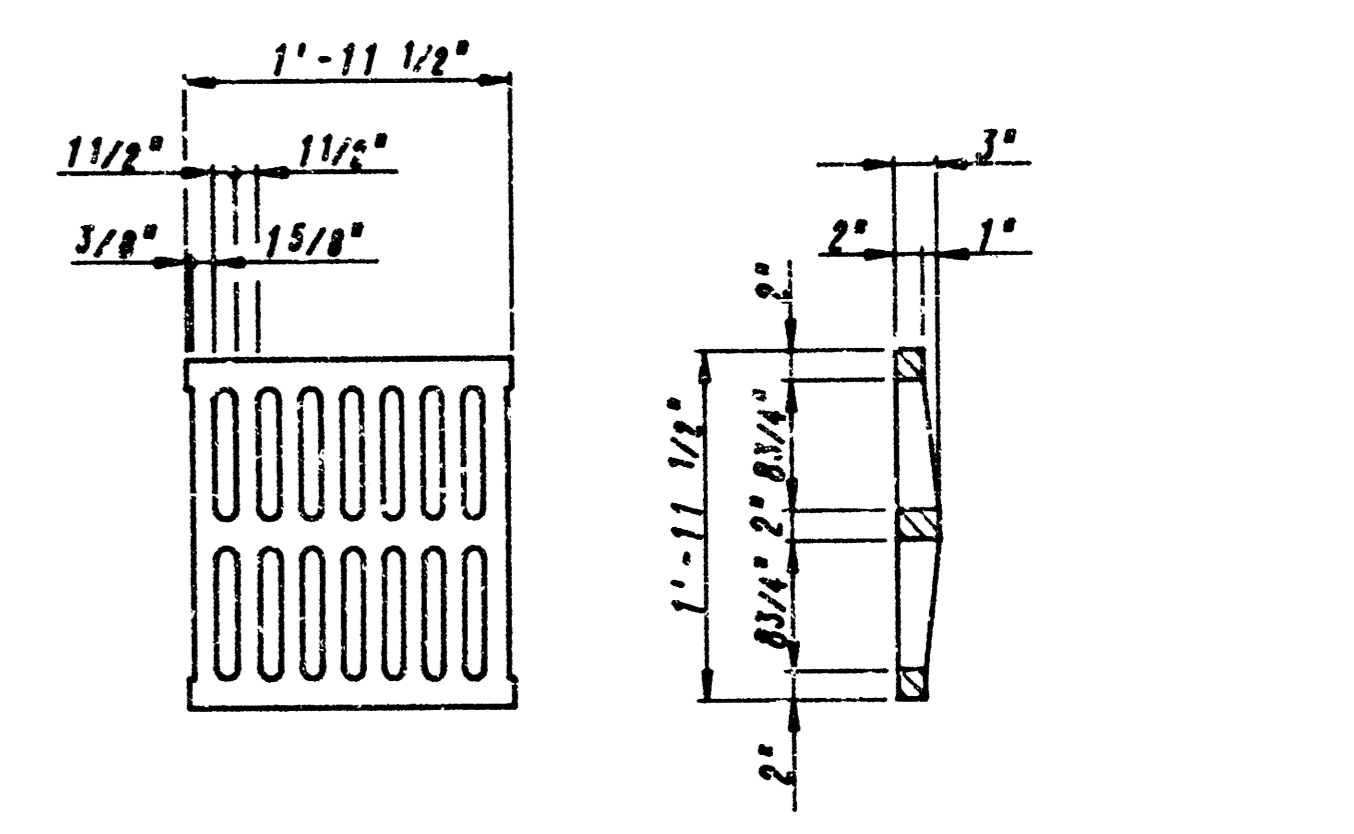
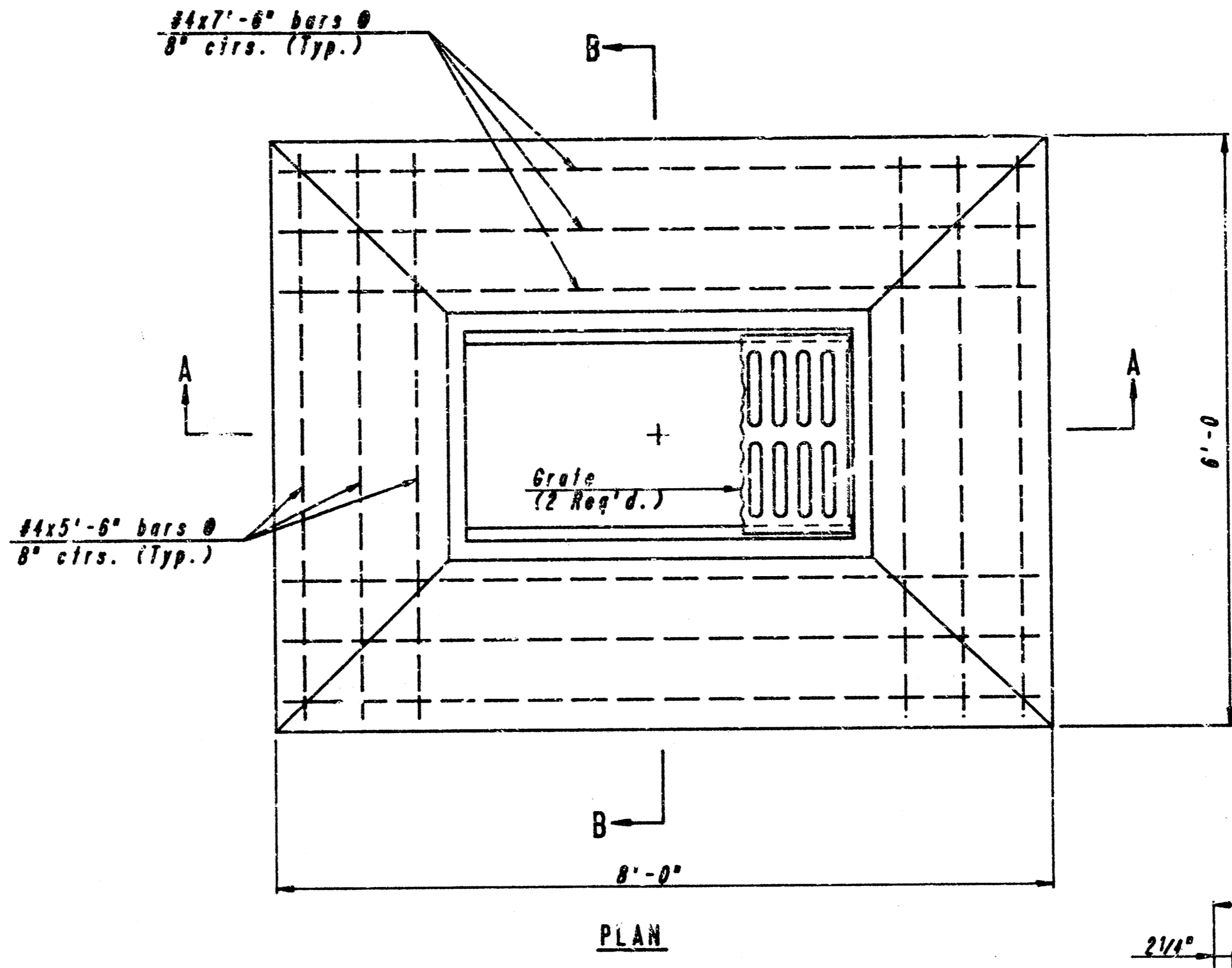
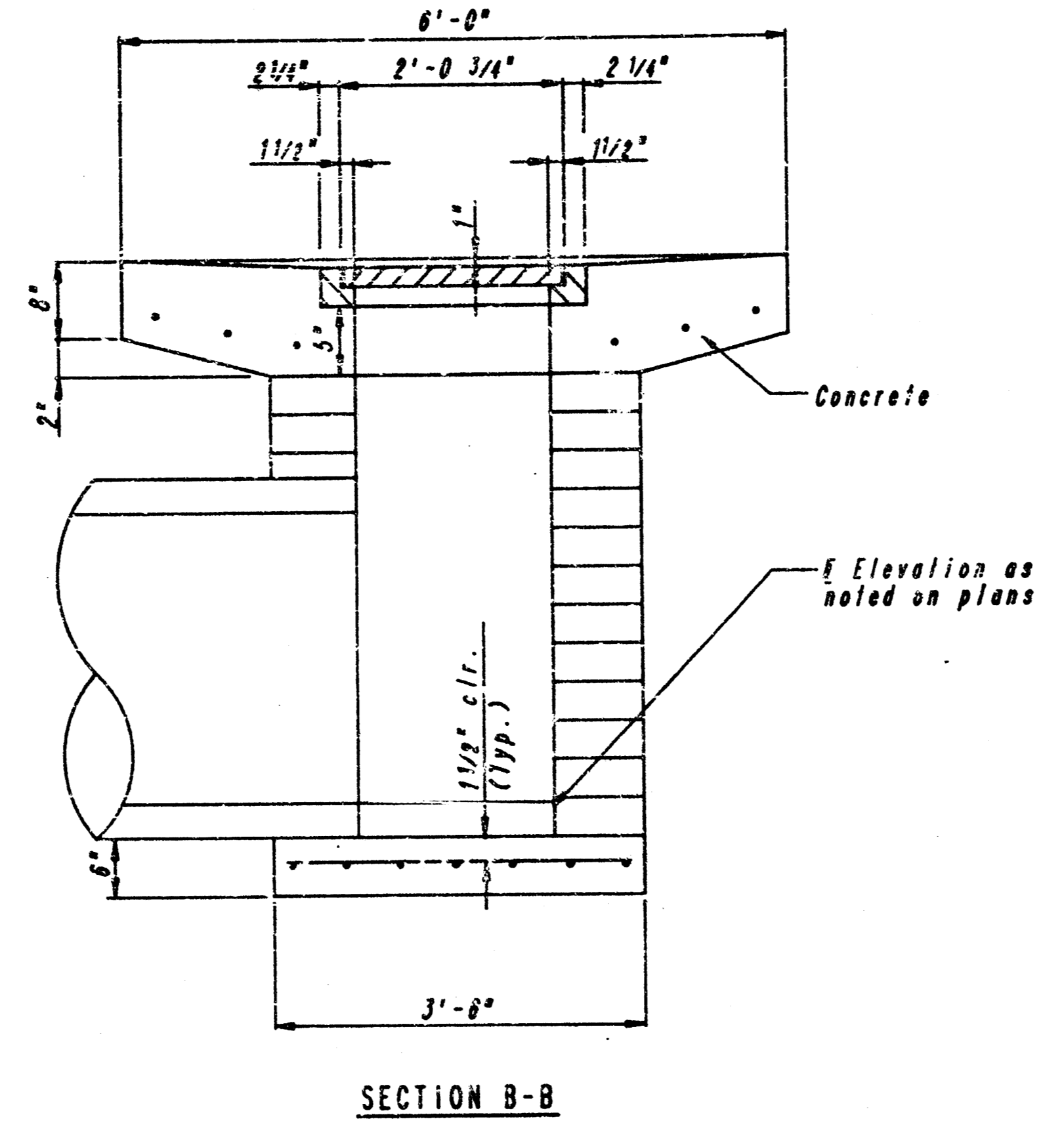
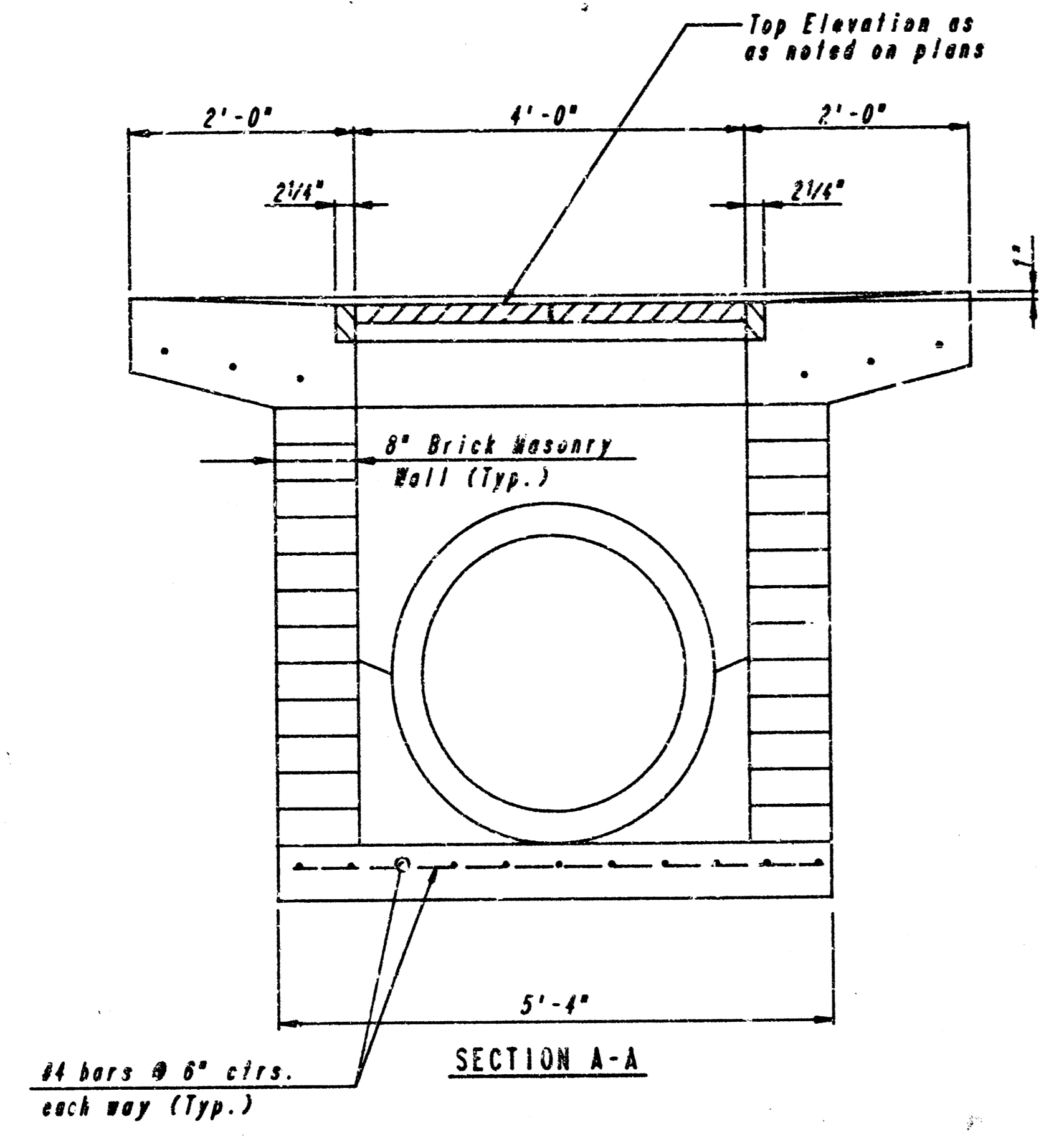
STONE WATER SEWER NO. 314
S.W.S. IMPROVEMENT LINE NO. 1
 STA. 4+64.3 TO STA. 7+21.0
 C.O.M. PROJECT NO. 488-76-245-22005-000-000-001

PROFESSIONAL ENGINEERING CONSULTANTS, P.A.
 ENGINEER
 WENDY A. KINGAS
 Job No. 32-89454-3
 Designed By CSB, GDD
 Drawn By DEP
 Date JAN., 1990

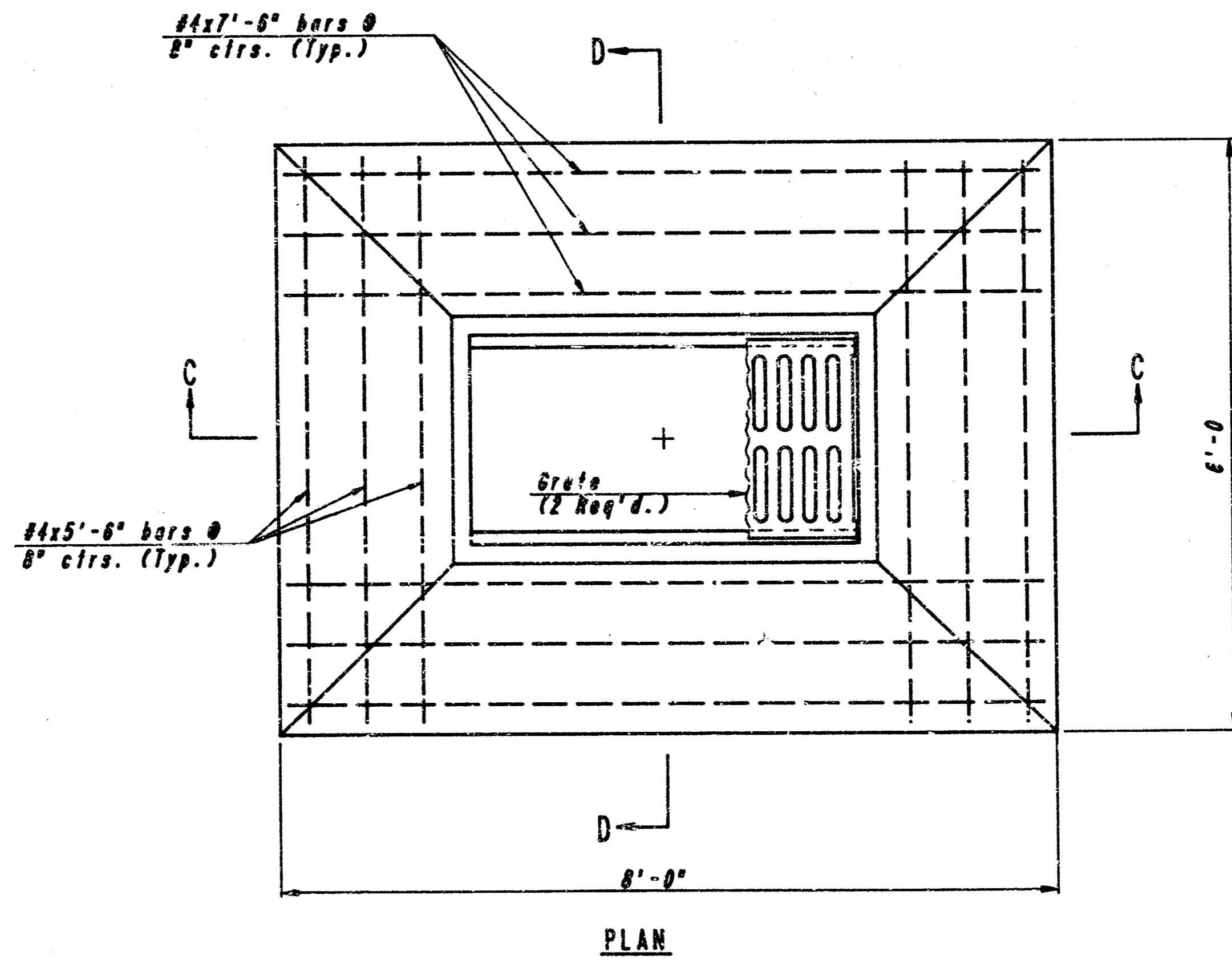
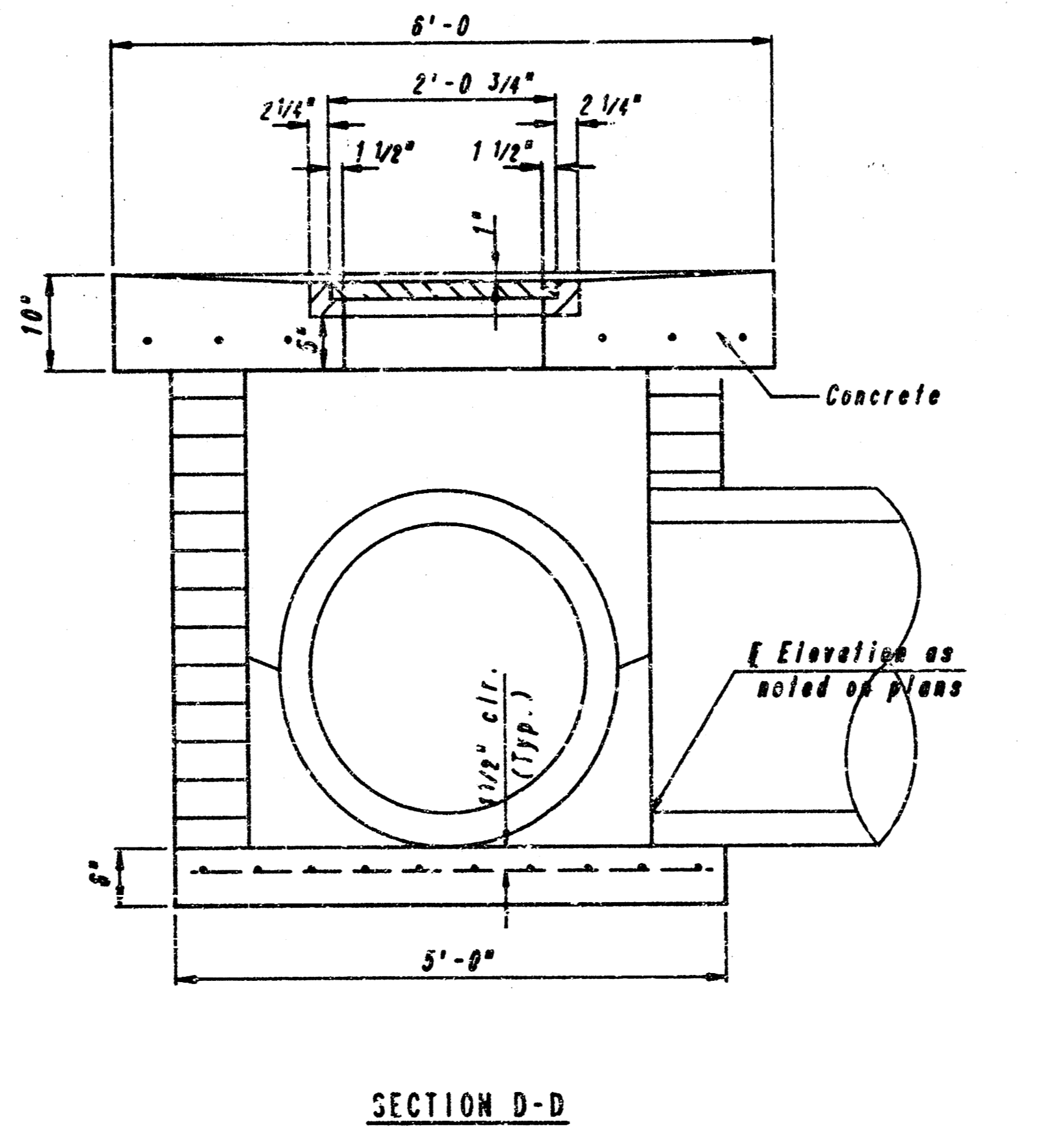
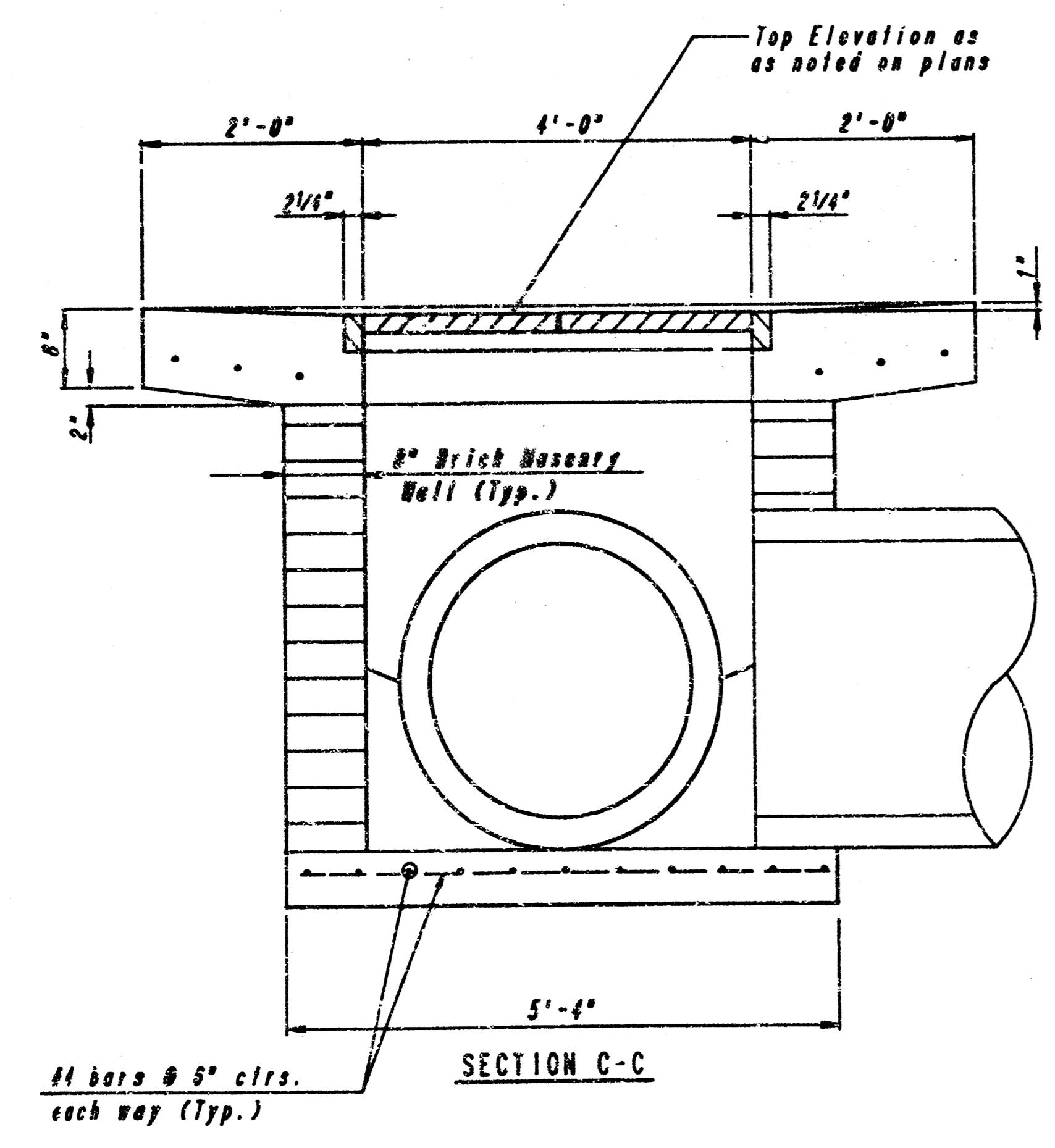
Sheet 5 of 6

FILMED FROM THE BEST AVAILABLE COPY

PROJECT NO.	SHEET NO.	TOTAL SHEETS
68-76-245-82009-000-003-001	6	6



STANDARD AREA INLET



SPECIAL AREA INLET

GENERAL NOTES

CONCRETE SHALL BE C.O.D. STANDARD PAVING MIX. ALL EXPOSED EDGES SHALL BE FINISHED WITH AN APPROVED EDGING TOOL.

REINFORCING STEEL SHALL BE A MINIMUM GRADE 40, A.S.T.M. A615. ALL DIMENSIONS RELATIVE TO PLACEMENT OF REINFORCING ARE TO THE CENTERLINE OF BARS UNLESS OTHERWISE NOTED.

INLET CASTINGS SHALL BE MANUFACTURED USING GOOD QUALITY GRAY IRON CONFORMING TO CLASS 30 OF A.S.T.M. DESIGNATION 14-8. DIMENSIONS AND HEIGHTS SHOWN ON THE DETAILED DRAWINGS SHALL BE CONSIDERED AS MINIMUM REQUIREMENTS AND ANY DEVIATIONS FROM THE DIMENSIONS SHOWN MUST BE SPECIFICALLY APPROVED. THE FINISHED CASTINGS SHALL BE OF UNIFORM QUALITY, FREE FROM DISCOLORATION, POROSITY, HARD SPOTS, SHRINKAGE DISTORTIONS OR OTHER EFFECTS.

CONSTRUCTION REQUIREMENTS AND MATERIALS FOR MASONRY WALLS SHALL CONFORM TO THE REQUIREMENTS OF THE STANDARD SPECIFICATIONS.

INLET FLOOR SHALL BE SHAPED WITH UNREINFORCED CONCRETE (OR SACK SAND MIX) TO CREATE FLOW CHANNELS AND TO INCREASE HYDRAULIC EFFICIENCY SUCH THAT THE INLET WILL BE SELF-CLEANING BETWEEN ALL INLET AND/OR OUTLET PIPES.

AREA INLETS (STANDARD AND SPECIAL) SHALL BE MEASURED AND PAID FOR AT THE CONTRACT UNIT PRICE BIC PER EACH. THIS SHALL BE CONSIDERED FULL COMPENSATION FOR ALL EXCAVATION, BACKFILLING, MATERIALS, LABOR, CONNECTION TO EXISTING STRUCTURES (IF REQUIRED), EQUIPMENT, TOOLS, AND INCIDENTALS NECESSARY TO COMPLETE THE WORK.

PIPES ENTERING OR EXITING STRUCTURE SHALL BE CENTERED ON INSIDE FACE OF WALL.

STORM WATER SEWER NO. 394

STANDARD AND SPECIAL AREA INLET DETAILS

ENGINEERS

PROFESSIONAL ENGINEERING CONSULTANTS, P.A.

WICHITA, KANSAS

Designed by	CSB, GDD	Checked by	
Drawn by	DEP	Date	JAN., 1990 Job No. 82209

FILMED FROM THE BEST AVAILABLE COPY