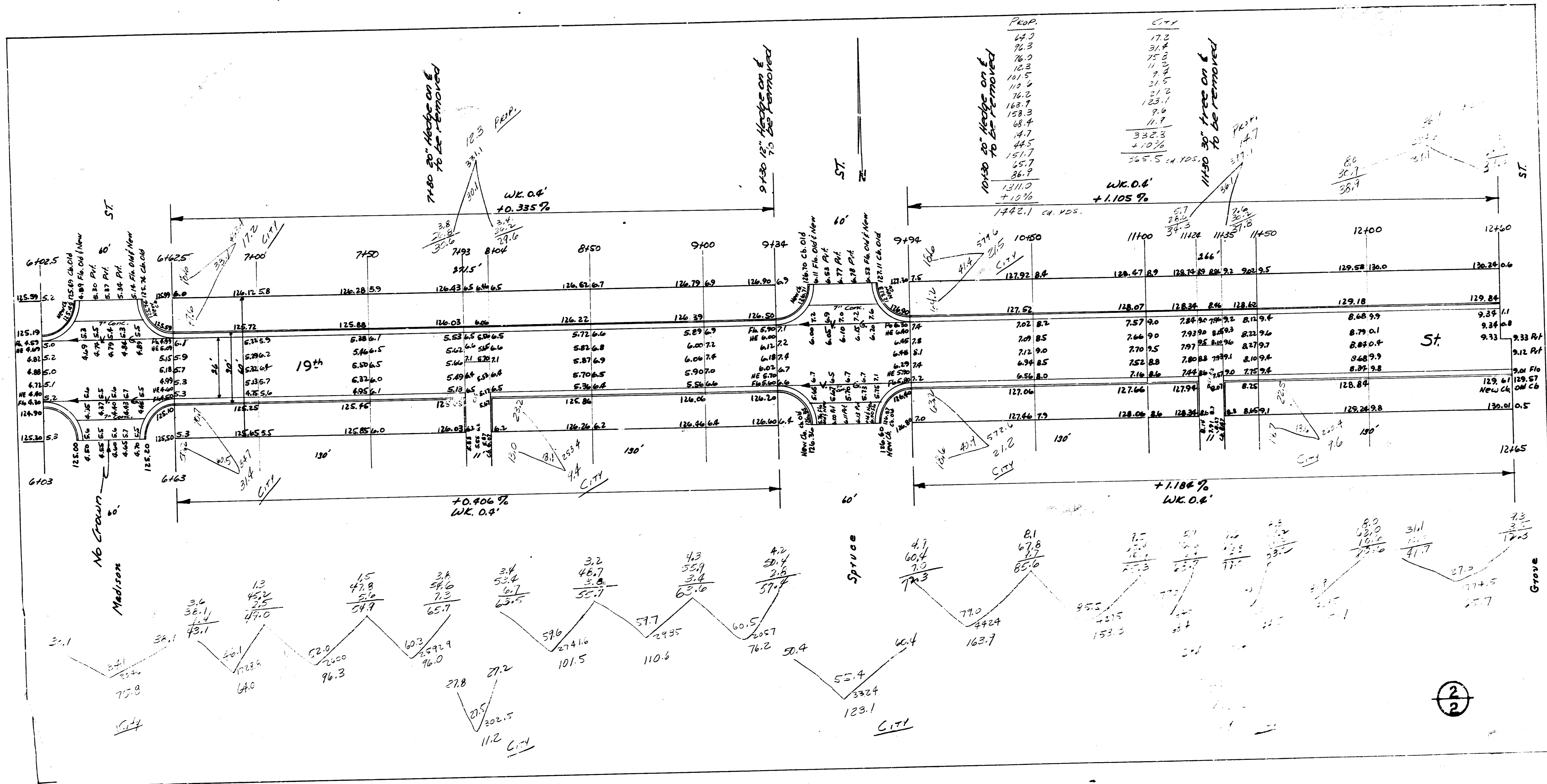
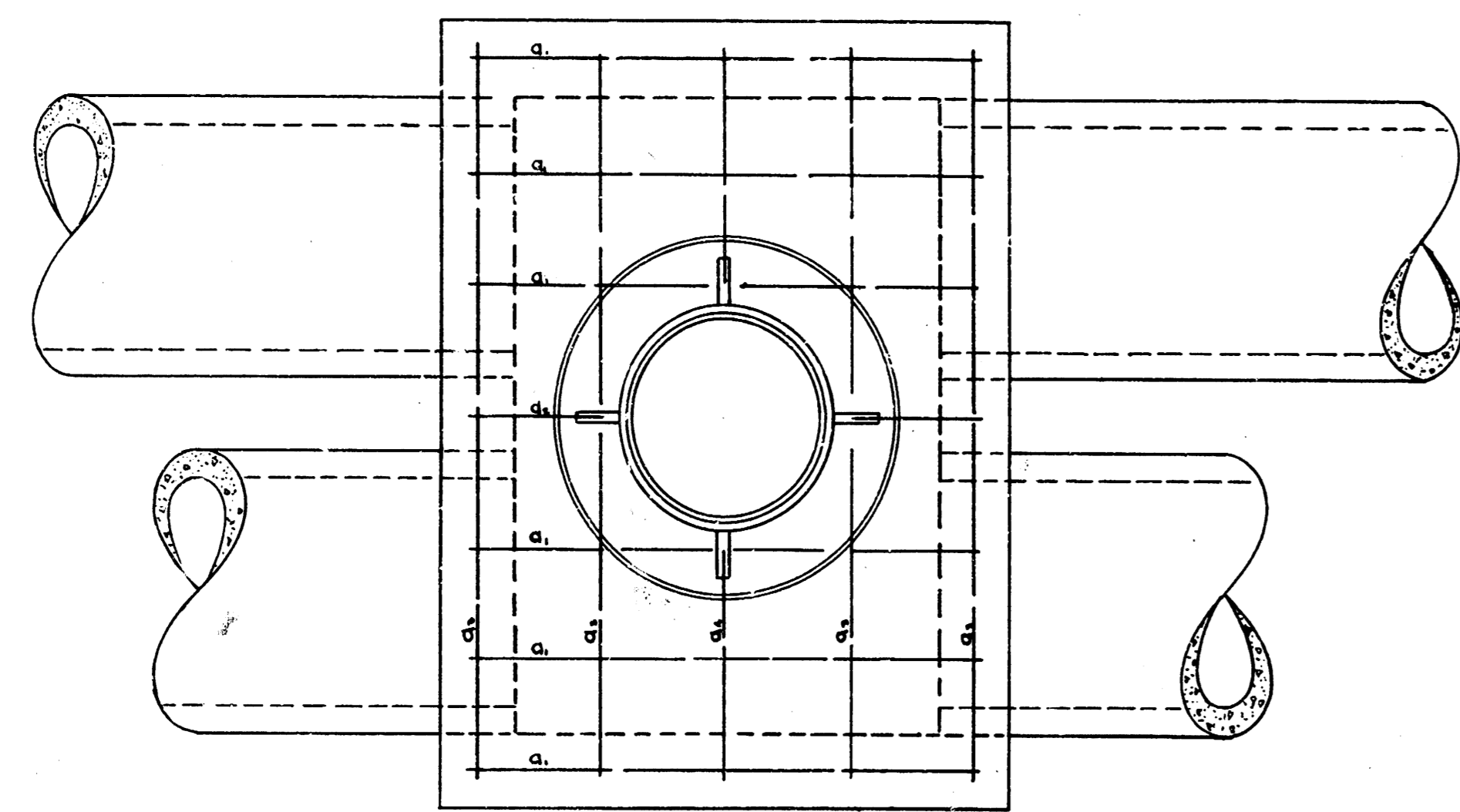
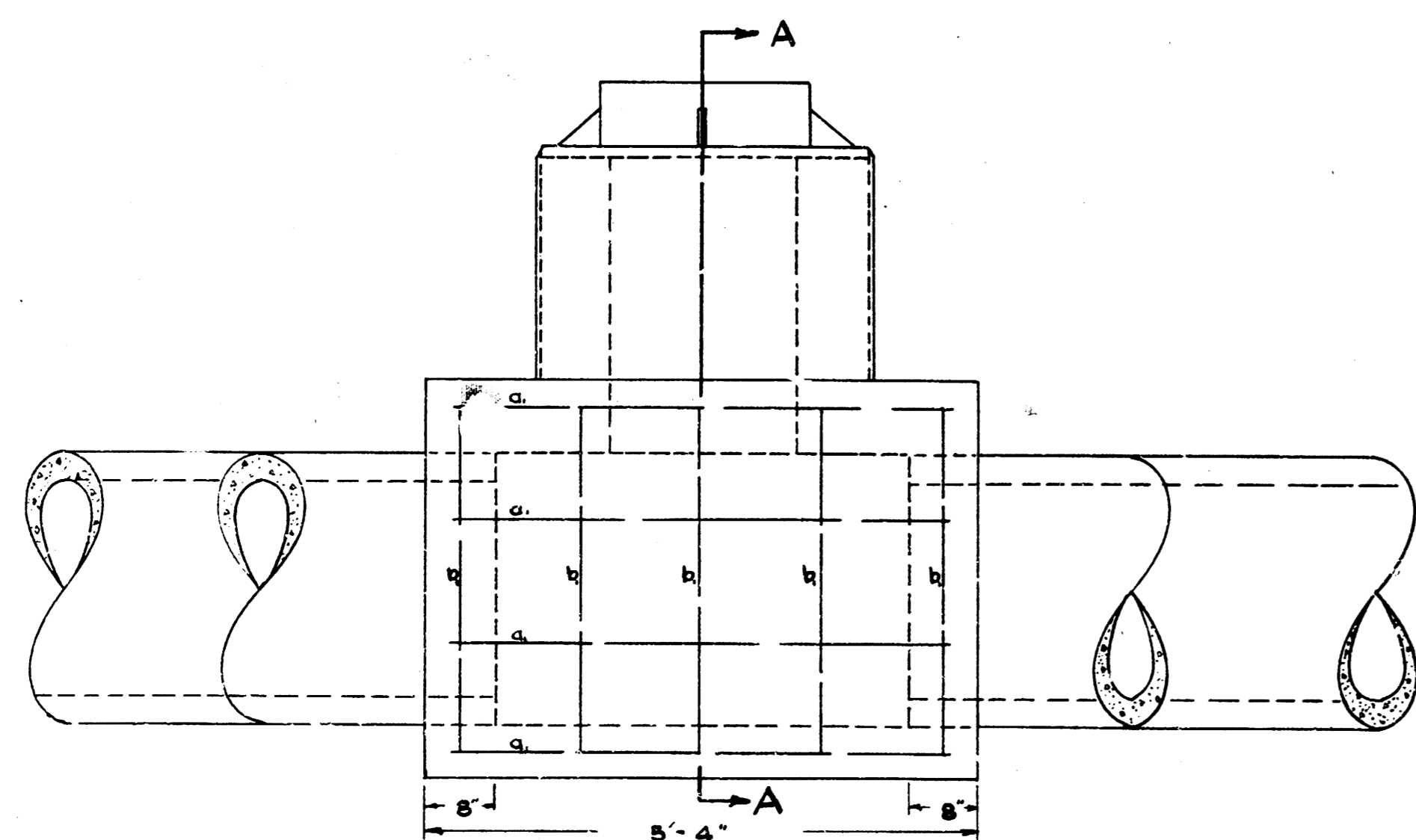


19th ST
 E.L. Pratt — W.L. Grove
 24'-2'-30' AC
 City of Wichita, Kansas
 L.K. White City Engineer
 September 1988 Project CR-199





TOP VIEW

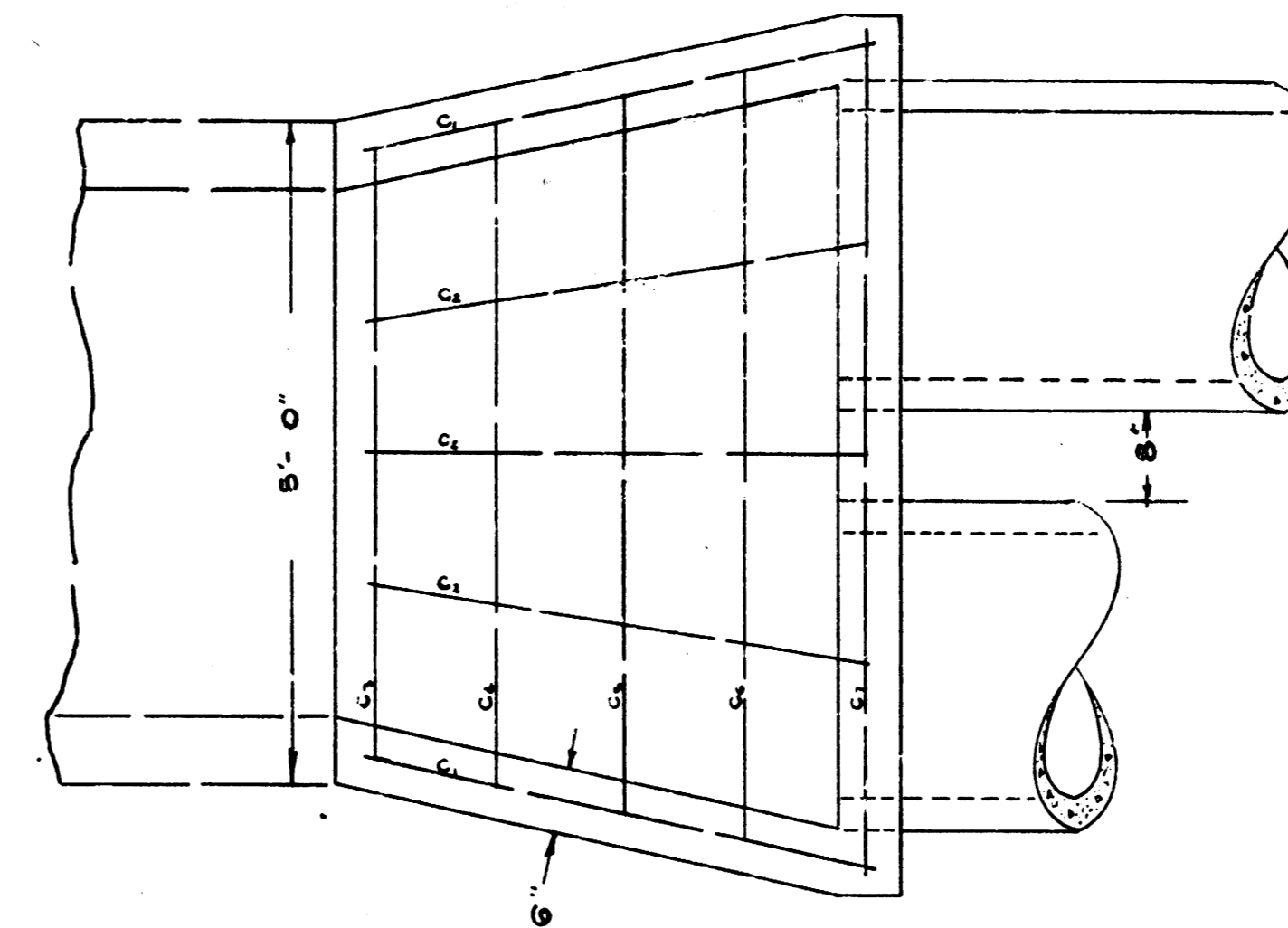


SIDE VIEW

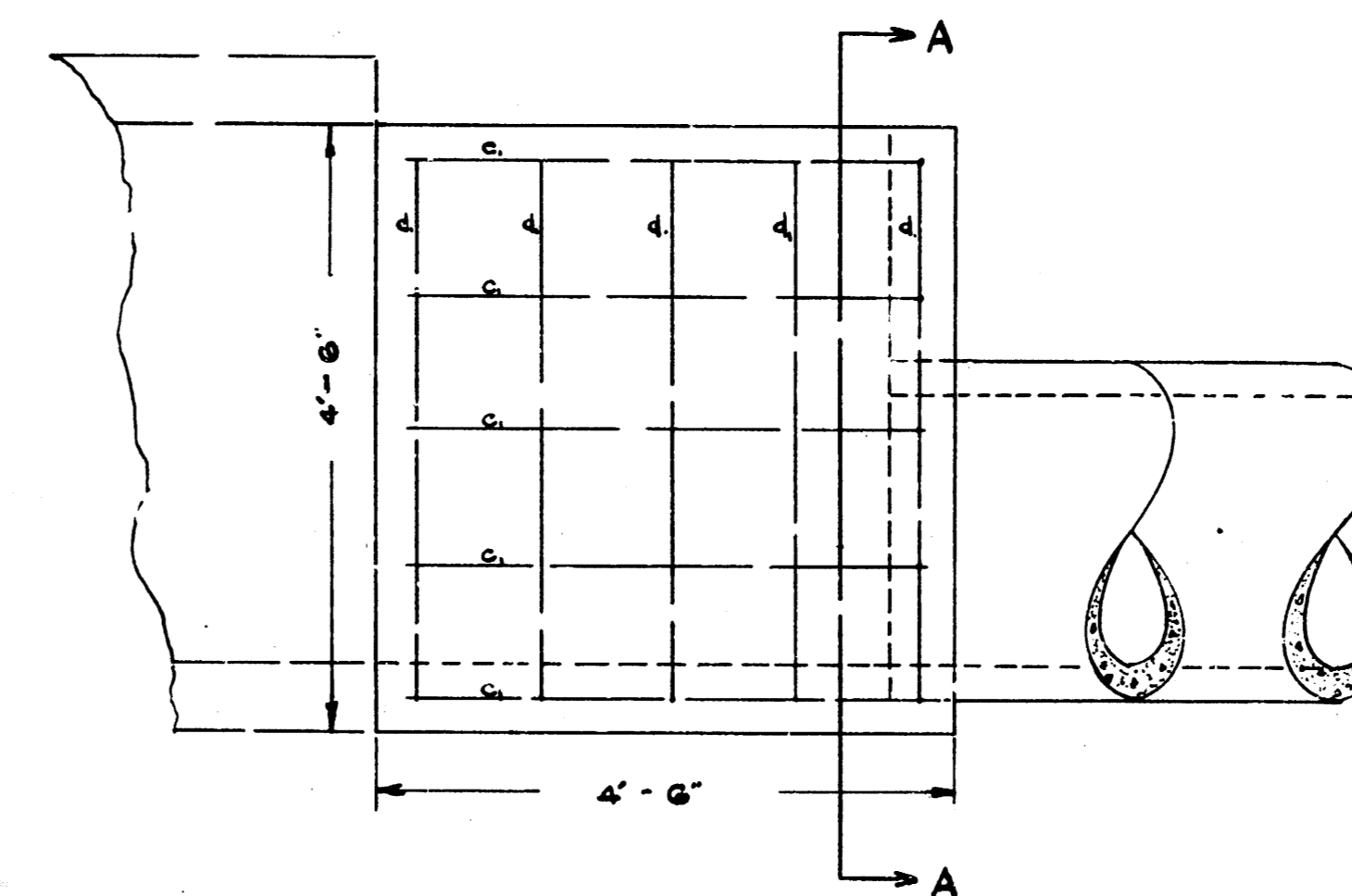
TYPE "B" MANHOLE
SCALE 3/4" = 1'

TYPE "B" MANHOLE			
MATERIAL LIST			
BAR	NO.	LENGTH	REMARKS
a	17	4'-10"	1/2 φ
a ₁	2	1'-3"	1
a ₂	9	6'-8"	1
a ₃	2	2'-0"	1
b ₁	10	3'-2"	1/2 φ

CONCRETE REINFORCING STEEL 2.5 CU YDS
126 LBS.



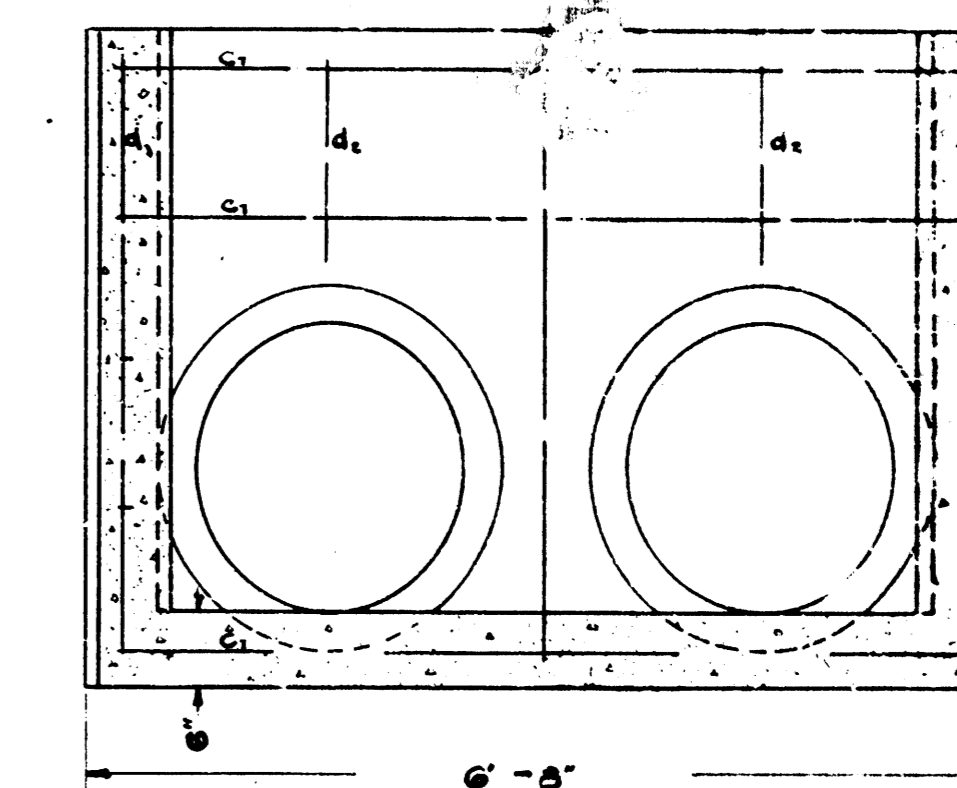
TOP VIEW



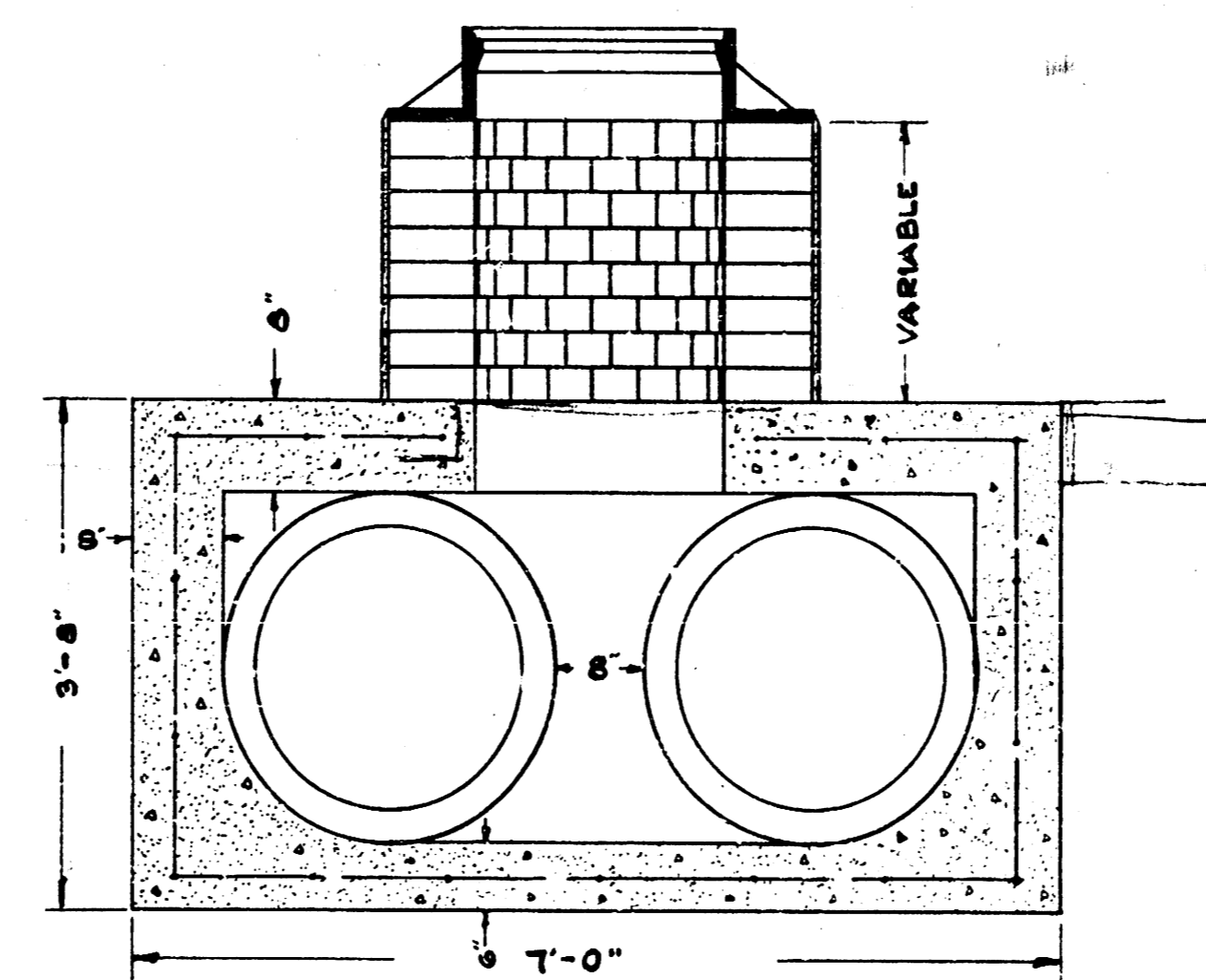
SIDE VIEW

JUNCTION BOX			
MATERIAL LIST			
BAR	NO.	LENGTH	REMARKS
c	10	4'-2"	1/2 φ
c ₁	3	4'-0"	1
c ₂	1	4'-8"	1
c ₃	1	5'-1"	1
c ₄	1	5'-6"	1
c ₅	1	5'-1"	1
c ₆	3	6'-3"	1
d	11	4'-0"	1/2 φ
d ₁	2	1'-4"	1/2 φ

CONCRETE REINFORCING STEEL 1.5 CU YDS
94 LBS.



SECTION A-A



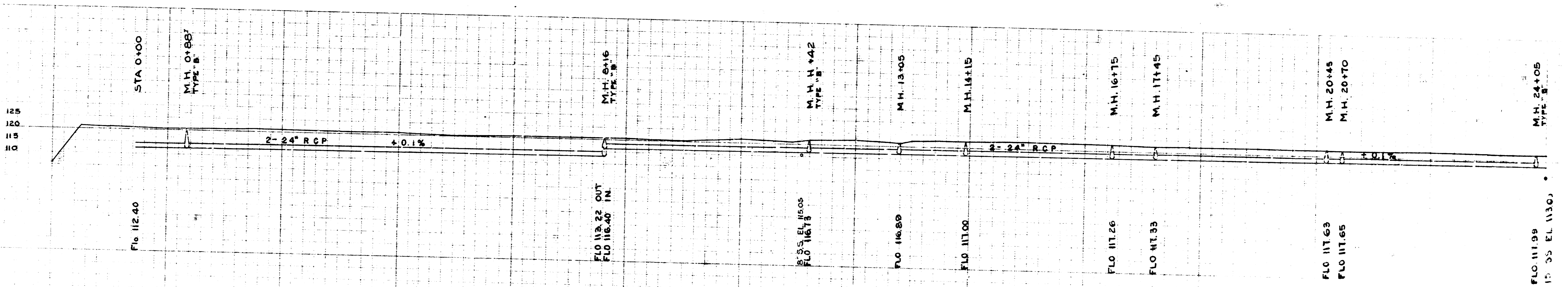
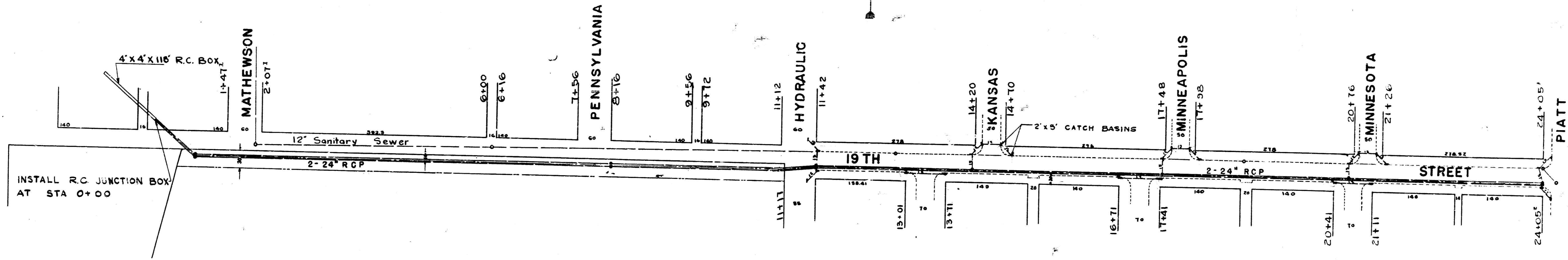
SECTION A-A

JUNCTION BOX
STA 0+00
SCALE 3/4" = 1'

INCIDENTAL DRAINAGE
19TH ST. & PIATT AVE.
CITY OF WICHITA
L.K. WHITE - CITY ENGINEER

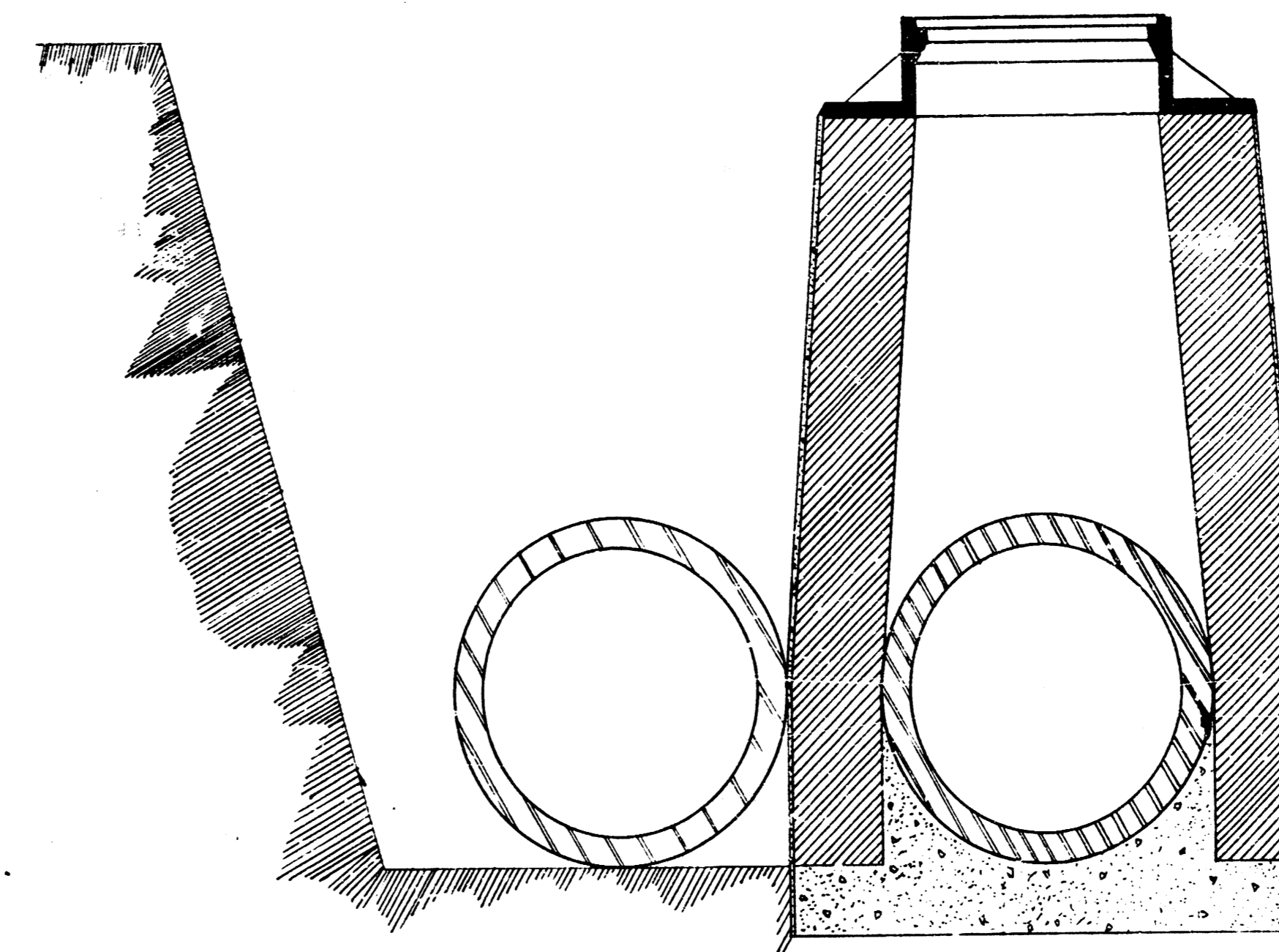
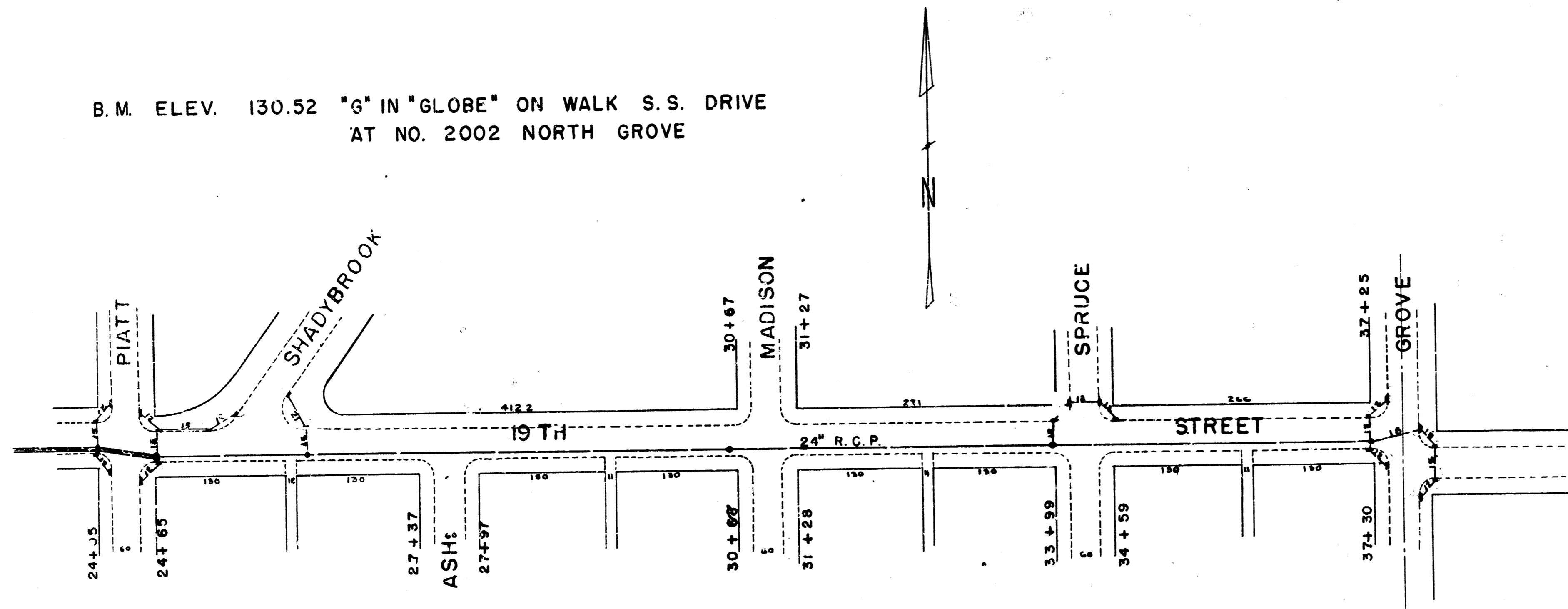
B.M. ELEV. 121.40 R.R. SPIKE IN LARGE ELM @ 19TH & 150' WEST OF HYDRAULIC
 B.M. ELEV. 120.08 IRON THIMBLE @ HYDRAULIC @ 19TH EAST

B.M. ELEV. 123.14 W. RIM S.S. M.H. S. 1/4 19TH & E 1/4 PIATT

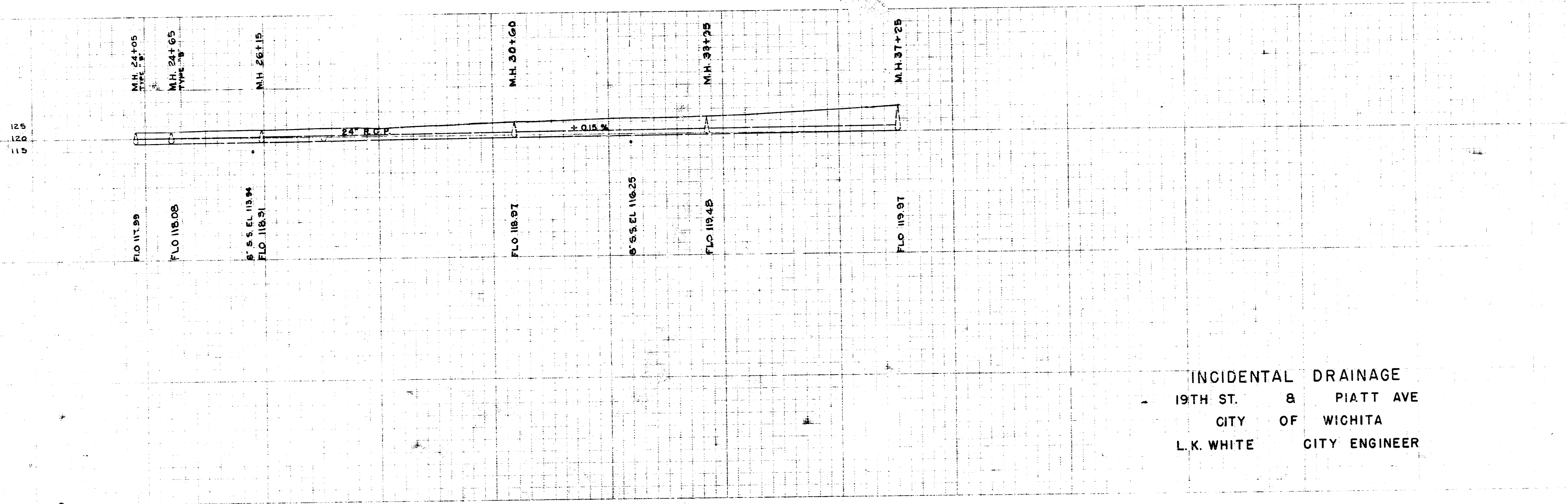


INCIDENTAL DRAINAGE
 19TH ST. & PIATT AVE.
 CITY OF WICHITA
 L.K. WHITE CITY ENGINEER

B.M. ELEV. 130.52 "G" IN "GLOBE" ON WALK S.S. DRIVE
AT NO. 2002 NORTH GROVE



SECTION SHOWING MANHOLE INSTALLATION
FOR DOUBLE 24" STORM SEWER



INCIDENTAL DRAINAGE
19TH ST. & PIATT AVE
CITY OF WICHITA
L.K. WHITE CITY ENGINEER

4 12 5 5