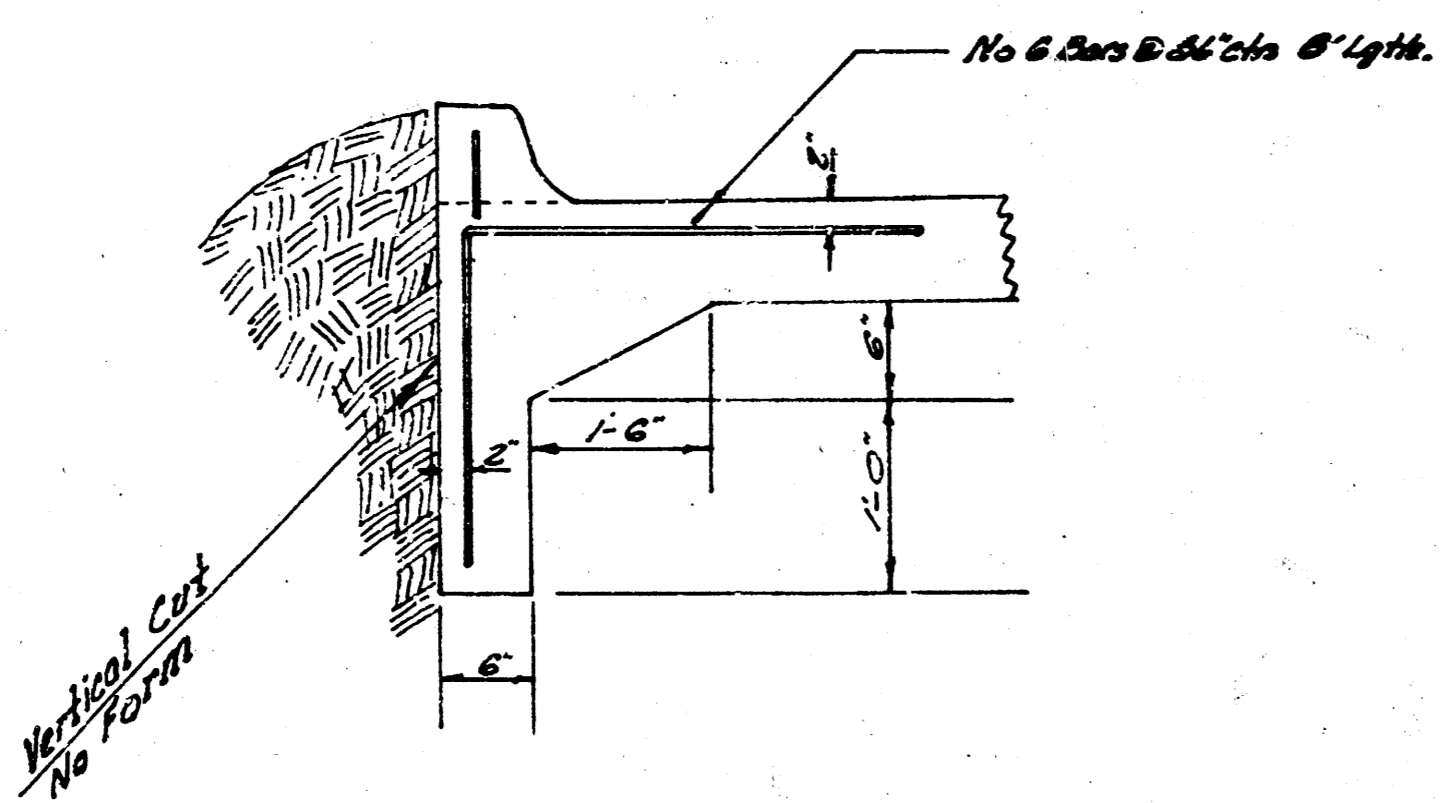


S.E. SMITH  
 CIVIL ENGINEER  
 No. 260  
 Plan  
 Exc.  
 Checked

E.M. 14.65 Sid. S.E. Cor. Grove & 25th.



TOE WALL DETAIL  
NO SCALE

**NOTE TO FIELD ENGR. & CONTR.**  
 Field Engr. shall establish Wall  
 Grade as shown so that Curbs may  
 grade parking for prop. walk.  
 Compact backfill in sidewalk.  
 Sidewalk to be constructed by Others

