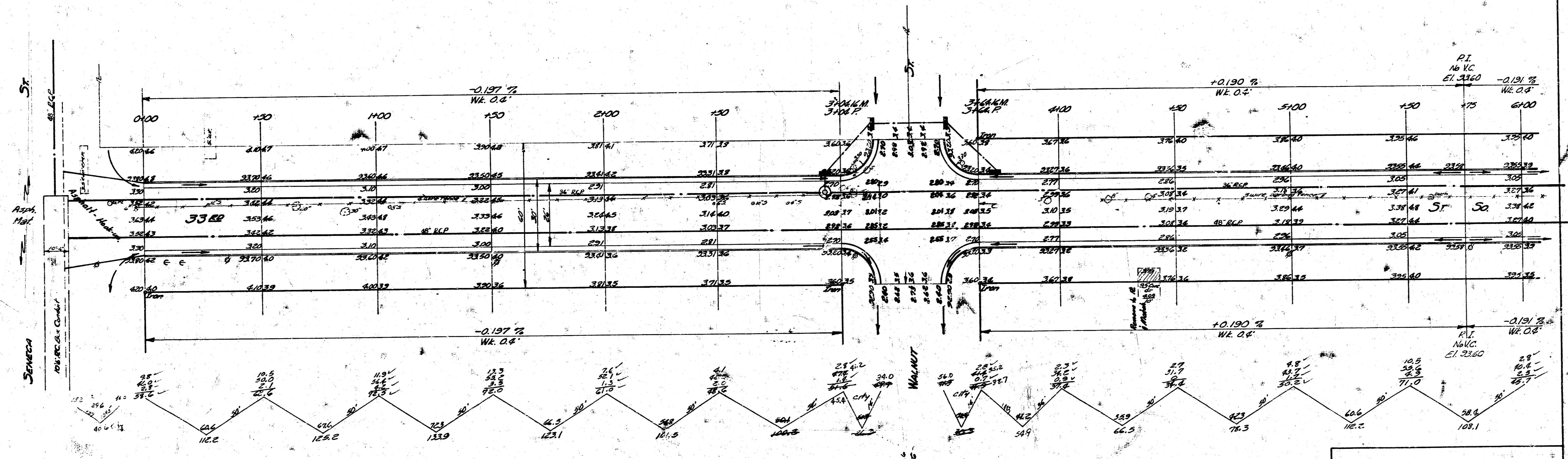
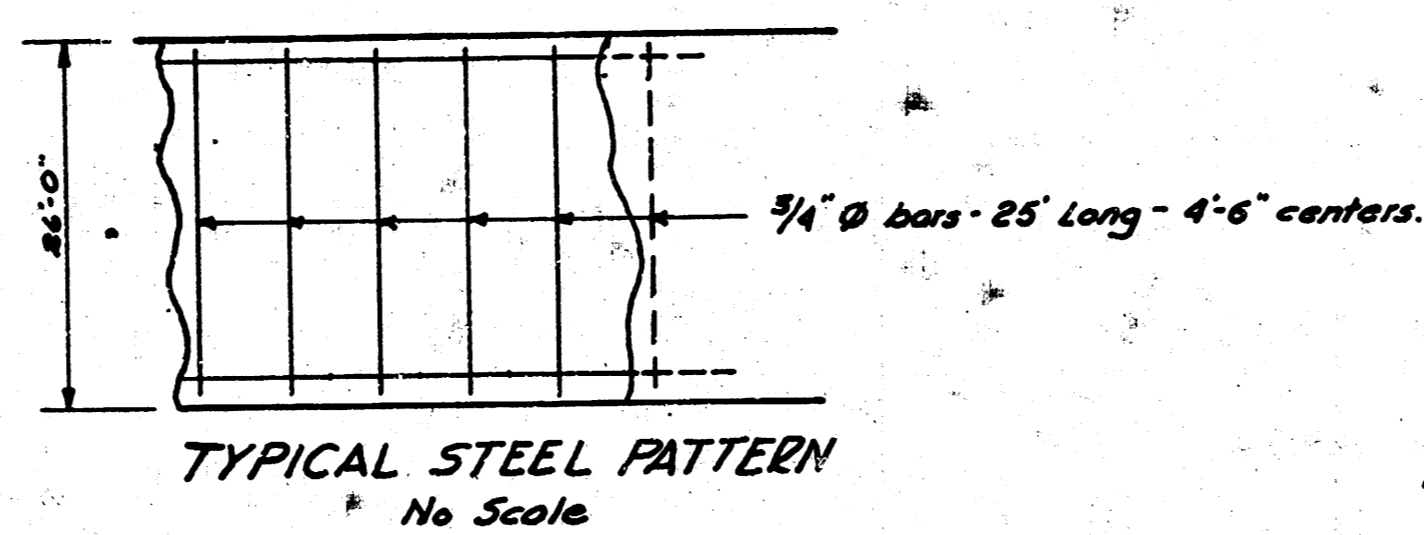


B.M. 94.78 1/4" dia. Spike in E. face PP. 12' N. & 75' W. of Iron on S.E. cor. Seneca # 3383.
 B.M. 95.29 S.E. cor. conc. porch House # 3401, S.W. cor. 33' 0" & Walnut.
 B.M. 95.75 S.W. cor. conc. porch House # 3356, N.E. cor. 5' 0" & Walnut.
 B.M. 95.95 N.W. cor. conc. porch House # 3356, Handley.
 B.M. 94.97 S.W. cor. conc. porch House # 3616 Osage.
 Starting on S. R.



-Excavation Totals-

Property	City
2885.3	138.0
+10% 226.5	+10% 43.8
3111.8	181.8 cu yds

3380 ST. 50
 E.L. SENECA TO EL. BRIGHTWOOD ADDN
 26-2-30 AC.
 CITY OF WICHITA KANSAS
 B.E. SMITH CITY ENGINEER
 Oct. 1956 Proj. No. C14-114

