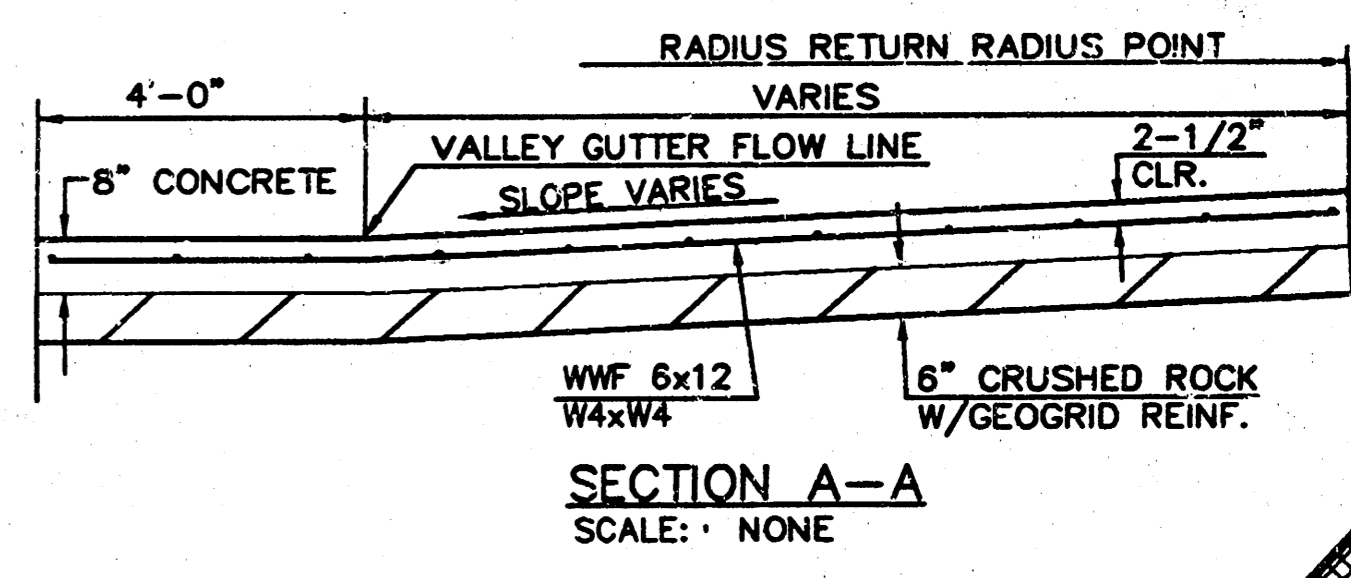
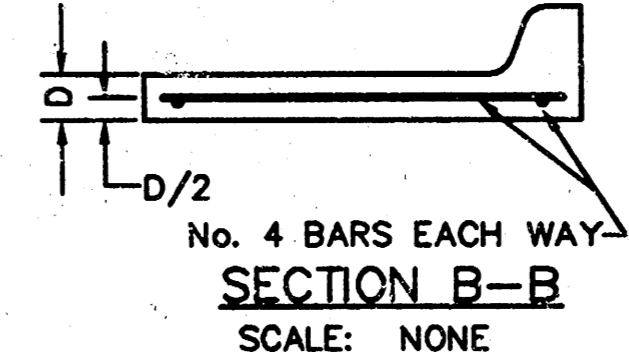
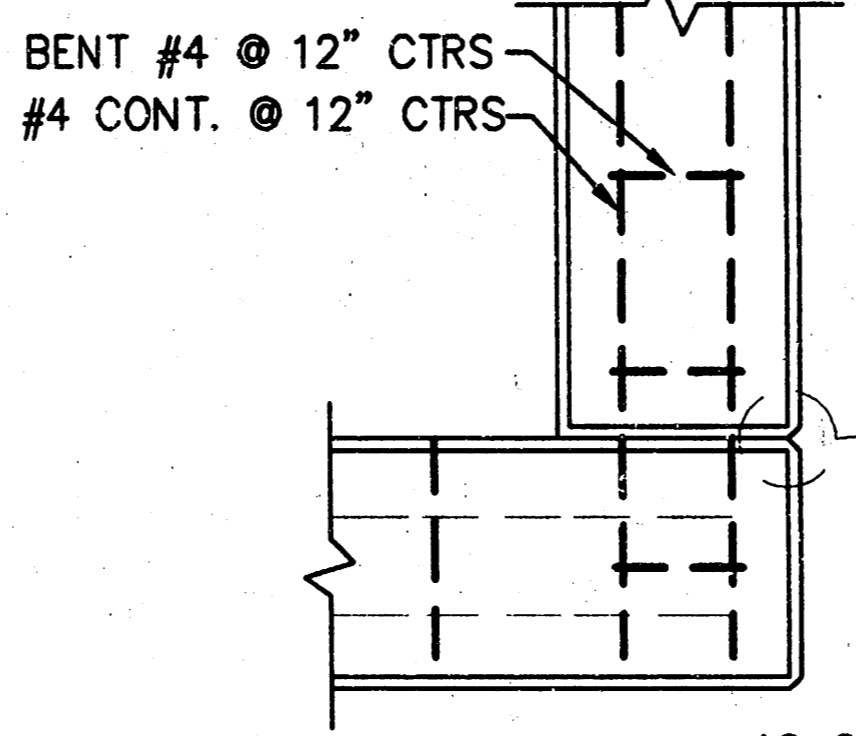
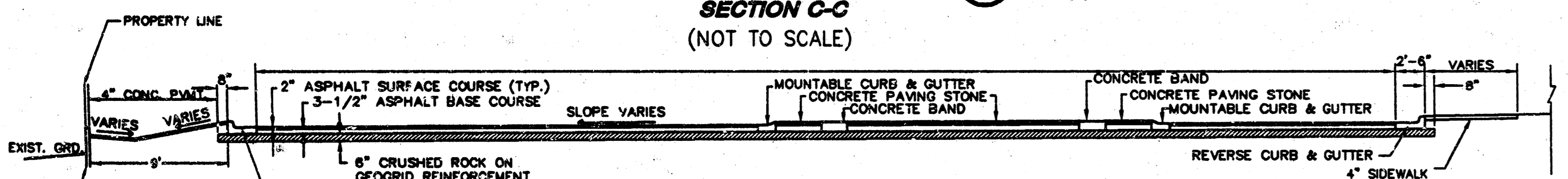


MID-KANSAS ENGINEERING CONSULTANTS, INC.
411 N. WEBB ROAD
WICHITA, KS. 67208
316-684-9600

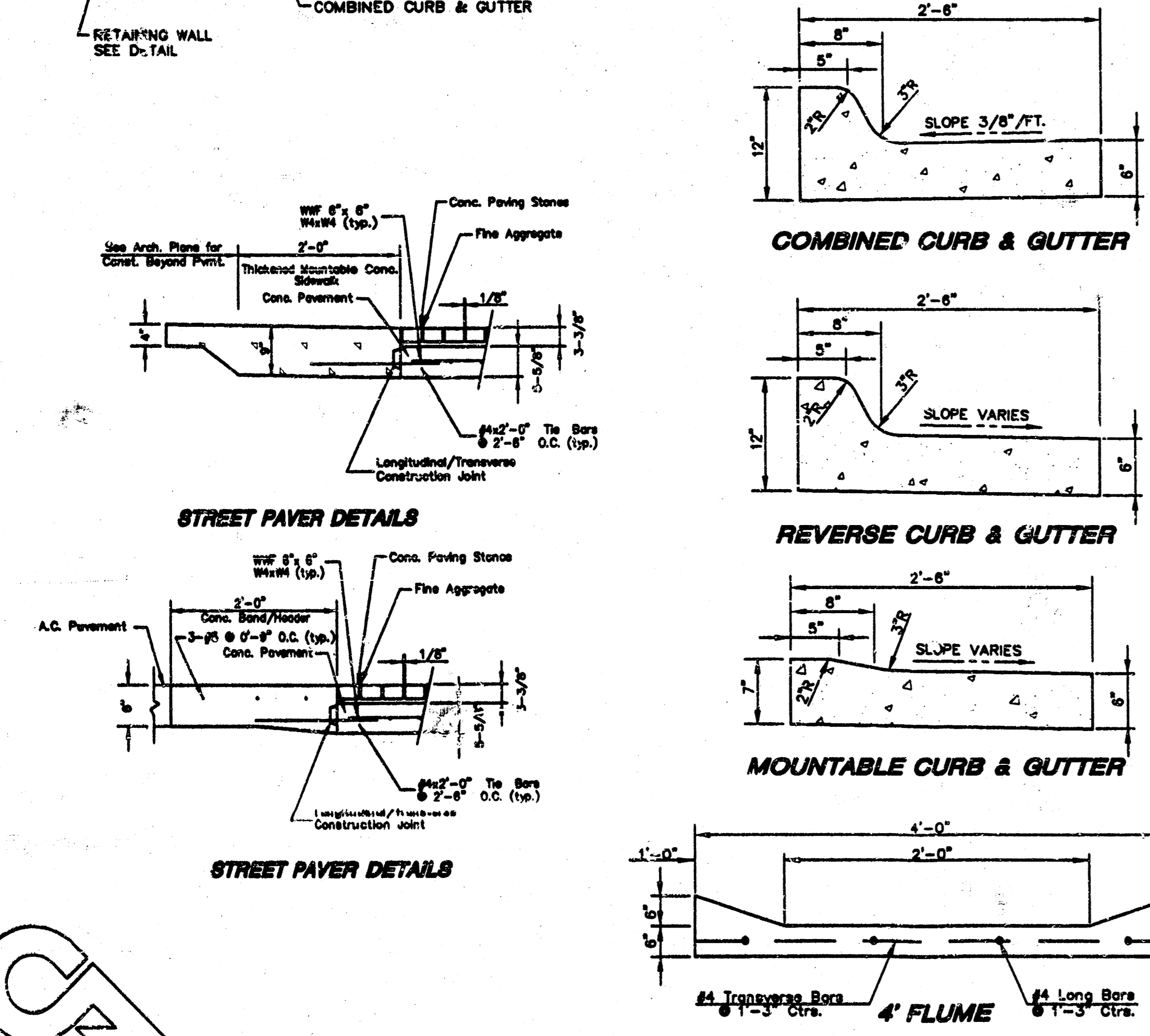


CENTER FOR HEALTH AND WELLNESS (CHW)

(A) SITE GRADING/PAVING PLAN
SCALE: 1"=20'



NOTE: ALL CONCRETE VALLEY GUTTER REINFORCEMENT SHALL BE ADEQUATELY SUPPORTED BY BAR CHAIRS IN THE REQUIRED POSITION UNLESS APPROVED OTHERWISE BY THE ENGINEER.



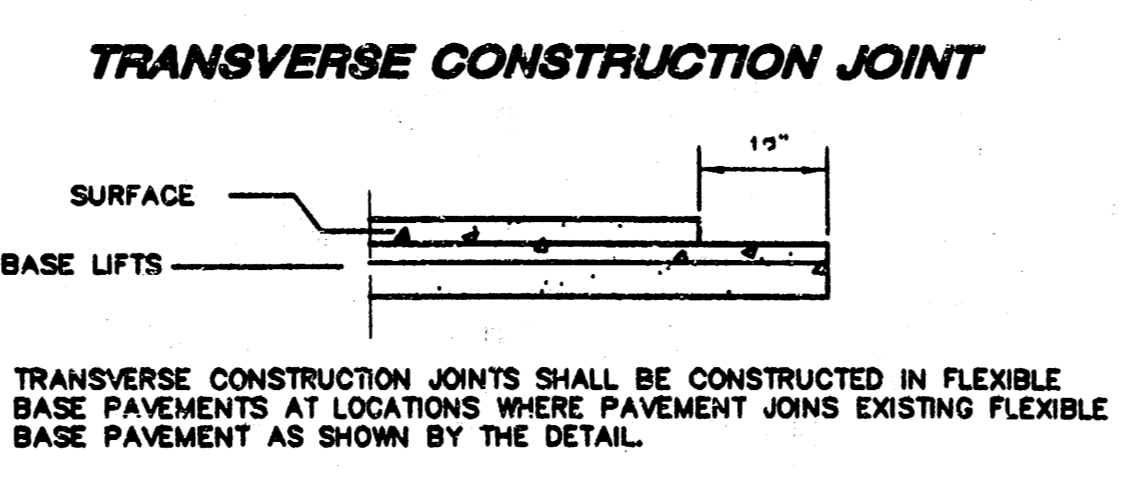
REINFORCED CRUSHED ROCK SPECIFICATIONS

FABRIC BASE REINFORCEMENT SHALL BE 8 X 1100 AS MANUFACTURED BY TENSAR CORPORATION OR APPROVED EQUAL FABRIC BASE REINFORCEMENT SHALL BE INSTALLED IN ACCORDANCE WITH MANUFACTURER'S RECOMMENDATIONS. CRUSHED ROCK SHALL BE UNIFORMLY GRADED.

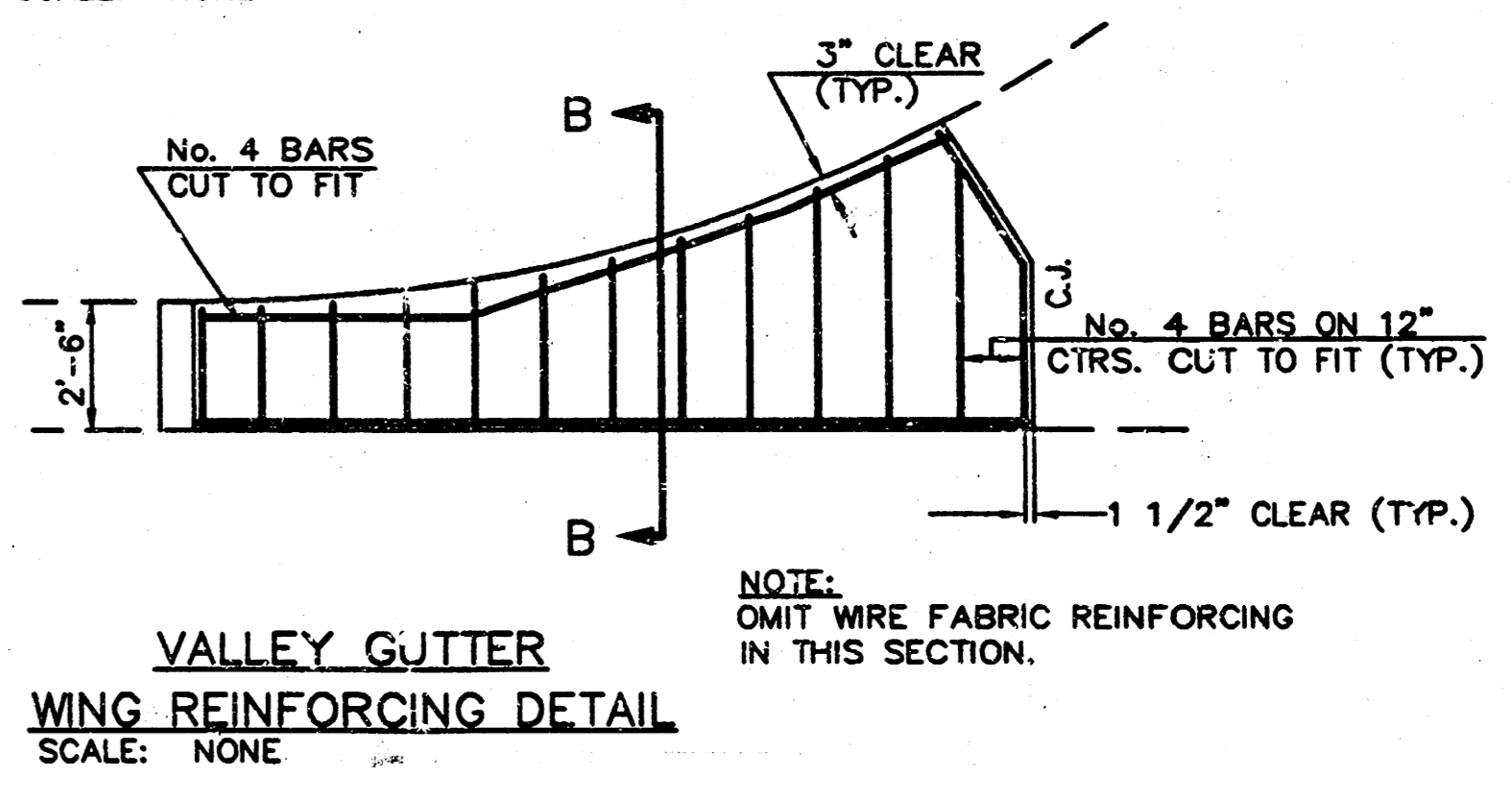
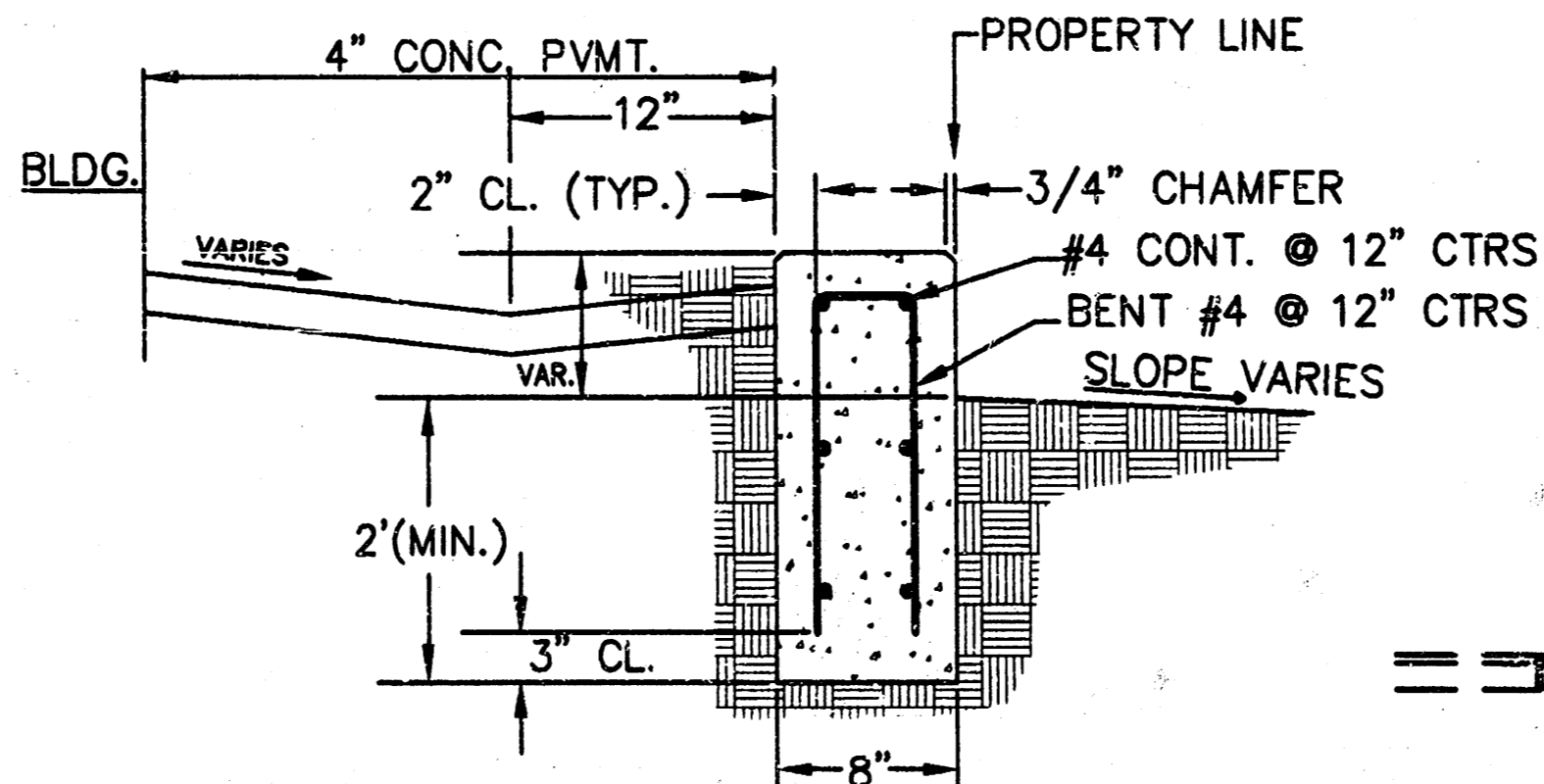
PERCENT OF AGGREGATE RETAINED	
2-1/2"	0 TO 80
3/4"	0 TO 80
4"	80 TO 84
# 200	80 TO 88

ROCK QUALITY SHALL CONFORM TO THE REQUIREMENTS SPECIFIED BY K.D.O.T. 1990 EDITION STANDARD SPECIFICATION SUBSECTION 1102 FOR DURABILITY CLASS 1.

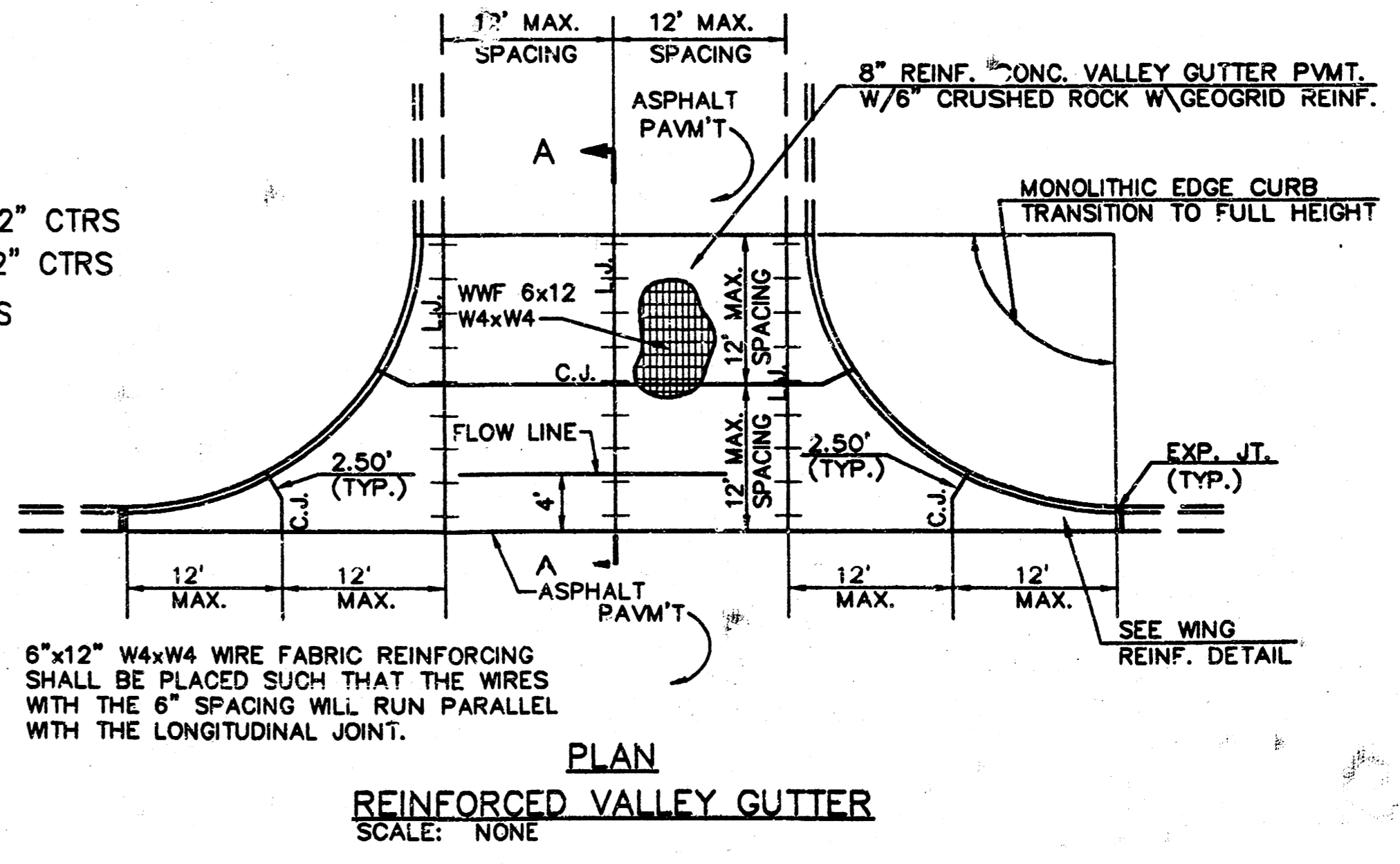
- ASPHALT NOTES**
- A TACK COAT OF EMULSIFIED ASPHALT (SS-1H OR CSS-1H) SHALL BE APPLIED AT AN APPROXIMATE RATE OF 0.03 GALLONS PER SQUARE YARD BETWEEN EACH LIFT OF ASPHALTIC MATERIAL.
 - BITUMINOUS BASE AND ASPHALTIC CONCRETE WEARING SURFACE SHALL BE PLACED WITH A LAYDOWN MACHINE HAVING AUTOMATIC CONTROLS FOR LINE AND GRADE.
 - CONSTRUCTION JOINTS IN EACH LIFT SHALL BE STAGGERED A MINIMUM DISTANCE OF ONE (1) FOOT FROM JOINTS IN PRECEDING LIFTS AND PLACED SO THAT A JOINT WILL BE CONSTRUCTED ON THE CENTERLINE OF THE TOP LIFT.



NOTE: LOCATE CHAMFERED JOINT AS SHOWN AT EITHER END AND AT 30' (MAX.) INTERVALS ALONG WALL



RETAINING WALL SECTION VIEW



COMPTON ASSOCIATES - DEVELOPMENT/DESIGN

CHW CLINIC
21ST STREET NORTH & ERIE
WICHITA, KANSAS

Project: CHW CLINIC
Drawing No: CHW-CLINIC-010
Title: SITE GRADING/PAVING PLAN
Scale: AS SHOWN
Date: 07/13/97
Author: Jeff C.
Checker: Jeff C.
In Charge: Jeff C.

SA 2