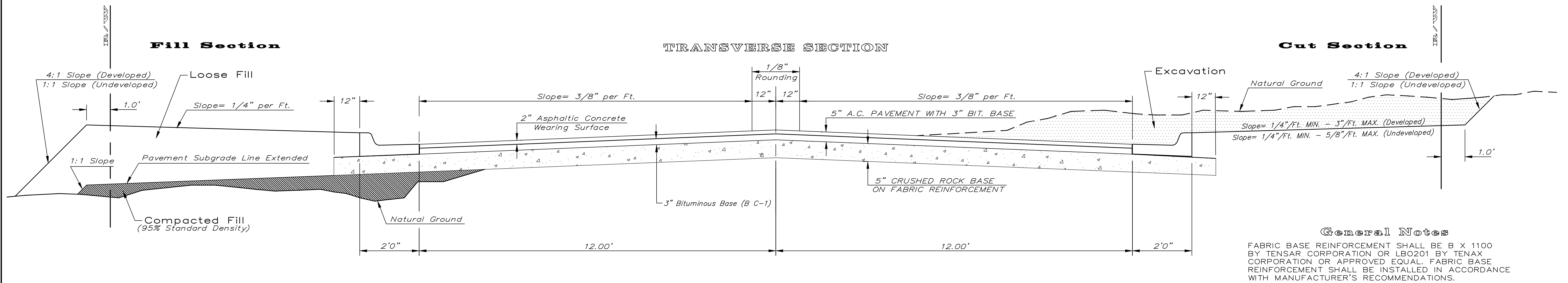


TYPICAL 28' B-B PAVEMENT DETAILS CROWNED SECTION



General Notes

FABRIC BASE REINFORCEMENT SHALL BE B X 1100 BY TENSAR CORPORATION OR LBO201 BY TENAX CORPORATION OR APPROVED EQUAL. FABRIC BASE REINFORCEMENT SHALL BE INSTALLED IN ACCORDANCE WITH MANUFACTURER'S RECOMMENDATIONS.

ROCK BASE IS TO BE COMPACTED AND SMOOTHED WITH A STEEL FACED ROLLER PRIOR TO PLACEMENT OF ASPHALT. TACK COAT WILL NOT BE APPLIED TO ROCK BASE.

A TACK COAT OF EMULSIFIED ASPHALT (SC-1H OR CSS-1H) SHALL BE APPLIED AT AN APPROXIMATE RATE OF 0.05 GALLONS PER SQUARE YARD BETWEEN EACH LIFT OF ASPHALTIC MATERIAL.

BITUMINOUS BASE AND ASPHALTIC CONCRETE WEARING SURFACE SHALL BE PLACED WITH A LAYDOWN MACHINE HAVING AUTOMATIC CONTROLS FOR LINE AND GRADE.

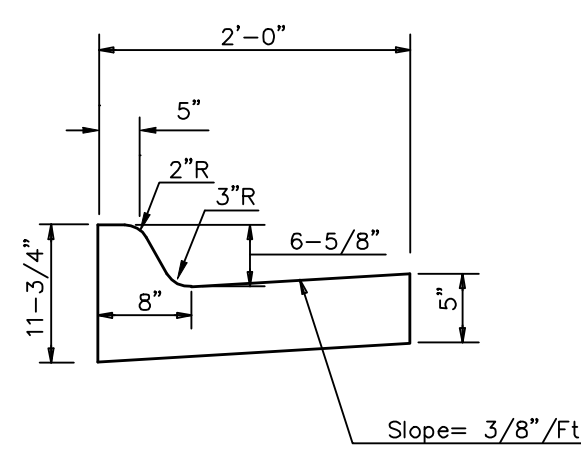
CONSTRUCTION JOINTS IN EACH LIFT SHALL BE STAGGERED A MINIMUM DISTANCE OF ONE (1) FOOT FROM JOINTS IN PRECEDING LIFTS AND PLACED SO THAT A JOINT WILL BE CONSTRUCTED ON THE CENTERLINE OF THE TOP LIFT.

THE ASPHALTIC CONCRETE PAVEMENT BETWEEN THE COMBINED CURB AND GUTTER SHALL BE PAID AS SQUARE YARDS OF 5" ASPHALTIC CONCRETE (3" BITUMINOUS BASE.)

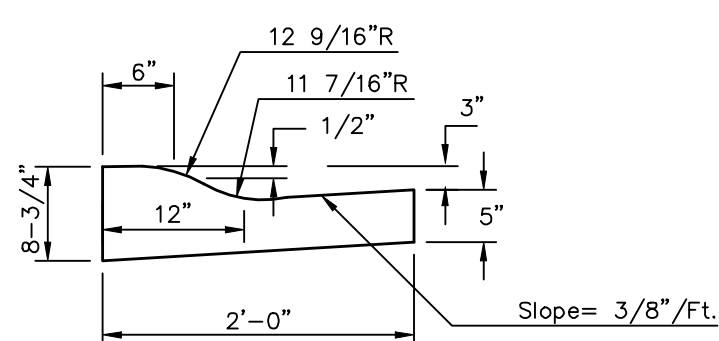
CRUSHED ROCK GRADATION REQUIREMENTS

PERCENT OF AGGREGATE RETAINED	
2-1/2"	0
3/4"	20 - 60
#4	50 - 80
#40	80 - 94
#200	90 - 98

ROCK QUALITY SHALL CONFORM TO THE REQUIREMENTS SPECIFIED BY THE KDOT 1990 EDITION STANDARD SPECIFICATION SUBSECTION 1102 FOR DURABILITY CLASS 1.

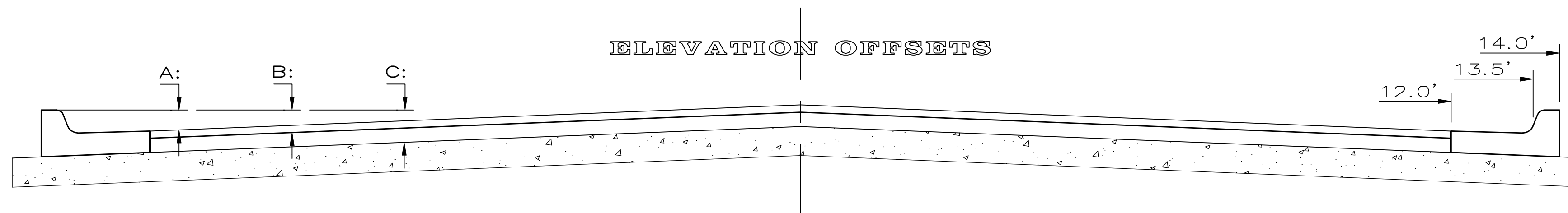


COMBINED CURB & GUTTER



COMBINED ROLL TYPE CURB & GUTTER

ELEVATION OFFSETS



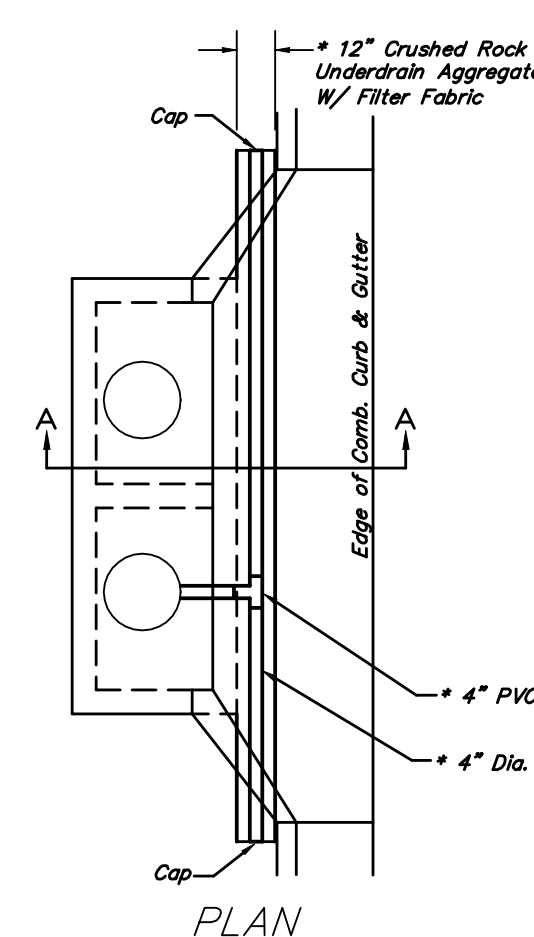
	DISTANCE FROM CENTERLINE (LT. & RT.)										
	0'	2'	4'	6'	7'	8'	10'	12'	13.5'	14'	15'
A: Top of Curbs to Top of Surface Lift	0.15	0.19	0.25	0.32	0.35	0.38	0.44	0.50	-	-	-
B: Top of Curbs to Top of Upper Base Lift	0.32	0.36	0.42	0.48	0.51	0.54	0.61	0.67	-	-	-
C: Top of Curbs to Top of C.R. Subgrade	0.57	0.61	0.67	0.73	0.76	0.79	0.86	0.92	0.97	0.98	1.01

* UNDERDRAIN AGGREGATE

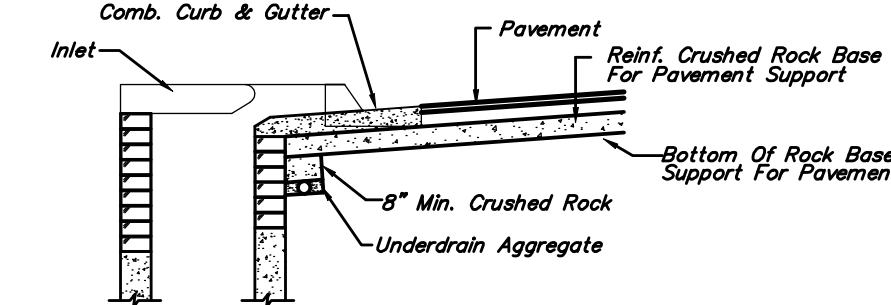
Percent of Aggregate Retained	
1"	0
3/4"	0 to 10
3/8"	45 to 80
#4	90 to 100
#8	95 to 100

Rock Quality Shall Conform To The Requirements Specified By KDOT 1990 Edition Standard Specification Subsection 1102 For Durability Class 1.

NOTE: Place 4" PVC Perforated Pipe at all drainage sump locations. Cast of Underdrain System to be incidental to the Reinforced Crushed Rock Subgrade. Inlet Type May Vary From That Shown.

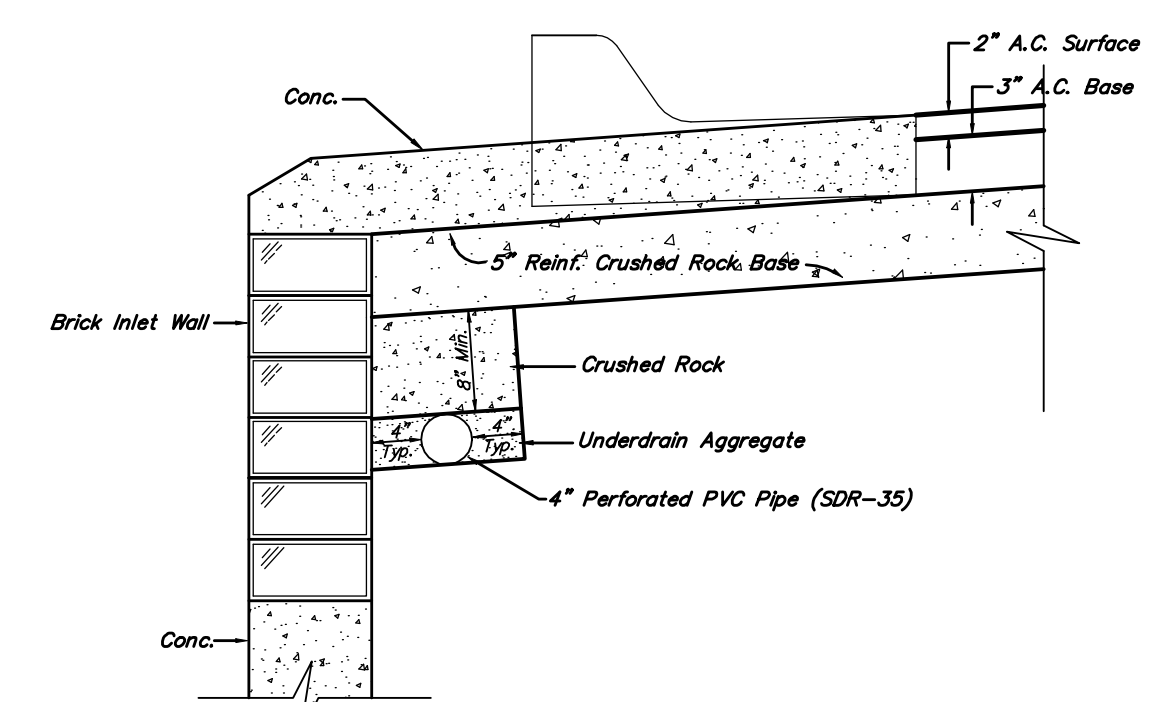


PAVEMENT UNDERDRAIN DETAIL
NOT TO SCALE



(Min. 16 Perforations Per Lin. Ft. @ 1/4" Dia.)
Perforations To Be on Bottom Half

SECTION A-A



TRENCH DRAIN DETAIL FOR RES. STREETS
NOT TO SCALE

Baughman		5 Inch Residential Asphaltic Concrete Pavement w/ Crushed Rock Base on Fabric Reinf. CROWNED SECTION	
Baughman Company, P.A. 315 Ella St. Winton, KS 67111 P 316-262-7171 F 316-262-0149			
ENGINEERING SURVEYING PLANNING LANDSCAPE ARCHITECTURE			
PROJECT NUMBER	DESIGN	DRAWN Staff	
REVISIONS:	APPROVED	DATE 04/07	
	SCALE	None	
	SHEET	2 OF 36	