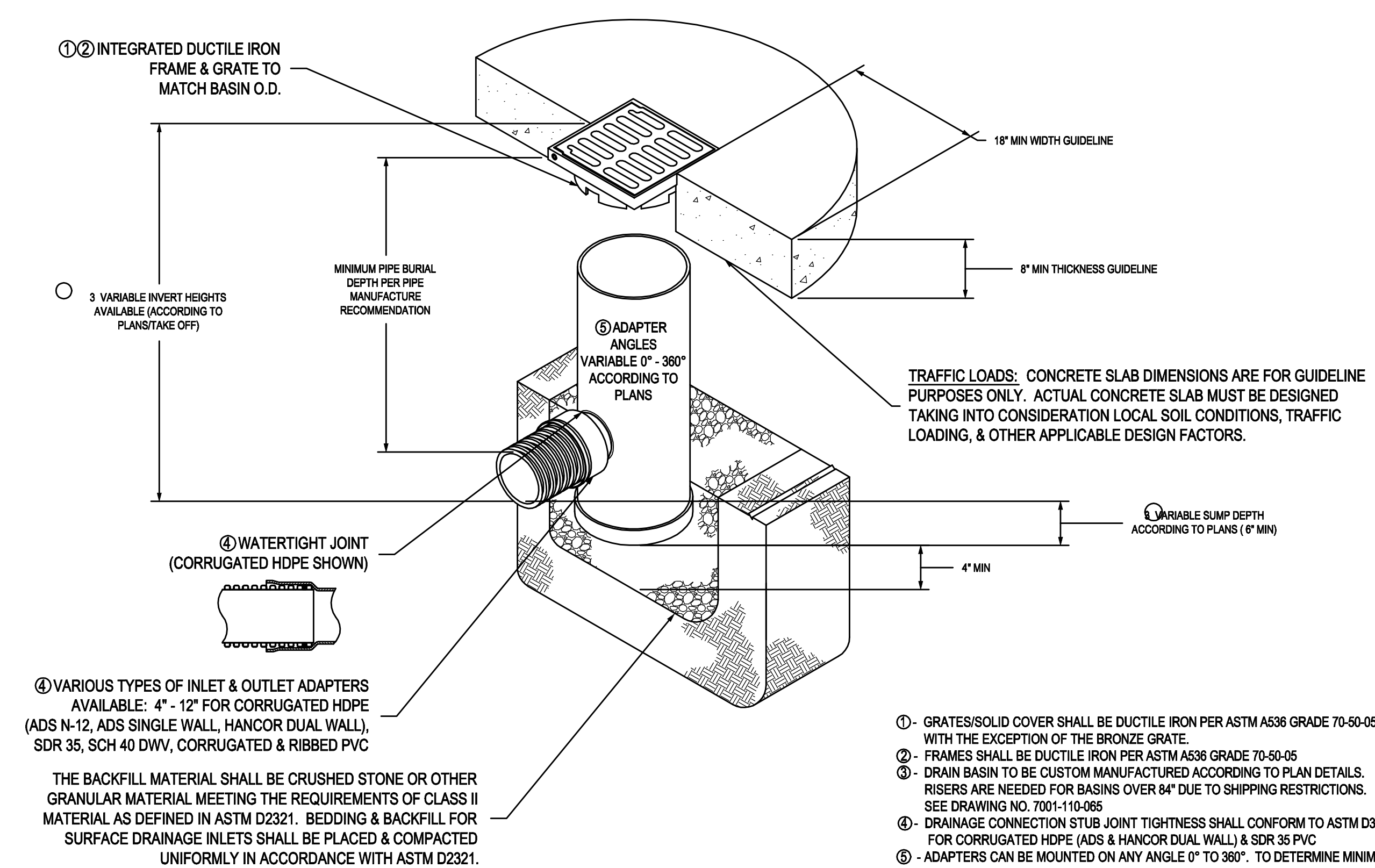


NYLOPLAST 12" DRAIN BASIN: 2812AG __ X



GRATE OPTIONS	LOAD RATING	PART #	DRAWING #
PEDESTRIAN	MEETS H-10	1299CGP	7001-110-202
STANDARD	MEETS H-20	1299CGS	7001-110-203
SOLID COVER	MEETS H-20	1299CGC	7001-110-204
PEDESTRIAN BRONZE	LIGHT DUTY	1299CGPB	7001-110-206
DOMED	N/A	1299CGD	7001-110-206
DROP IN GRATE	LIGHT DUTY	1201DI	7001-110-021

THIS PRINT DISCLOSES SUBJECT MATTER IN WHICH NYLOPLAST HAS PROPRIETARY RIGHTS. THE RECEIPT OR POSSESSION OF THIS PRINT DOES NOT CONFER, TRANSFER, OR LICENSE THE USE OF THE DESIGN OR TECHNICAL INFORMATION SHOWN HEREIN. REPRODUCTION OF THIS PRINT OR ANY INFORMATION CONTAINED HEREIN, OR MANUFACTURE OF ANY ARTICLE HEREFROM, FOR THE DISCLOSURE TO OTHERS IS FORBIDDEN, EXCEPT BY SPECIFIC WRITTEN PERMISSION FROM NYLOPLAST.

DRAWN BY	EBC	MATERIAL
DATE	3-29-06	
APPD BY	CJA	PROJECT NO./NAME
DATE	3-29-06	
DWG SIZE	A	SCALE 1:20 SHEET 1 OF 1

Nyloplast

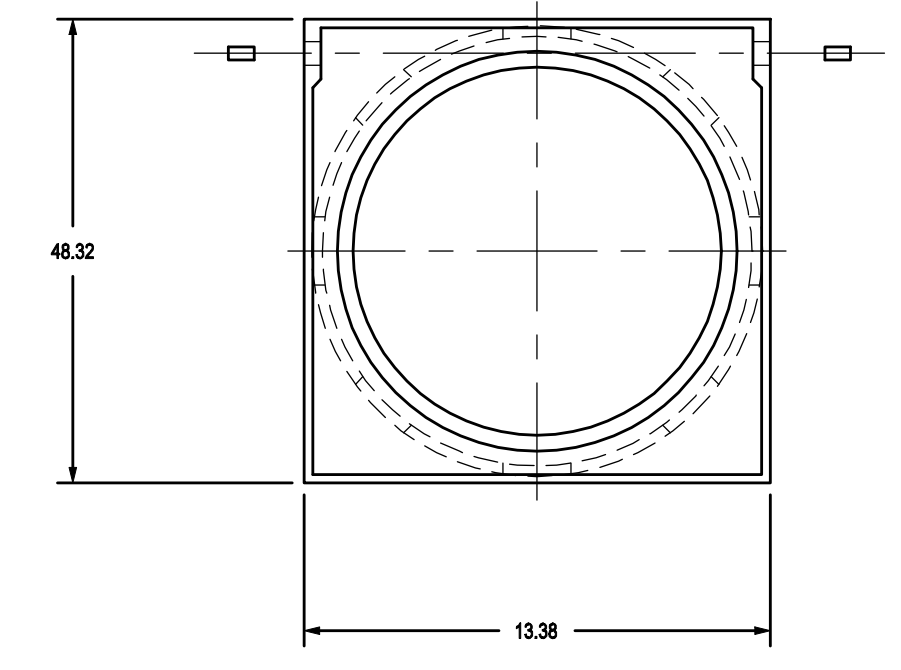
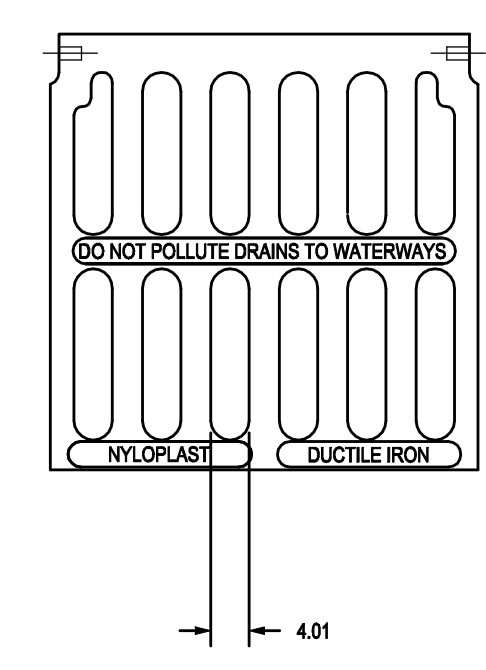
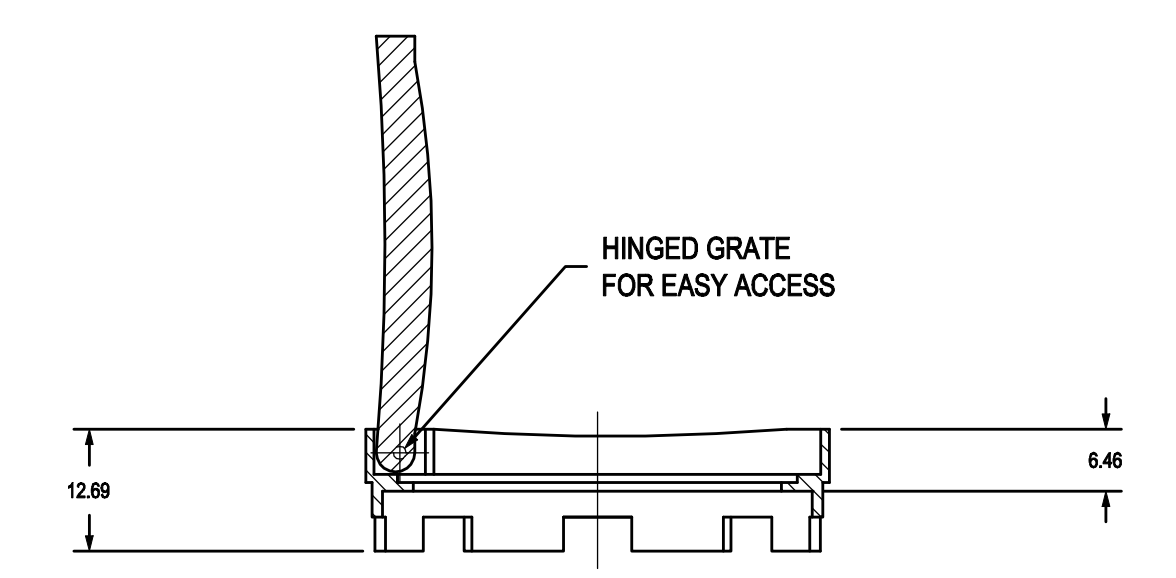
3130 VERONA AVE
BUFORD, GA 30518
PHN (770) 932-2443
FAX (770) 932-2490
www.nyloplast-us.com

TITLE
12 IN DRAIN BASIN QUICK SPEC INSTALLATION DETAIL

DWG NO. 7001-110-189 REV B

1299CGS

APPROX. DRAIN AREA = 60.62 SQ IN
APPROX. WEIGHT WITH FRAME = 40.68 LBS



ALL DIMENSIONS IN INCHES UNLESS NOTED OTHERWISE
GRATE MEETS H-20 LOAD RATING
QUALITY: MATERIALS SHALL CONFORM TO ASTM A536 GRADE 70-50-05
PAINT: CASTINGS ARE FURNISHED WITH A BLACK PAINT
LOCKING DEVICE AVAILABLE UPON REQUEST SEE DRAWING NO. 7001-110-035

THIS PRINT DISCLOSES SUBJECT MATTER IN WHICH NYLOPLAST HAS PROPRIETARY RIGHTS. THE RECEIPT OR POSSESSION OF THIS PRINT DOES NOT CONFER, TRANSFER, OR LICENSE THE USE OF THE DESIGN OR TECHNICAL INFORMATION SHOWN HEREIN. REPRODUCTION OF THIS PRINT OR ANY INFORMATION CONTAINED HEREIN, OR MANUFACTURE OF ANY ARTICLE HEREFROM, FOR THE DISCLOSURE TO OTHERS IS FORBIDDEN, EXCEPT BY SPECIFIC WRITTEN PERMISSION FROM NYLOPLAST.

DRAWN BY	EBC	MATERIAL
DATE	3-3-06	DUCTILE IRON
APPD BY	CJA	PROJECT NO./NAME
DATE	3-3-06	
DWG SIZE	A	SCALE 1:8 SHEET 1 OF 1

Nyloplast

3130 VERONA AVE
BUFORD, GA 30518
PHN (770) 932-2443
FAX (770) 932-2490
www.nyloplast-us.com

TITLE
12 IN STANDARD GRATE ASSEMBLY

DWG NO. 7001-110-203 REV B

Baughman

12 IN DRAIN BASIN QUICK SPEC INSTALLATION DETAIL/ 12 IN STD. GRATE ASSEMBLY

Baughman Company, P.A. 315 Ella St. Wishes, KS 67111 P 316-262-7171 F 316-262-0149
ENGINEERING | SURVEYING | PLANNING | LANDSCAPE ARCHITECTURE

PROJECT NUMBER	DESIGN	DRAWN
REVISIONS:	APPROVED	DATE
	SCALE	NONE
	SHEET	22 OF 36