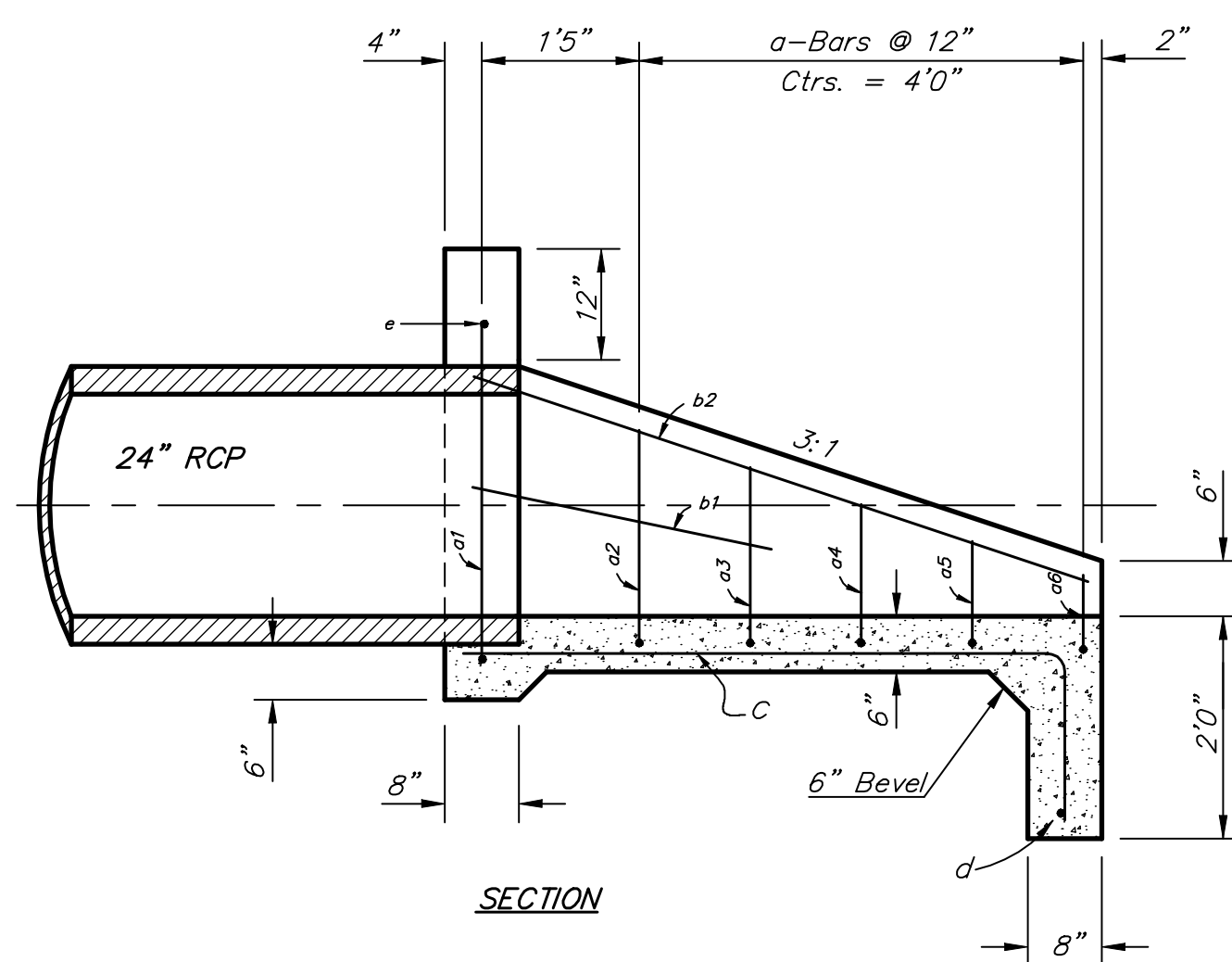
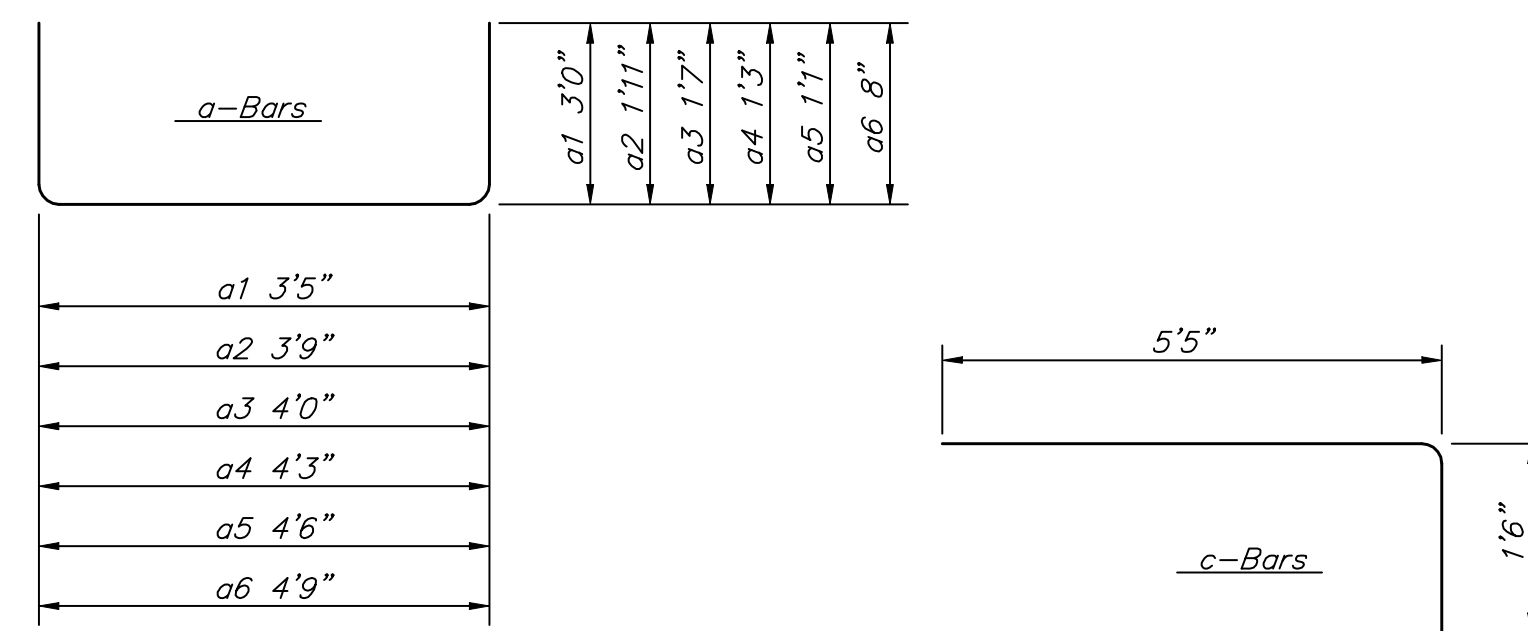


PLAN



SECTION

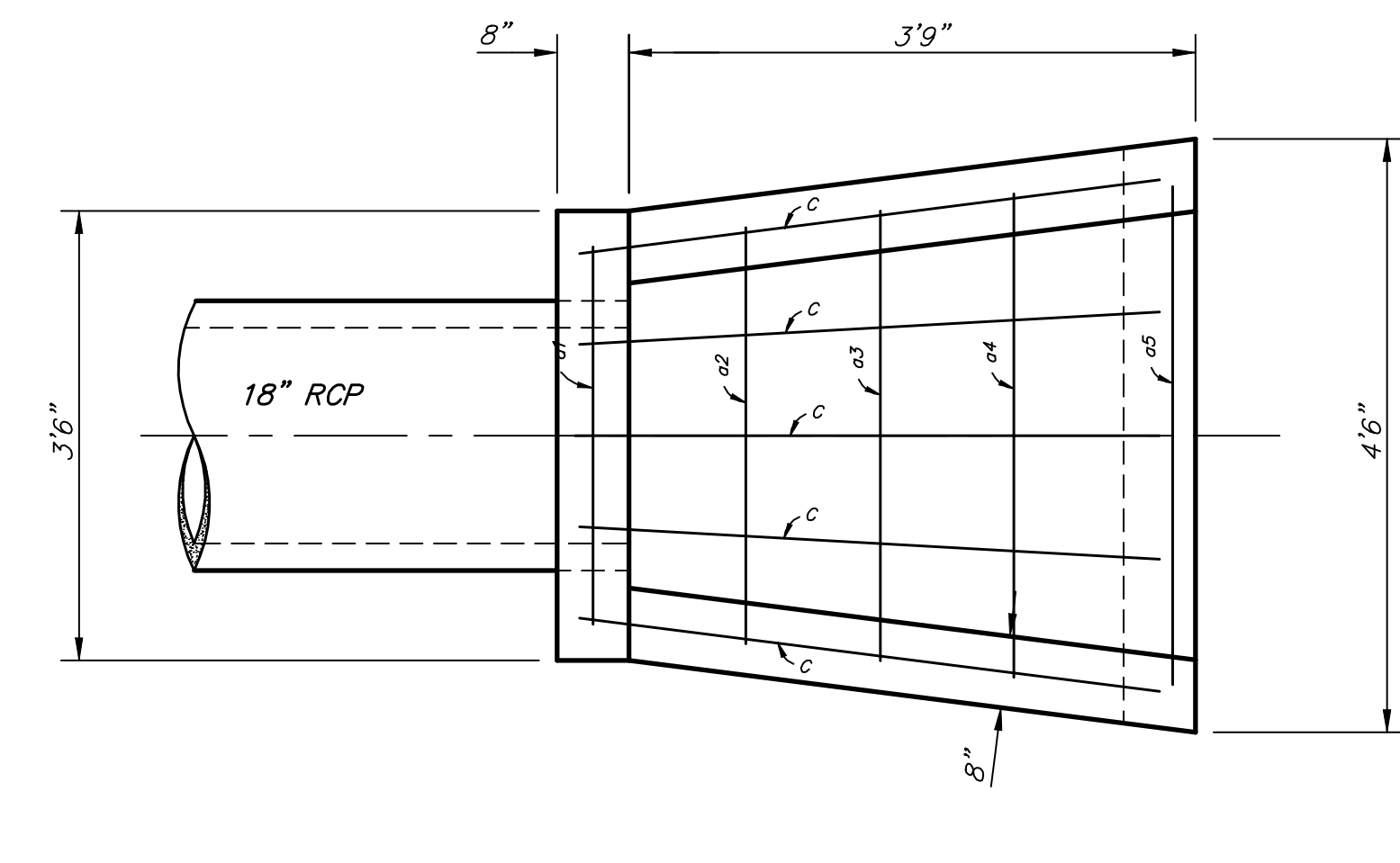


REBAR SCHEDULE

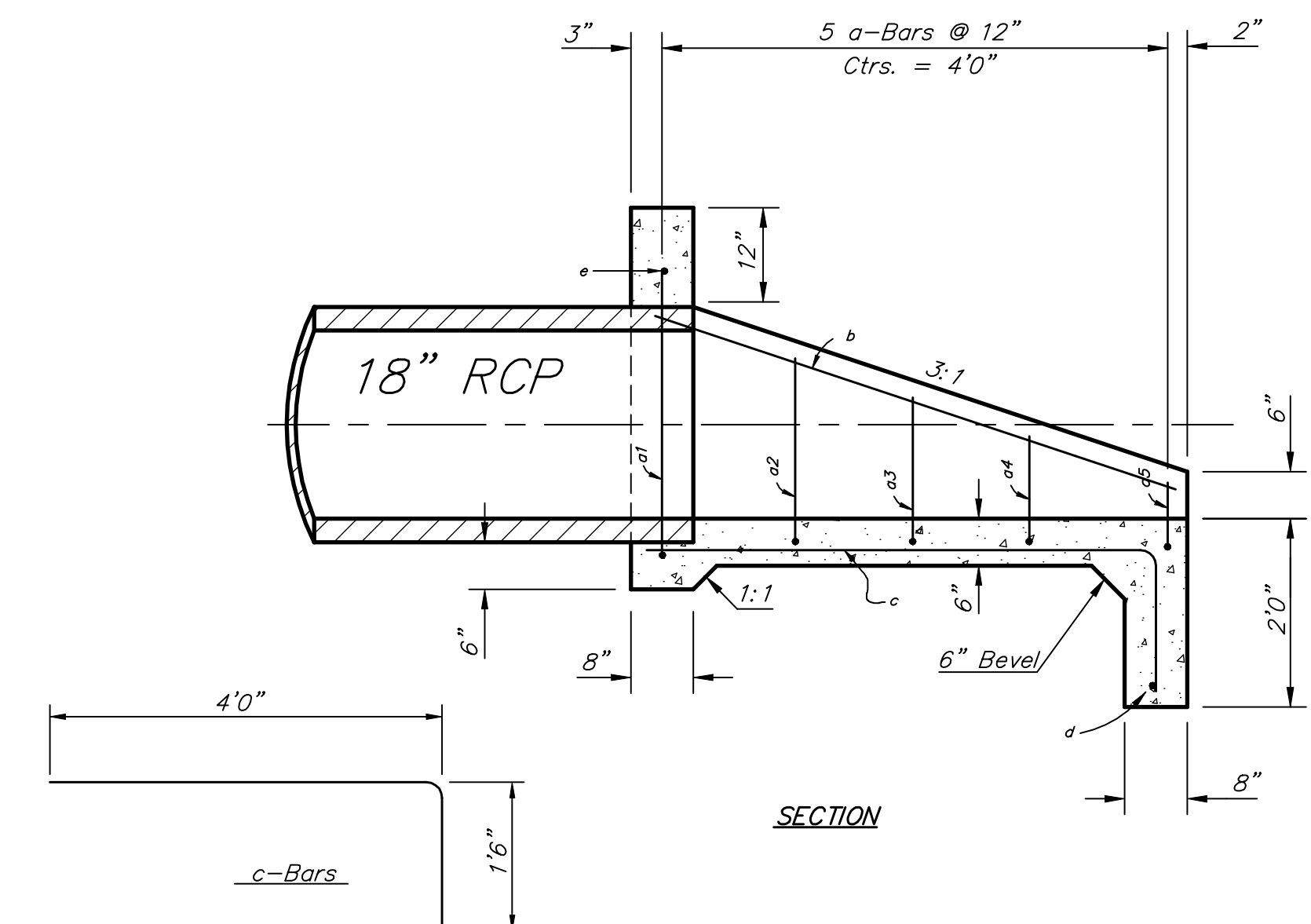
Bar	Shape	No.	Length	Weight
a1	U	1	9'5"	6.29
a2	U	1	7'7"	5.07
a3	U	1	7'2"	4.79
a4	U	1	6'9"	4.51
a5	U	1	6'4"	4.23
a6	U	1	6'1"	4.06
b1	U	2	2'9"	3.67
b2	U	2	5'10"	7.79
c	U	6	6'11"	27.72
d	U	1	5'0"	3.37
e	U	1	3'10"	2.56
Total Rebar			74.03 Lbs.	
Concrete			1.40 C.Y.	

A Deduction in Concrete Quantities Has Been Made for Pipe Openings Through the Headwall  
 \* Field Bend or Cut Reinforcing as Required for Clearance.  
 All Concrete Reinforcement to be #4 Rebar  
 All Rebar to Have Min. of 1 1/2" Conc. Cover

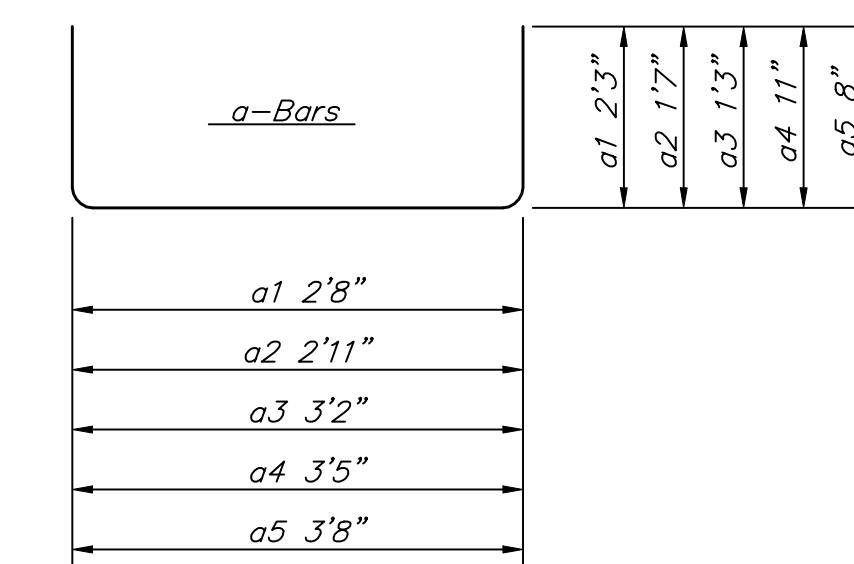
HEADWALL FOR 24" RCP



PLAN



SECTION



REBAR SCHEDULE

Bar	Shape	No.	Length	Weight
a1	U	1	7'2"	4.79
a2	U	1	6'1"	4.06
a3	U	1	5'8"	3.79
a4	U	1	5'3"	3.51
a5	U	1	5'0"	3.34
b	U	2	4'0"	5.34
c	U	5	5'6"	18.37
d	U	1	4'0"	2.67
e	U	1	3'2"	2.12
Total Rebar			47.99 Lbs.	
Concrete			0.91 C.Y.	

A Deduction in Concrete Quantities Has Been Made for Pipe Openings Through the Headwall  
 \* Field Bend or Cut Reinforcing as Required for Clearance.  
 All Concrete Reinforcement to be #4 Rebar  
 All Rebar to Have Min. of 1 1/2" Conc. Cover

HEADWALL FOR 18" RCP

- GENERAL NOTES**
- All pipes shall be flush cut prior to being cast into concrete headwall.
  - Concrete used in headwall construction shall be same as per city standard paving mix except that it shall have a minimum 28 day compressive strength of 4000 psi.
  - All exposed edges shall be beveled 1/2".
  - Reinforcing steel shall comply to a.s.t.m. designation a615 grade 60. All dimensions relative to reinforcing steel are to centerline of bar unless otherwise noted.
  - The "Rein. Conc. Headwall" shall be paid for at the unit price bid per each in place which shall include all labor, materials, excavation, concrete, reinforcing steel and all other incidental items necessary to complete the work. Material quantities shown are for information only.
  - A deduction in concrete quantities has been made for pipe openings through the headwall.
  - All concrete reinforcement to be #4 Rebar.
  - All rebar to have min. of 1 1/2" conc. cover.

	Clifton Cove Addition	
	<b>HEADWALL DETAIL</b>	
STORM WATER DRAIN #269		
Baughman Company, P.A. 315 Ellis St. Wichita, KS 67211 P 316-262-7271 F 316-262-0149		
ENGINEERING   SURVEYING   PLANNING   LANDSCAPE ARCHITECTURE		
PROJECT NUMBER 468-84079	DESIGN Staff	DRAWN Staff
REVISIONS:	APPROVED	DATE 8/29/06
	SCALE Noted	
	SHEET	
		<b>12</b> OF <b>21</b>