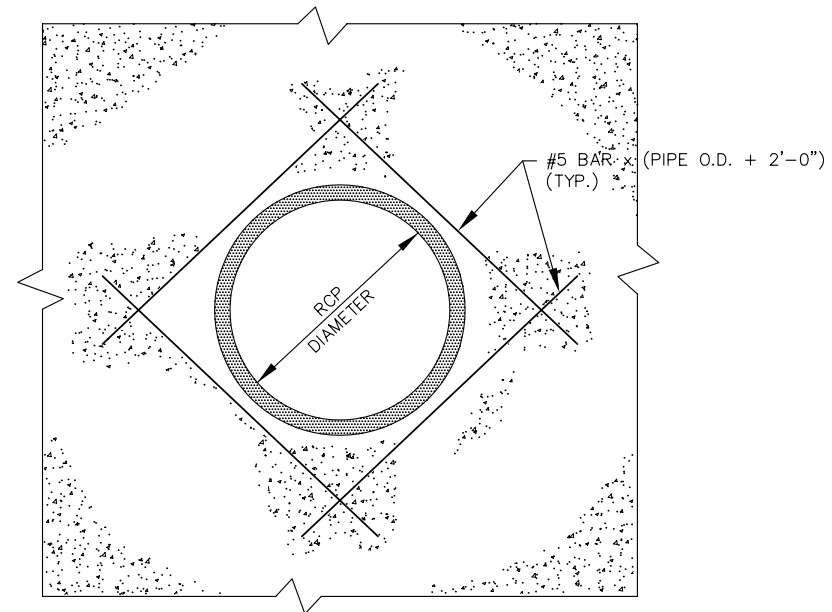


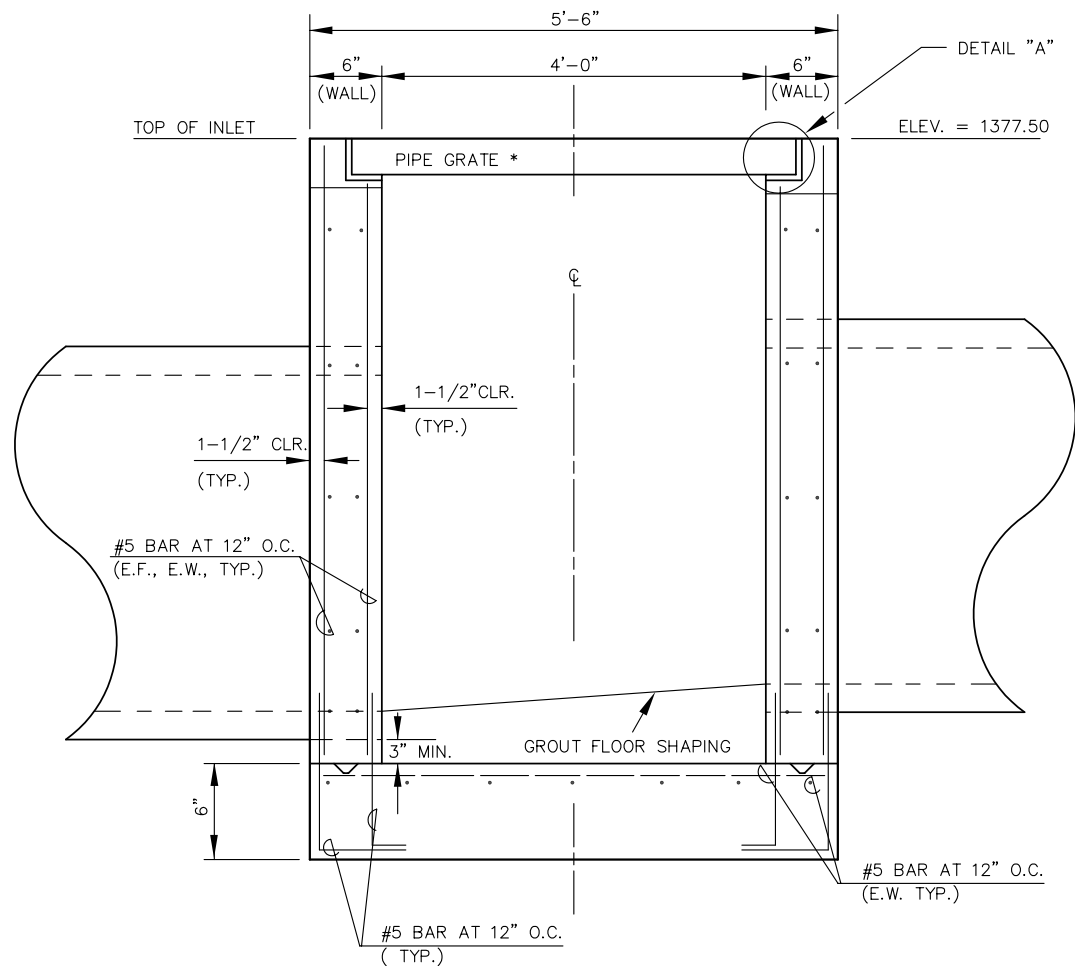
PLAN VIEW

CONTRACTOR MAY SUBSTITUTE 8" BRICK WALL FOR 6" REINFORCED CONCRETE WALL.



NOTE:  
CUT REINFORCING AS REQUIRED TO CLEAR RCP.

TYPICAL REINFORCING AT PIPE



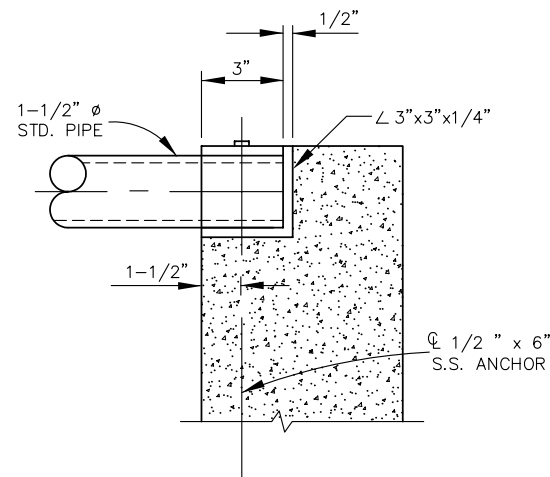
ELEVATION VIEW

**REINFORCED CONCRETE AREA INLET**

MATERIAL SPEC'S

- MORTAR - TYPE "M"
- BRICK - ASTM C62 GRADE MW
- STEEL - ASTM A36 OR EQUIVALENT
- GALV. ASTM A-123 STDS.
- CONCRETE -  $F'_c = 4,000$  PSI MINIMUM WITH 6 SACKS OF CEMENT PER CUBIC YARD MINIMUM.

ORIFICE EQUATION				
$Q = C \cdot A \cdot \sqrt{2gh}$				
h (DEPTH)	2g	C	A	Q
0.5	64.4	0.7	8.625	34.3 cfs
1.0	64.4	0.6	8.625	41.5 cfs
2.0	64.4	0.6	8.625	58.7 cfs
2.0	64.4	0.7	8.625	68.5 cfs
3.0	64.4	0.6	8.625	71.9 cfs
4.0	64.4	0.6	8.625	83.1 cfs
5.0	64.4	0.6	8.625	92.9 cfs
6.0	64.4	0.6	8.625	101.7 cfs
7.0	64.4	0.6	8.625	109.9 cfs
8.0	64.4	0.6	8.625	117.5 cfs



NOTE:  
FABRICATED STEEL GRATING SHALL BE GALVANIZED AS SPECIFIED BY ASTM A-123.

DETAIL "A"



**COUNTRY HOLLOW ADDITION  
LAKES PHASE 1**  
PROJECT NAME

**REINFORCED CONCRETE AREA INLET**  
SHEET TITLE

DFL DESIGN BY.	MKEC DRAWN BY.	GJA CHECKED BY.
JANUARY 2006 DATE	04429 JOB NO.	6 / 32 SHEET/OF

J:\Civil\04429\dwg\SWS\PHASE 1\BND\04429\_ED3