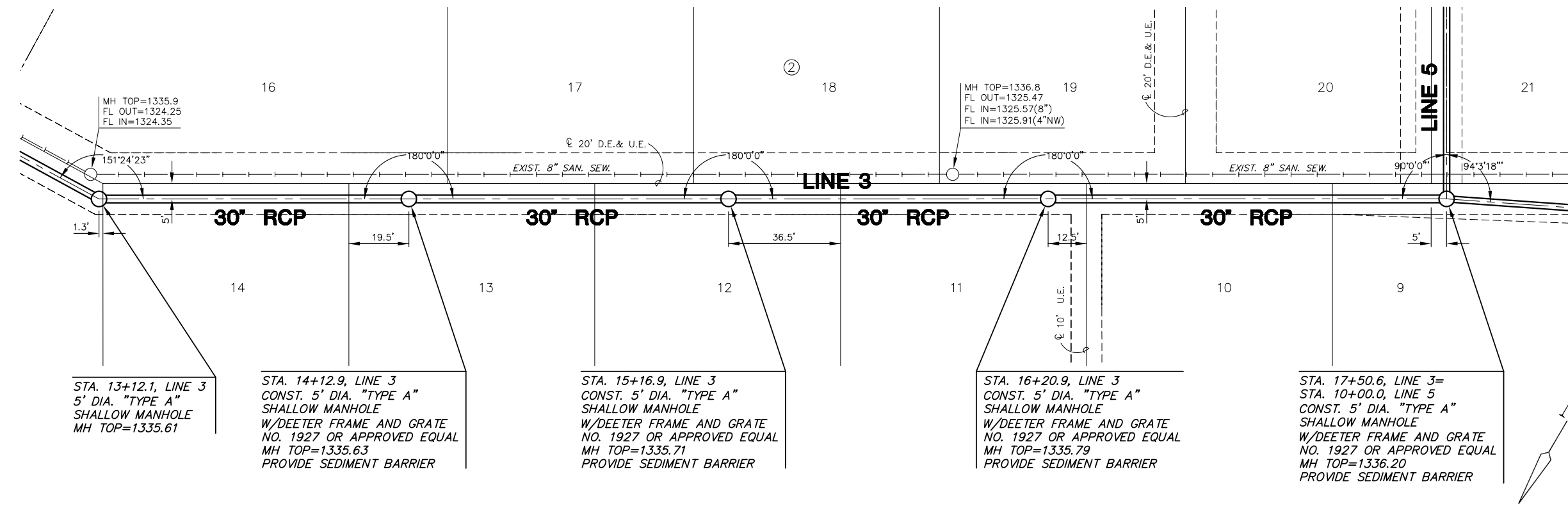
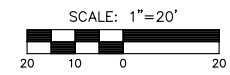


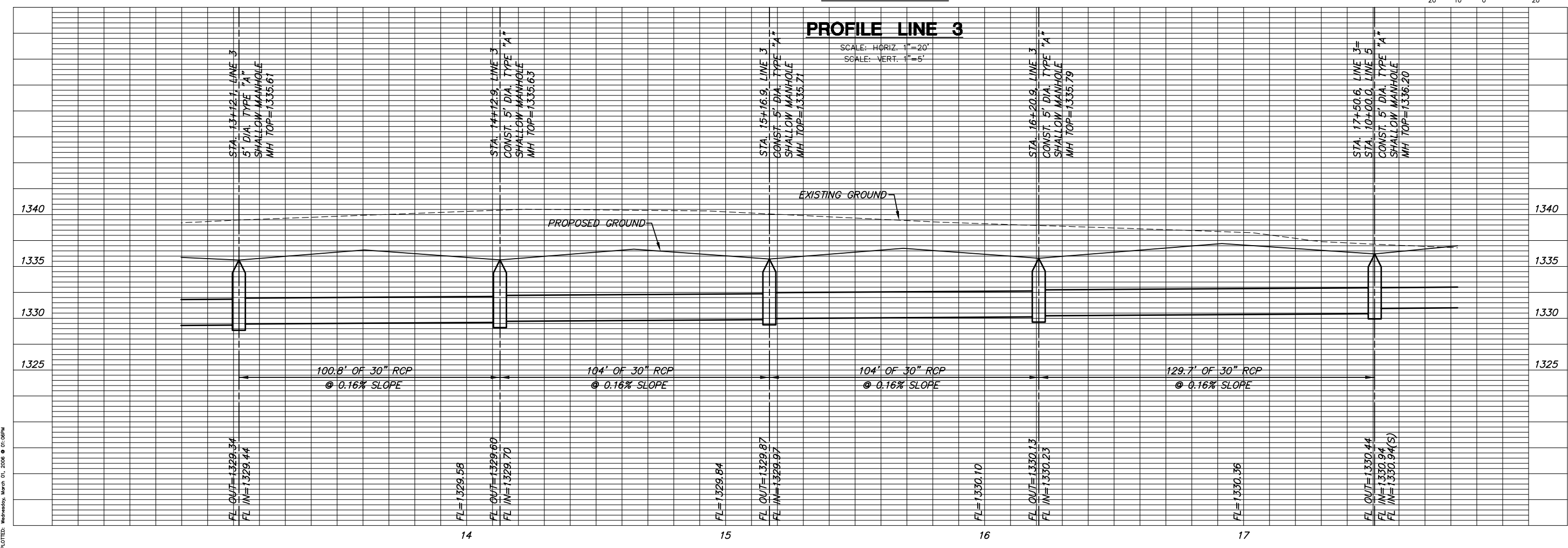
COUNTRY HOLLOW ADDITION



PLAN LINE 3



PROFILE LINE 3



STORMWATER PLANS

COUNTRY HOLLOW

PHASE 1

LINE 3
SHEET TITLE
468-84113
PROJECT NUMBER

DESIGN BY: DFL
DRAWN BY: MKEC
CHECKED BY: GJA

ISSUED: JANUARY/2006
REVISED:

SHEET NO.
10 of 32