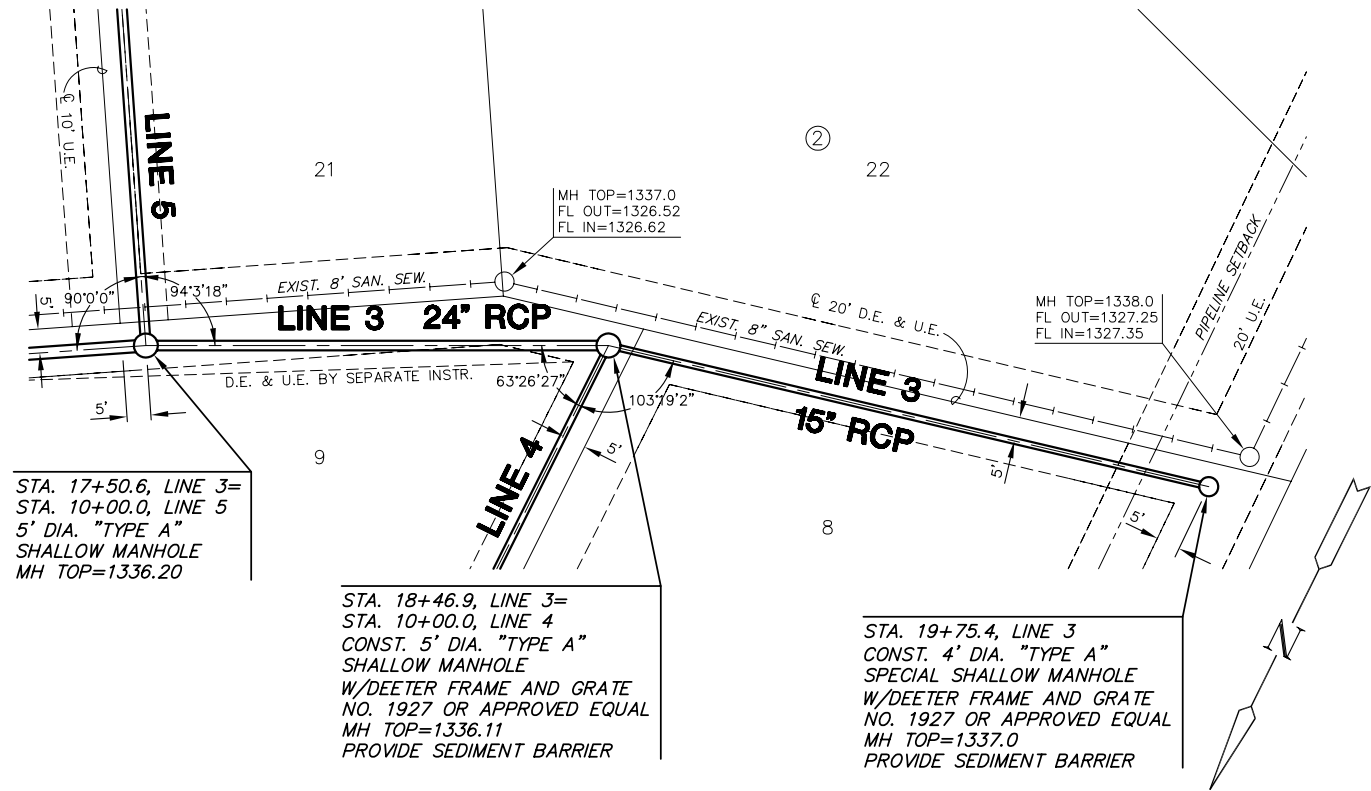


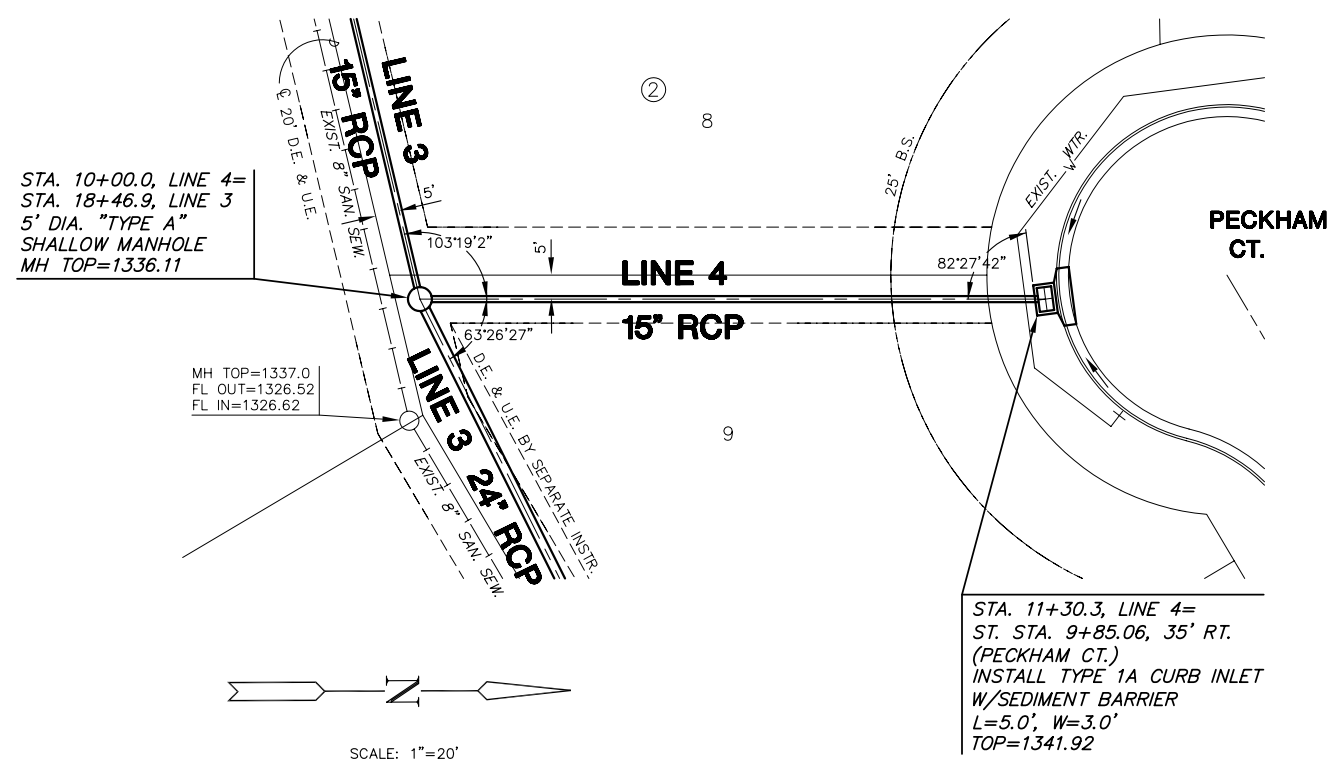
COUNTRY HOLLOW ADDITION



PLAN LINE 3



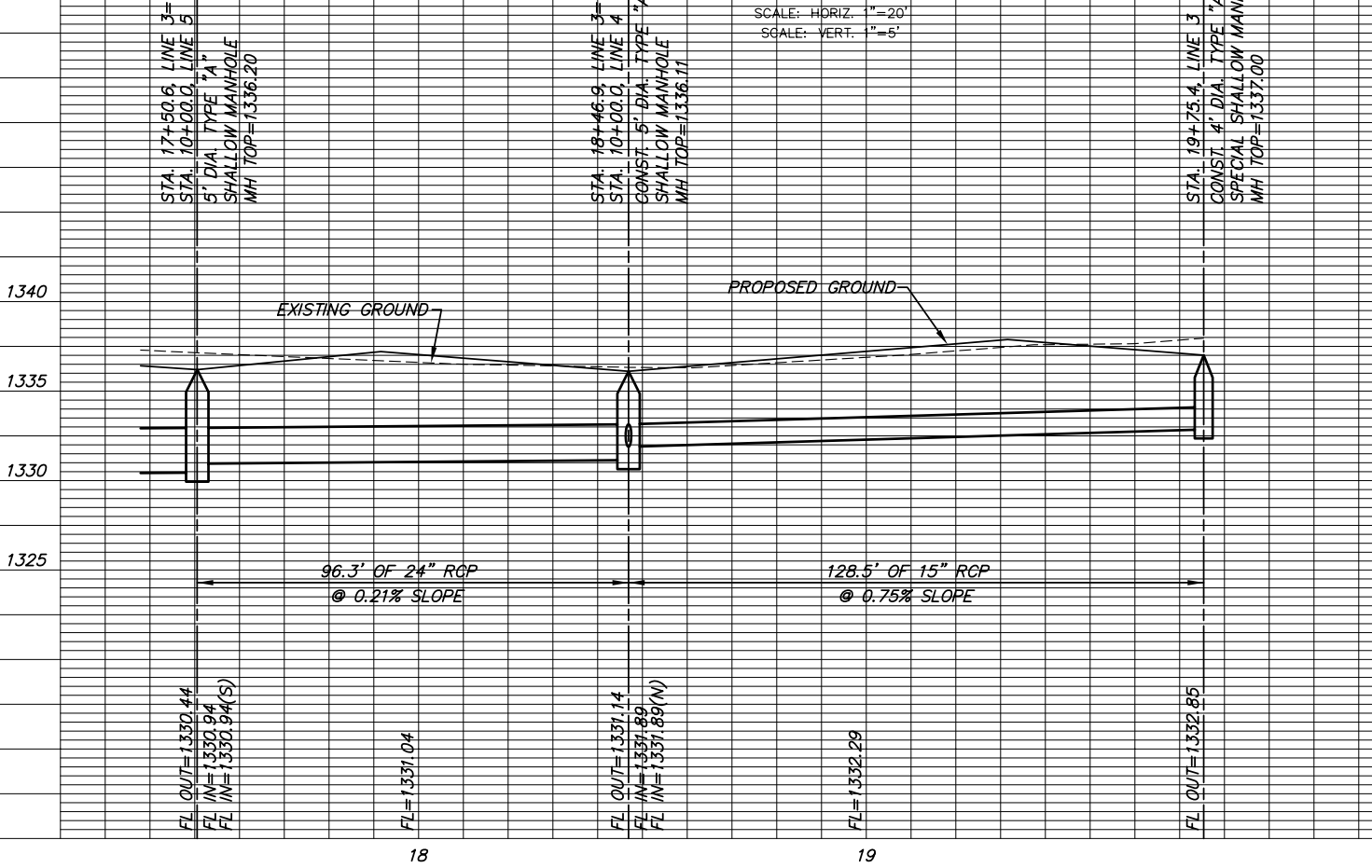
COUNTRY HOLLOW ADDITION



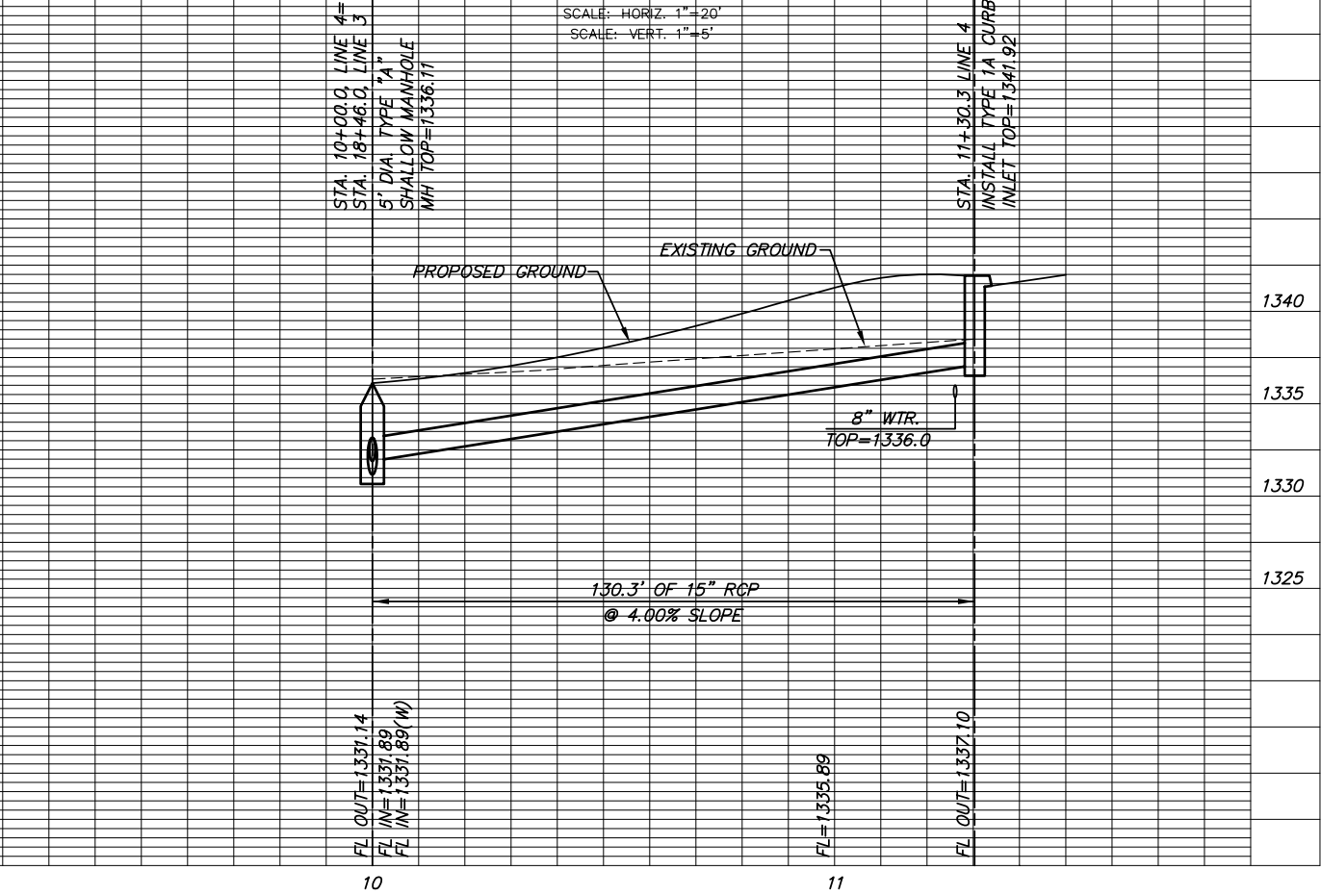
PLAN LINE 4



PROFILE LINE 3



PROFILE LINE 4



PLOTTED: Wednesday, March 01, 2006 @ 01:19PM

J:\Civil\04429\Draw\SWS\PHASE 1\dwg\04429-01.dwg