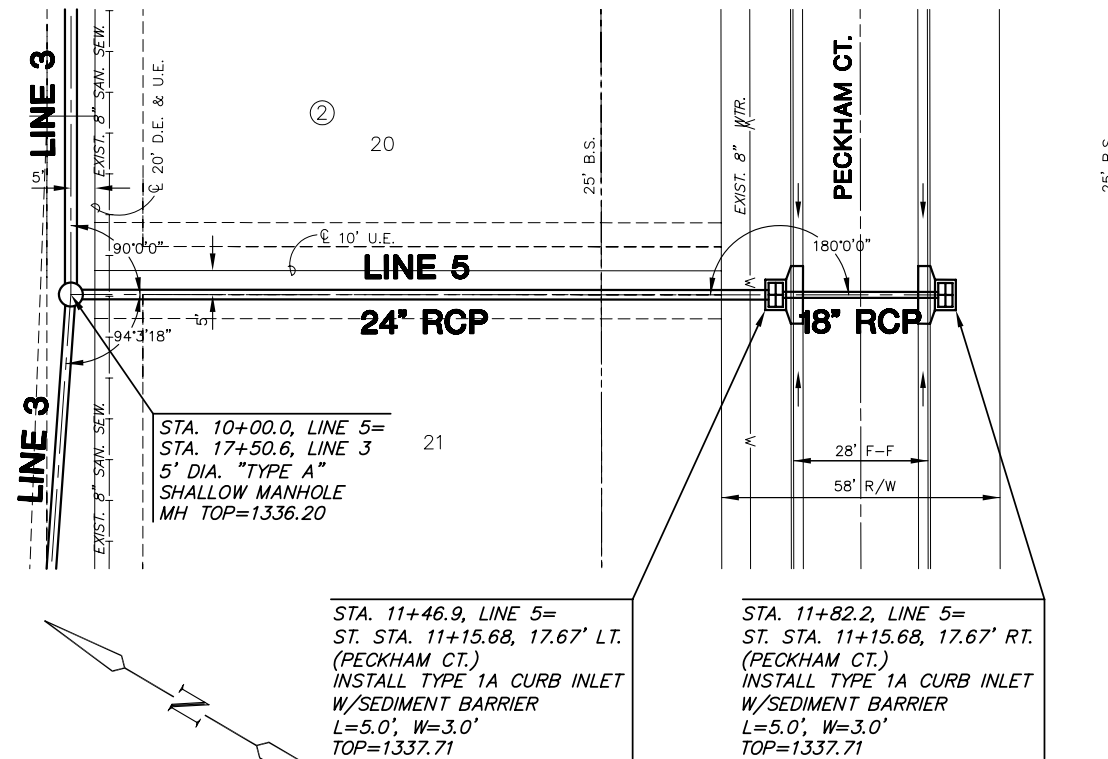
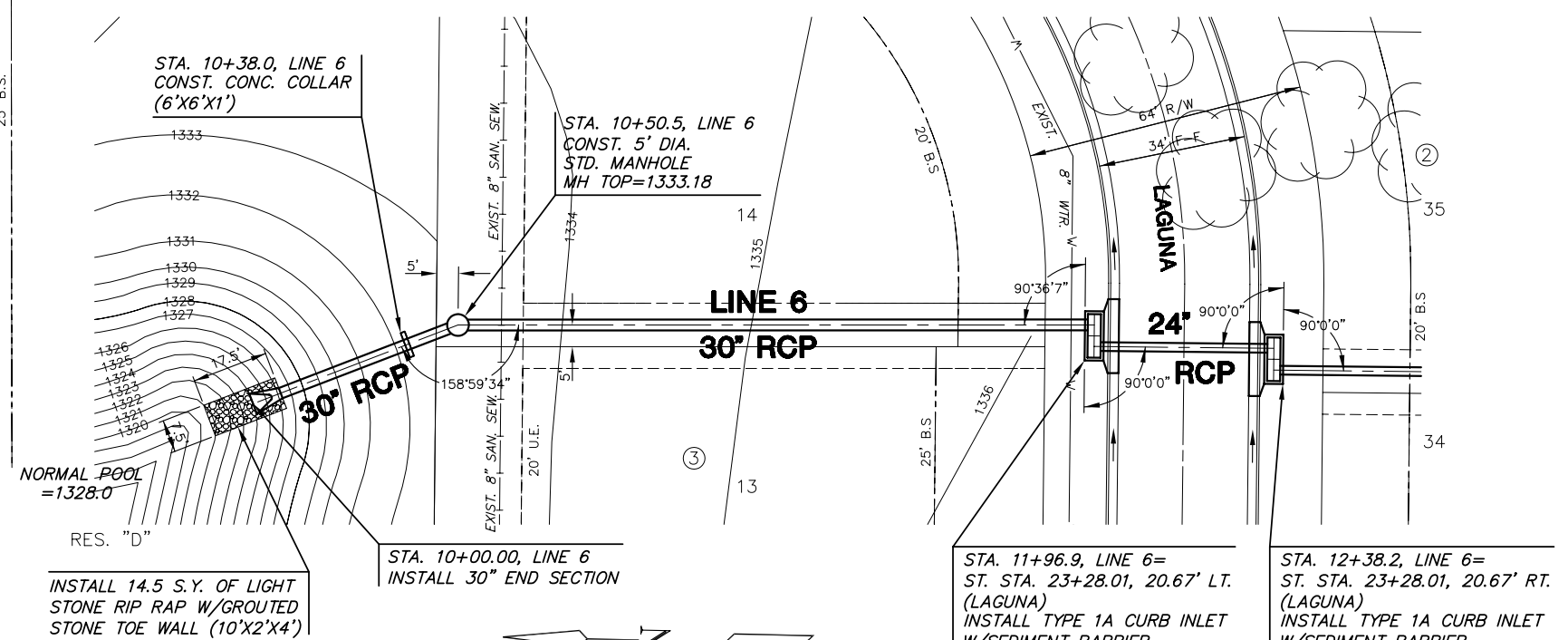


COUNTRY HOLLOW ADDITION



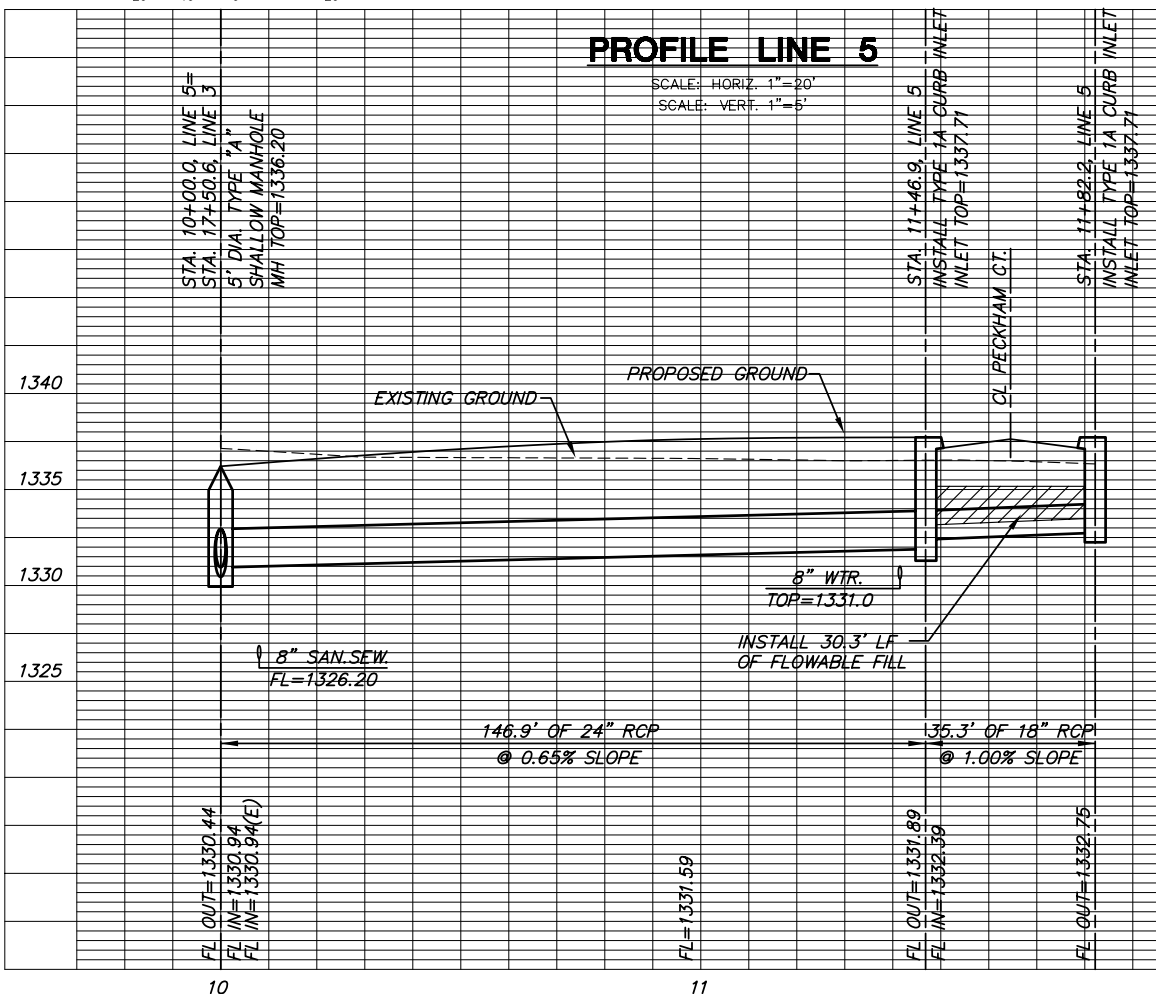
PLAN LINE 5

COUNTRY HOLLOW ADDITION

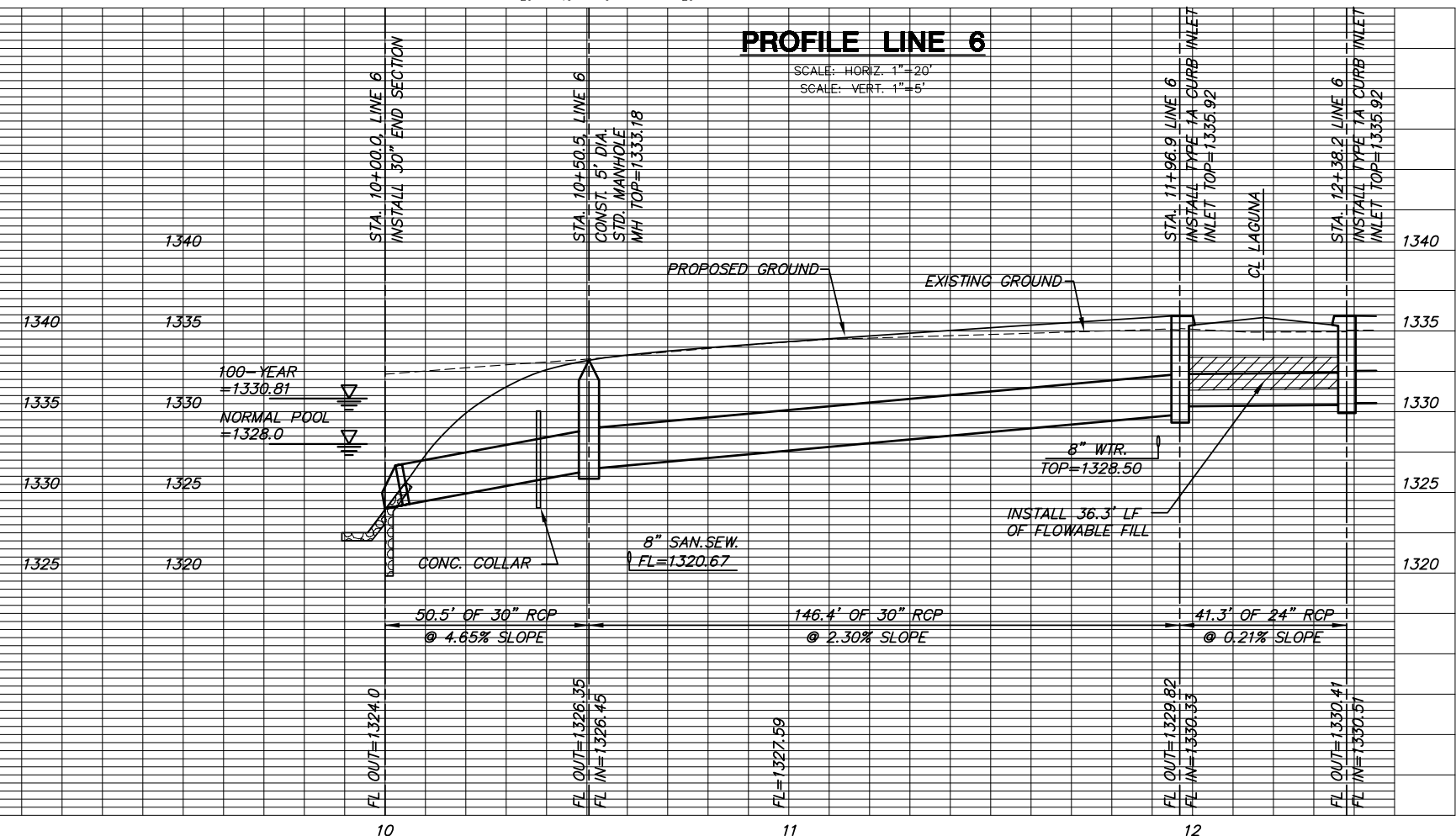


PLAN LINE 6

PROFILE LINE 5



PROFILE LINE 6



LINES 5 & 6
SHEET TITLE
468-84113
PROJECT NUMBER

DESIGN BY: DFL
DRAWN BY: MKEC
CHECKED BY: GJA

ISSUED: JANUARY/2006
REVISED:

SHEET NO.
12 of 32

PLOTTED: Wednesday, March 01, 2006 @ 01:15PM

J:\Civil\04429\04429\SW\PHASE 1.dwg