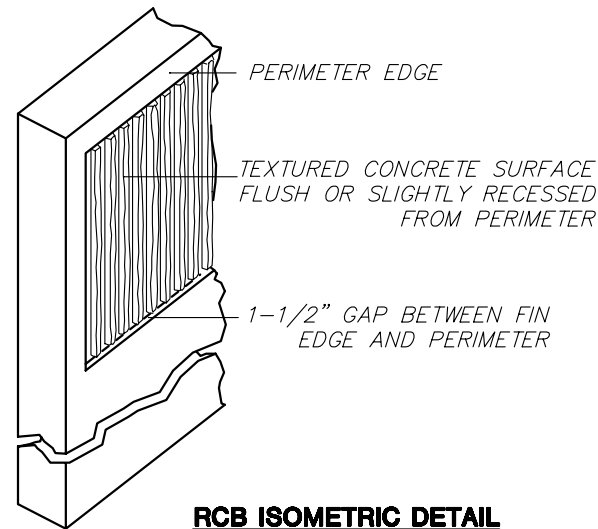
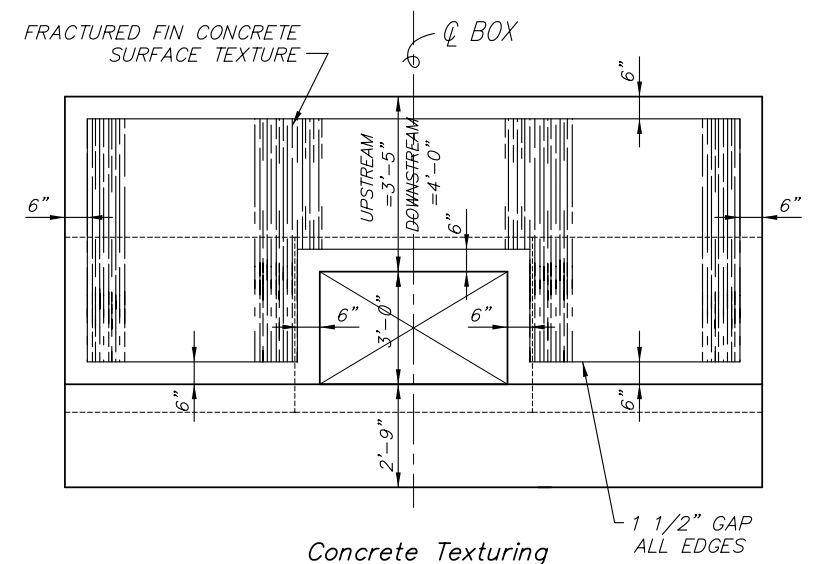


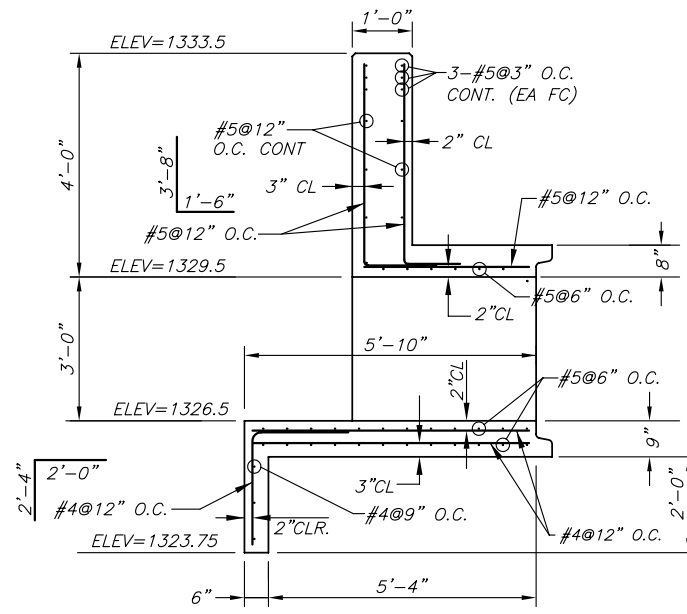
**PLAN VIEW**  
(Normal to Q Roadway @ STA 28+00.0)  
SCALE 1/4"=1'-0"



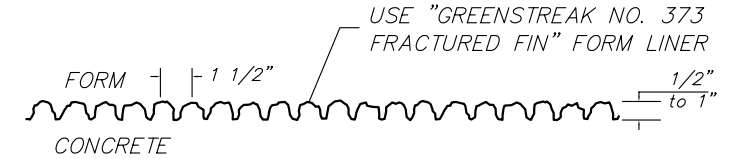
**RCB ISOMETRIC DETAIL**



**TEXTURED CONCRETE SURFACE (OUTSIDE FACE, BOTH HEADWALLS)**  
NO SCALE

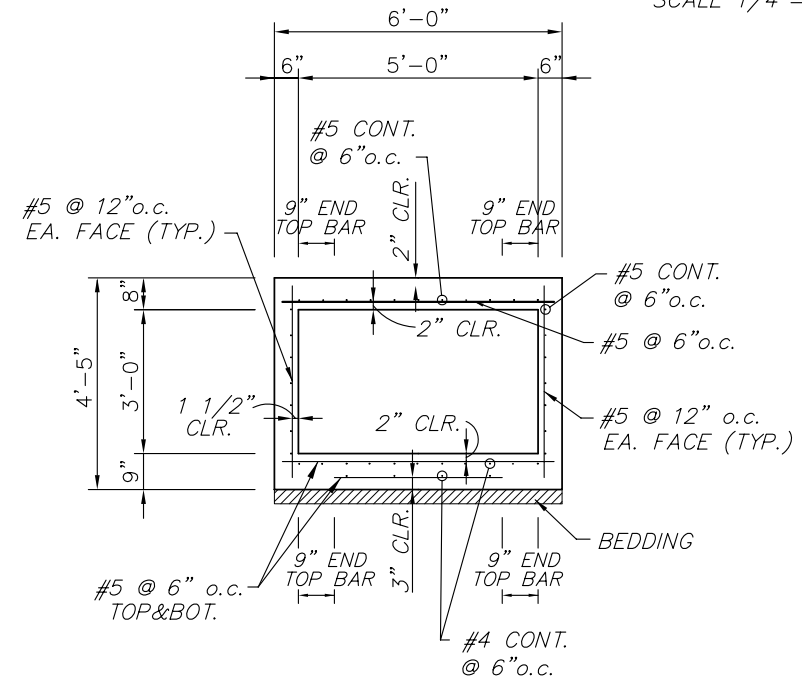


**SECTION D-D**  
HEADWALL SECTION  
SCALE 1/2"=1'-0"

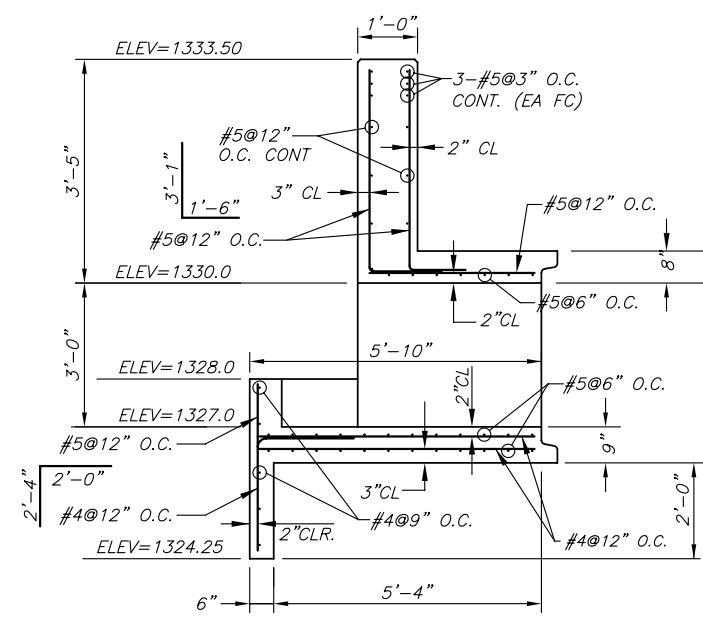


**FRACTURED FIN DETAIL PATTERN-TYPICAL SECTION**

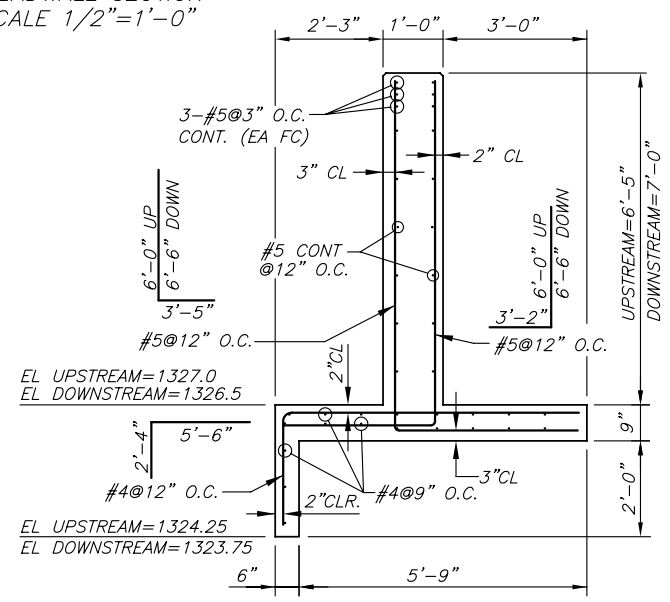
Provide textured concrete surface on both faces of weir structure. Texture shall be formed with "Greenstreak No. 373 Fractured Fin" form liner pattern or equal as shown in the 'Fractured Fin Detail Pattern-Typical Section' this sheet. All written manufacturer's recommendations shall be followed. Pattern shall have a 6" border at the top and sides as shown above. The textured concrete surface shall be flush or slightly recessed behind the face of perimeter surfaces. Cost of textured concrete is subsidiary to RCB Construction.



**SECTION A-A**  
TYP. RCB SECTION  
SCALE 1/2"=1'-0"



**SECTION B-B**  
HEADWALL SECTION  
SCALE 1/2"=1'-0"



**SECTION C-C**  
HEADWALL SECTION  
SCALE 1/2"=1'-0"



<b>COUNTRY HOLLOW ADDITION LAKES PHASE 1</b>		
PROJECT NAME		
<b>REINFORCED CONCRETE AREA INLET</b>		
SHEET TITLE		
DFL	MKEC	GJA
DESIGN BY:	DRAWN BY:	CHECKED BY:
JANUARY 2006	04429	17 / 32
DATE	JOB NO.	SHEET/OF

J:\Civil\04429\dwg\SWS\PHASE 1\BND\4429RCB1