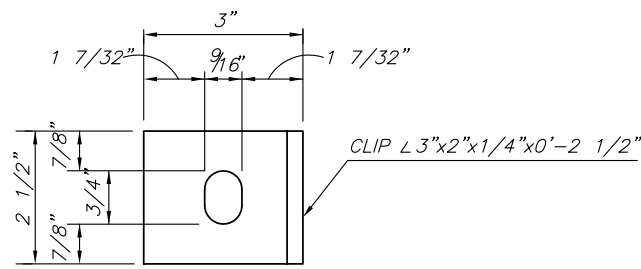
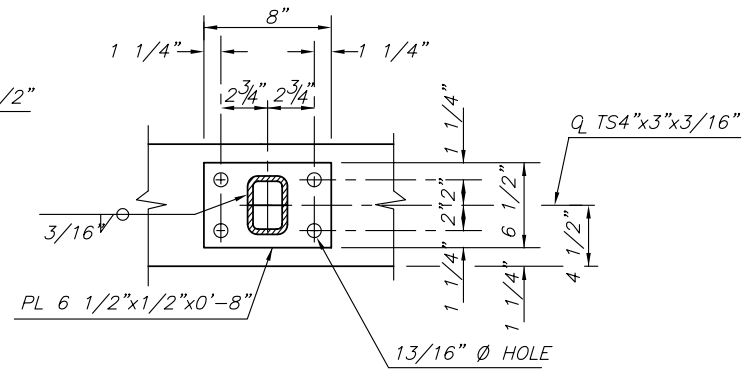


1/2" Ø U-BOLTS W/HEX NUTS, PL WSHRS & LOCK WSHRS (ALL GALV.)

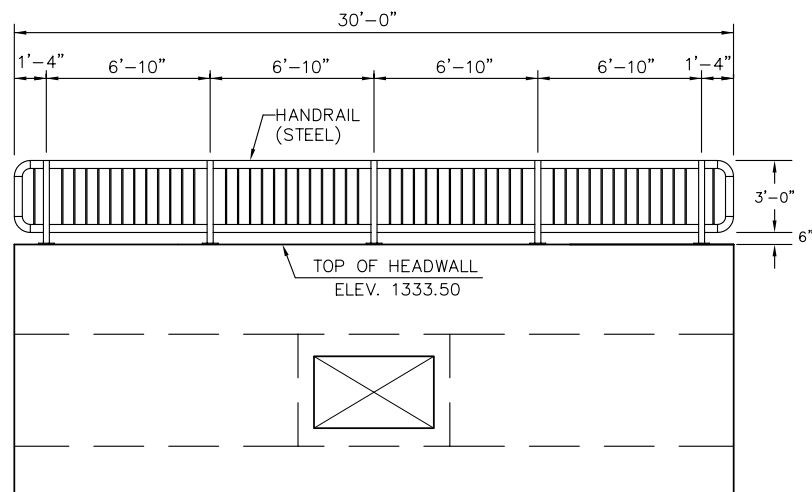
**TYPICAL RAIL SECTION**  
NO SCALE



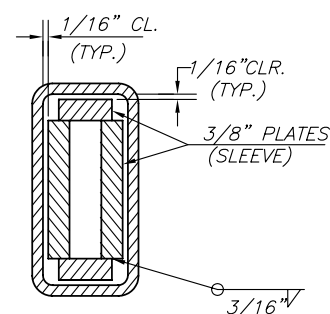
**CLIP DETAIL**  
NO SCALE



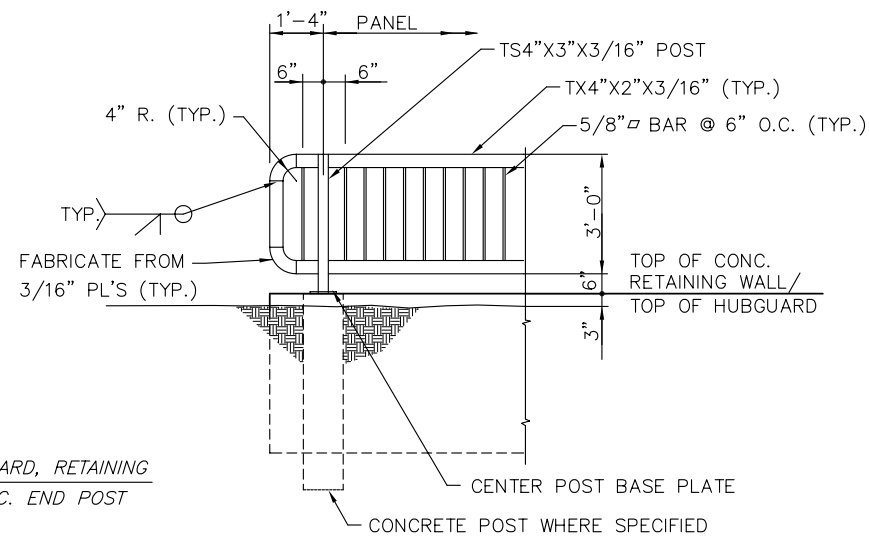
**BASE PLATE DETAIL**  
NO SCALE



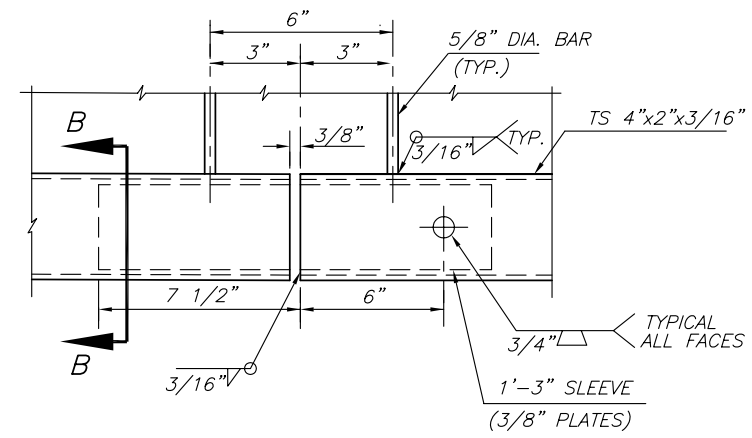
**HANDRAIL ELEVATION - HEADWALL**  
(2 REQUIRED)



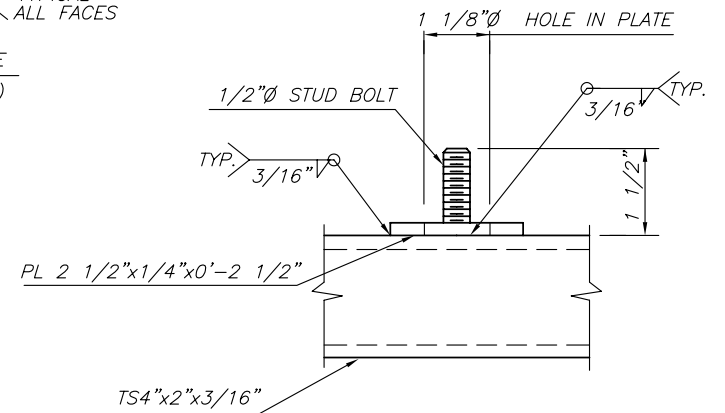
**SECTION B-B**  
NO SCALE



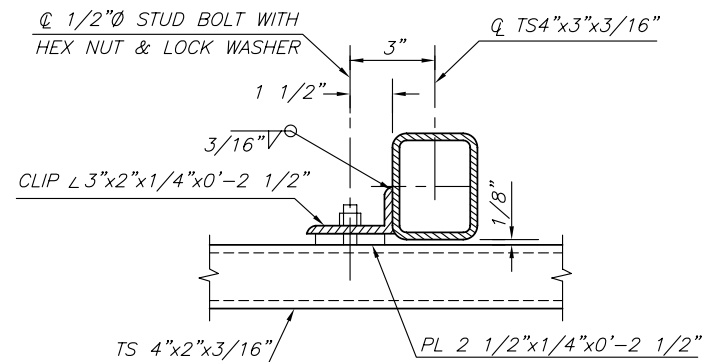
**TYPICAL HANDRAIL PANEL DETAIL**



**SLEEVE DETAIL**  
NO SCALE  
(BOTTOM RAIL SHOWN, TOP RAIL SIMILAR)



**STUD BOLT DETAIL**  
NO SCALE



**RAIL CONNECTION DETAIL**  
NO SCALE

**HANDRAIL NOTES:**

1. The rail members shall conform to ASTM Designation A36 or equivalent.
2. Rail shall be fabricated in lengths to include a minimum of two and a maximum of three panels. Posts shall be set vertical. Shims may be used between concrete and base plates of posts.
3. All parts of Handrail shall be painted. The primer coat shall conform to the inorganic Zinc System. Surface preparation shall be in accordance with that for structural steel. The finish coat shall be in accordance with waterborne acrylic finish coat. All materials, equipment and labor necessary for the installation of the Handrail shall be subsidiary to the bid item "RCB Handrail".
4. Paint shall be Themec semi-gloss Black or an equivalent approved by MKEC. Supply color chart to MKEC for approval prior to painting of handrail.



**COUNTRY HOLLOW ADDITION  
LAKES PHASE 1**  
PROJECT NAME

**RCB HANDRAIL DETAILS**  
SHEET TITLE

DFL DESIGN BY:	MKEC DRAWN BY:	GJA CHECKED BY:
JANUARY 2006 DATE	04429 JOB NO.	19 / 32 SHEET/OF

**MKEC**  
ENGINEERING  
CONSULTANTS  
411 N. WEBB ROAD  
WICHITA, KS. 67206  
316 - 684 - 9600