

LOTS	BLOCK	ELEVATION	
		(CITY DATUM)	(NGVD)
1	3	148.6	1336.0
2	3	148.6	1336.0
3	3	148.6	1336.0
4	3	148.6	1336.0
5	3	148.6	1336.0
6	3	148.6	1336.0
7	3	148.6	1336.0
8	3	148.6	1336.0
9	3	148.6	1336.0
10	3	148.6	1336.0
11	3	148.6	1336.0
12	3	148.6	1336.0
13	3	148.6	1336.0
14	3	148.6	1336.0
15	3	148.6	1336.0
16	3	148.6	1336.0
17	3	148.6	1336.0
18	3	148.6	1336.0
19	3	148.6	1336.0
20	3	148.6	1336.0
6	4	138.8	1326.2
7	4	138.8	1326.2
8	4	138.8	1326.2
9	4	138.8	1326.2
10	4	138.8	1326.2
11	4	138.8	1326.2
12	4	138.8	1326.2
13	4	138.8	1326.2
14	4	138.8	1326.2
15	4	138.8	1326.2
16	4	138.8	1326.2
17	4	138.8	1326.2
18	4	138.8	1326.2
19	4	138.8	1326.2
20	4	138.8	1326.2
21	4	138.8	1326.2
22	4	138.8	1326.2
23	4	138.8	1326.2
24	4	138.8	1326.2
25	4	138.8	1326.2
1	5	137.6	1325.0
2	5	137.6	1325.0

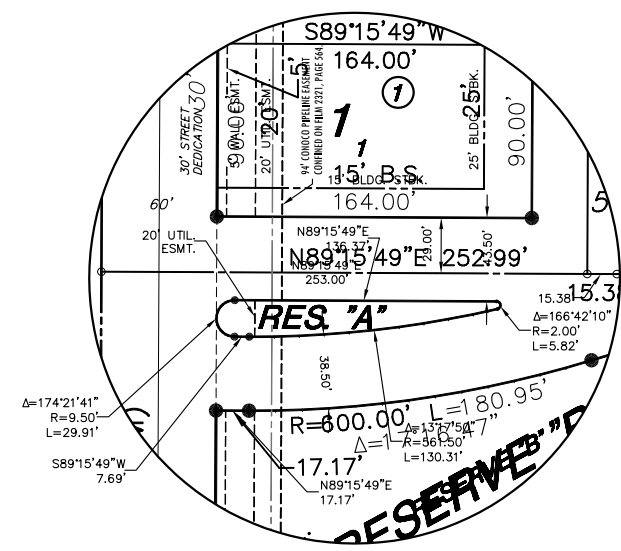
FINAL PLAT

COUNTRY HOLLOW ADDITION

AN ADDITION TO WICHITA, SEDGWICK COUNTY, KANSAS

NW. Cor., NW 1/4, Sec. 26
T27S, R2E, 6TH P.M.
Set 5/8" Rebar w/ MKEC CLS 39 id cap

NE. Cor., NW 1/4, Sec. 26
T27S, R2E, 6TH P.M.
Fnd. 5/8" Rebar w/ o id cap in thimble



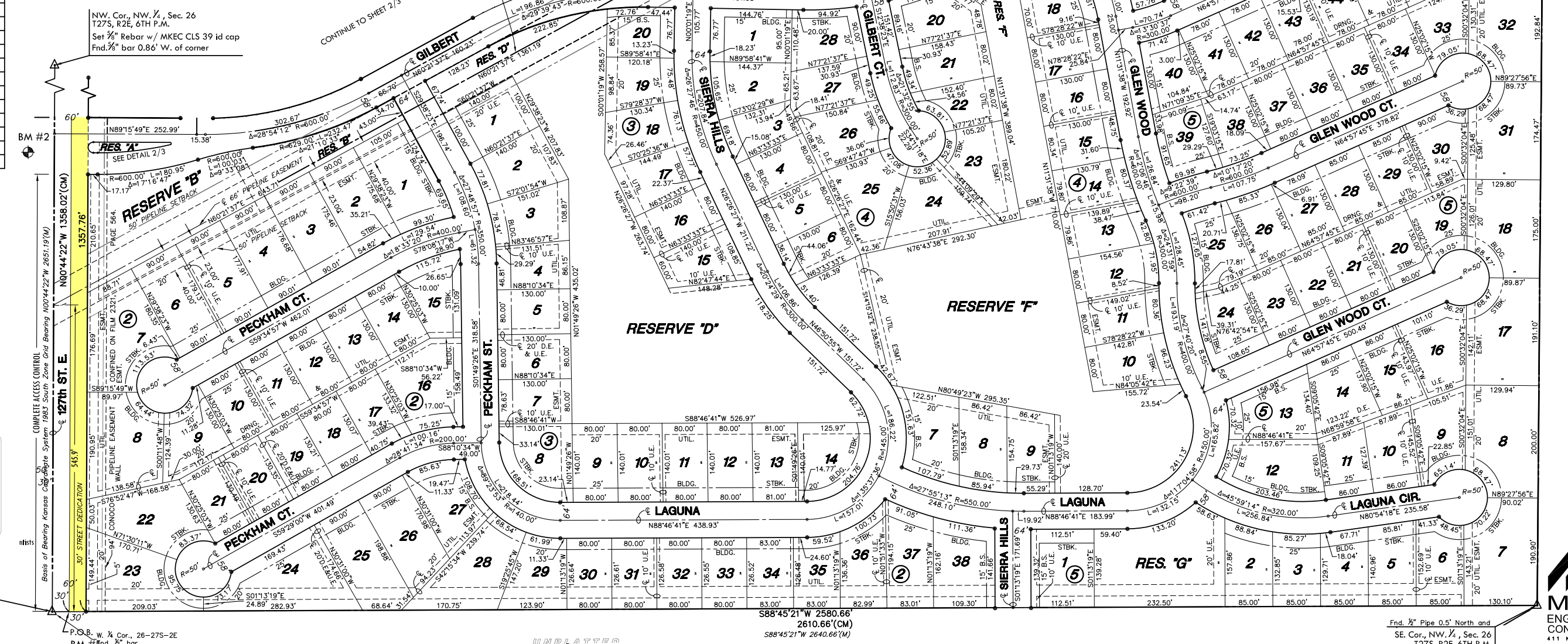
DETAIL RESERVE "A"
1"=50'

LEGEND

- △ = Section Corner Monument Found
- = Found Survey Monument (see annotated caption for type)
- = Set 5/8" Rebar w/ MKEC CLS 39 id. Cap
- (P) = Platted
- (M) = Measured
- (CM) = Calculated from measured
- U.E. & D.E. = Utility Easement and Drainage Easement
- = 25' Building Setback (unless otherwise annotated)
- - - = 20' Utility Easement (unless otherwise annotated)
- = 30' Street Dedication

BENCH MARKS

- BM #1 Railroad spike in South face of power pole, 25' +/- East and 70' +/- South of West Quarter Corner of Sec. 26, T 27 S, R 2 E.
Elev. = 1337.50 (NGVD)
- BM #2 Chiseled square on top of curb at East end of median island on Lincoln on West side of 127th Street East.
Elev. = 1349.55 (NGVD)



NW. Cor., NW 1/4, Sec. 26
T27S, R2E, 6TH P.M.
Set 5/8" Rebar w/ MKEC CLS 39 id cap
Fnd. 5/8" bar 0.86' W. of corner

SW. Cor., NW 1/4, Sec. 26
T27S, R2E, 6TH P.M.
Fnd. 1/2" Rebar w/ o id cap

Fnd. 1/2" Pipe 0.5' North and
SE. Cor., NW 1/4, Sec. 26
T27S, R2E, 6TH P.M.
Fnd. 1/2" Iron Pipe w/o id cap



J:\Civil\04429.dwg\SW\PHASE 1\BIND_044299