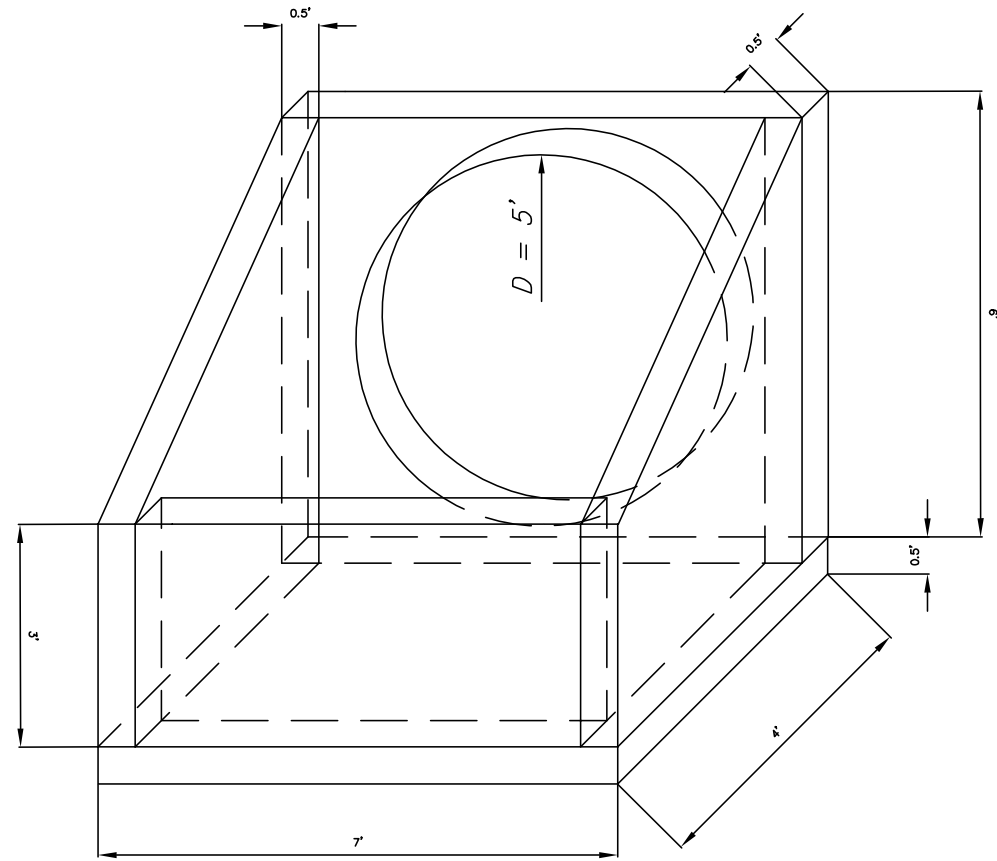
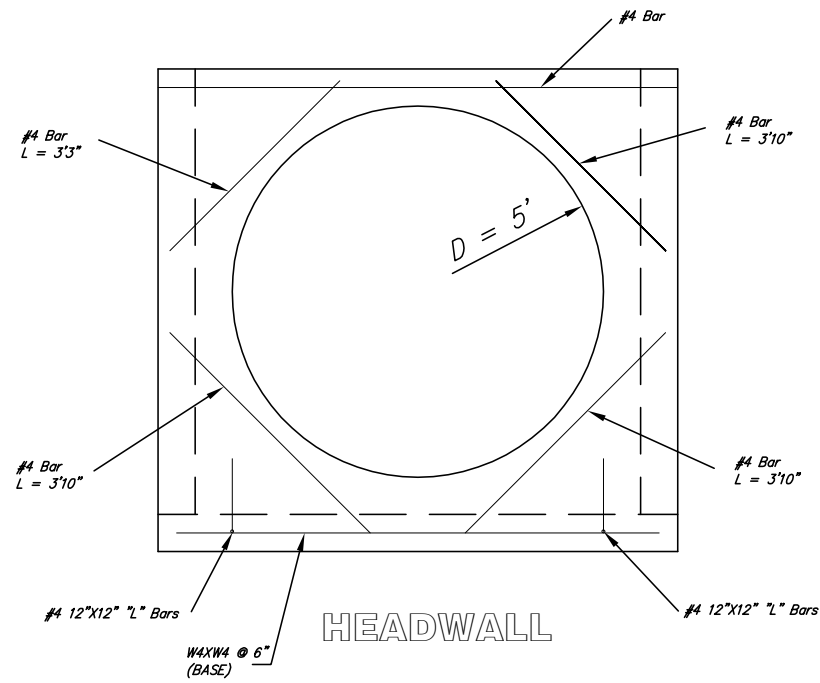
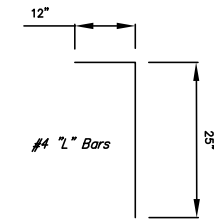
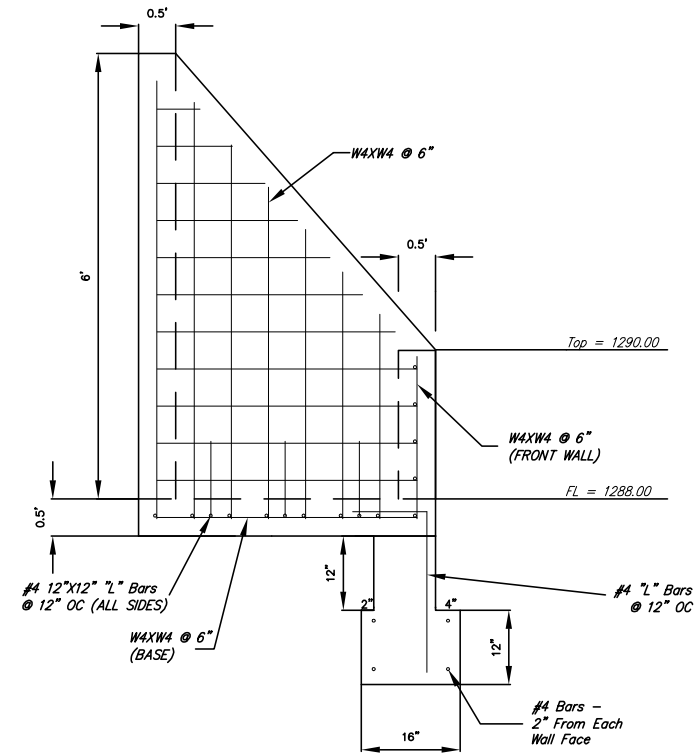


ORTHO VIEW

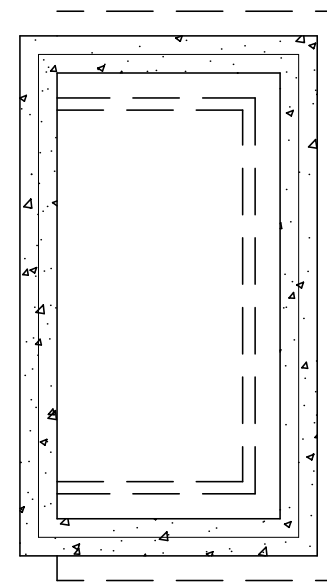


SIDE VIEW

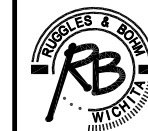


HEADWALL

TOP VIEW



Whispering Lakes Addition
Soil Saver
WICHITA, KANSAS



Ruggles & Bohm, P.A.
Engineering, Surveying, Land Planning

924 North Main
Wichita, Kansas 67203
www.rbkansas.com

(316) 284-8008
(316) 284-4621 fax
E-mail: info@rbkansas.com

DRAWING FILE
SWS Plans {RCB Details}

PROJECT NUMBER
468-84143

DATE
Feb. 1, 2006

DESIGN E.JG
DRAWN RLS
REVIEW
UTILITY
SHEET
22
OF
27