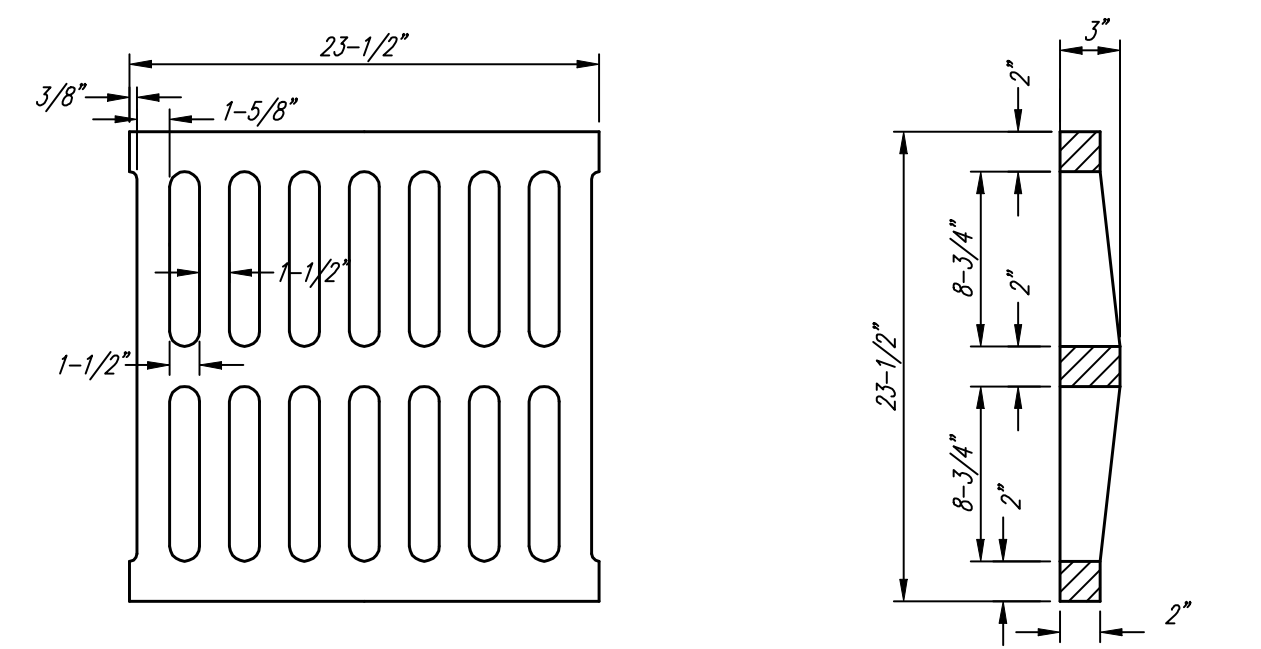
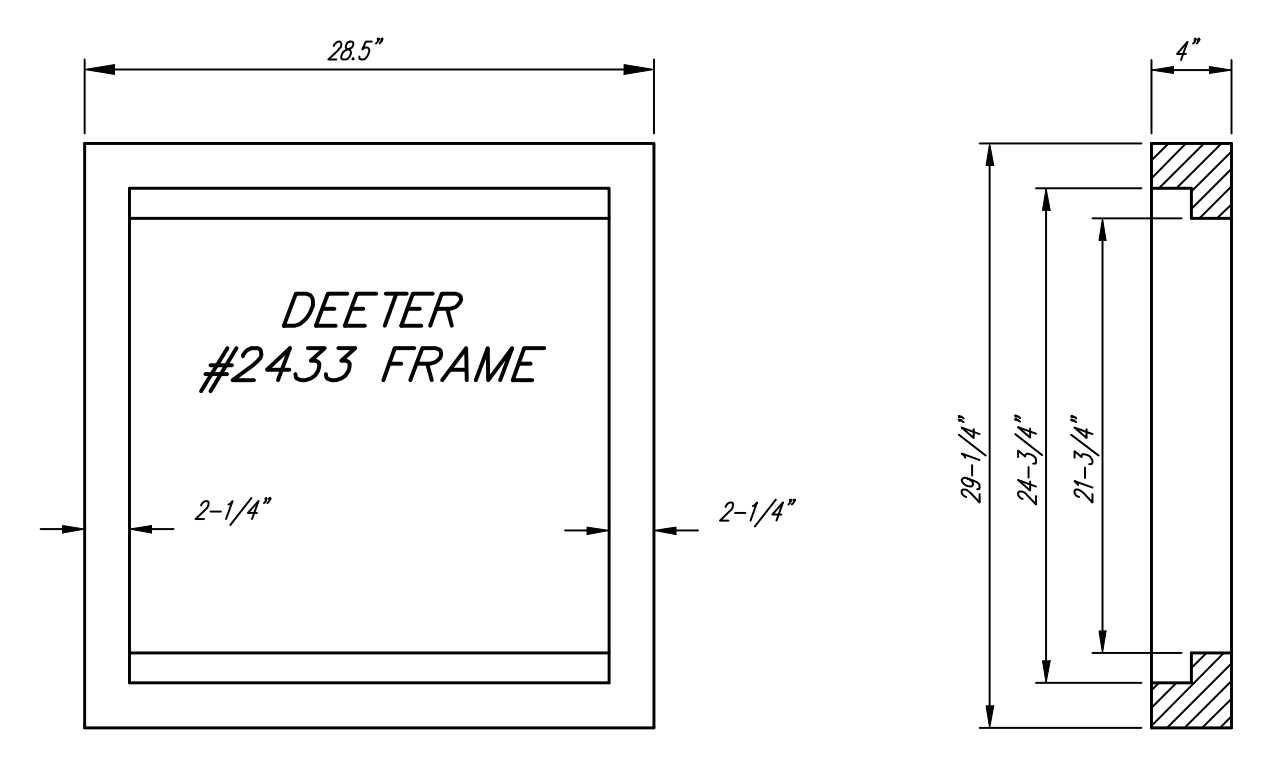


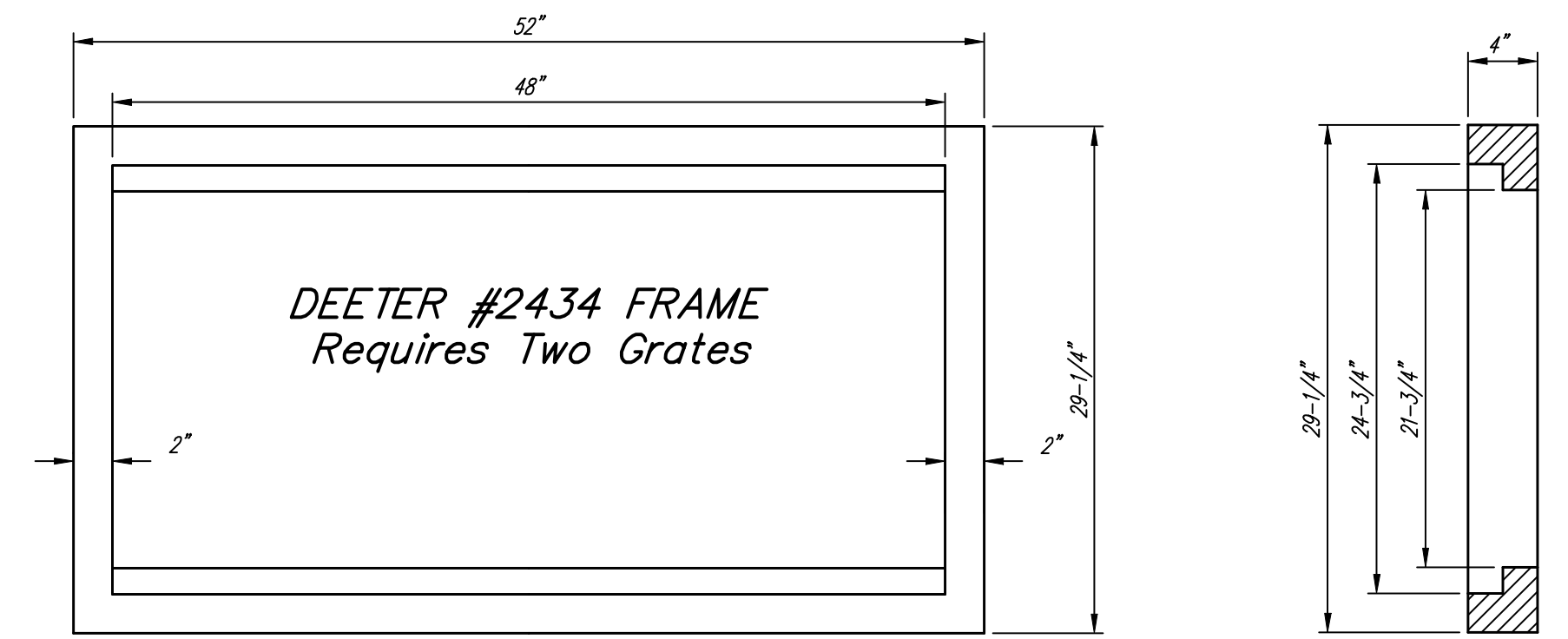
Note: Concrete apron shall be constructed around the inlet when inlet is located in an unpaved area. Where the inlet is adjacent to pavement, the pavement thickness shall be tapered to the inlet in 18 inches as indicated on the detail.



DEETER #2433 GRATE

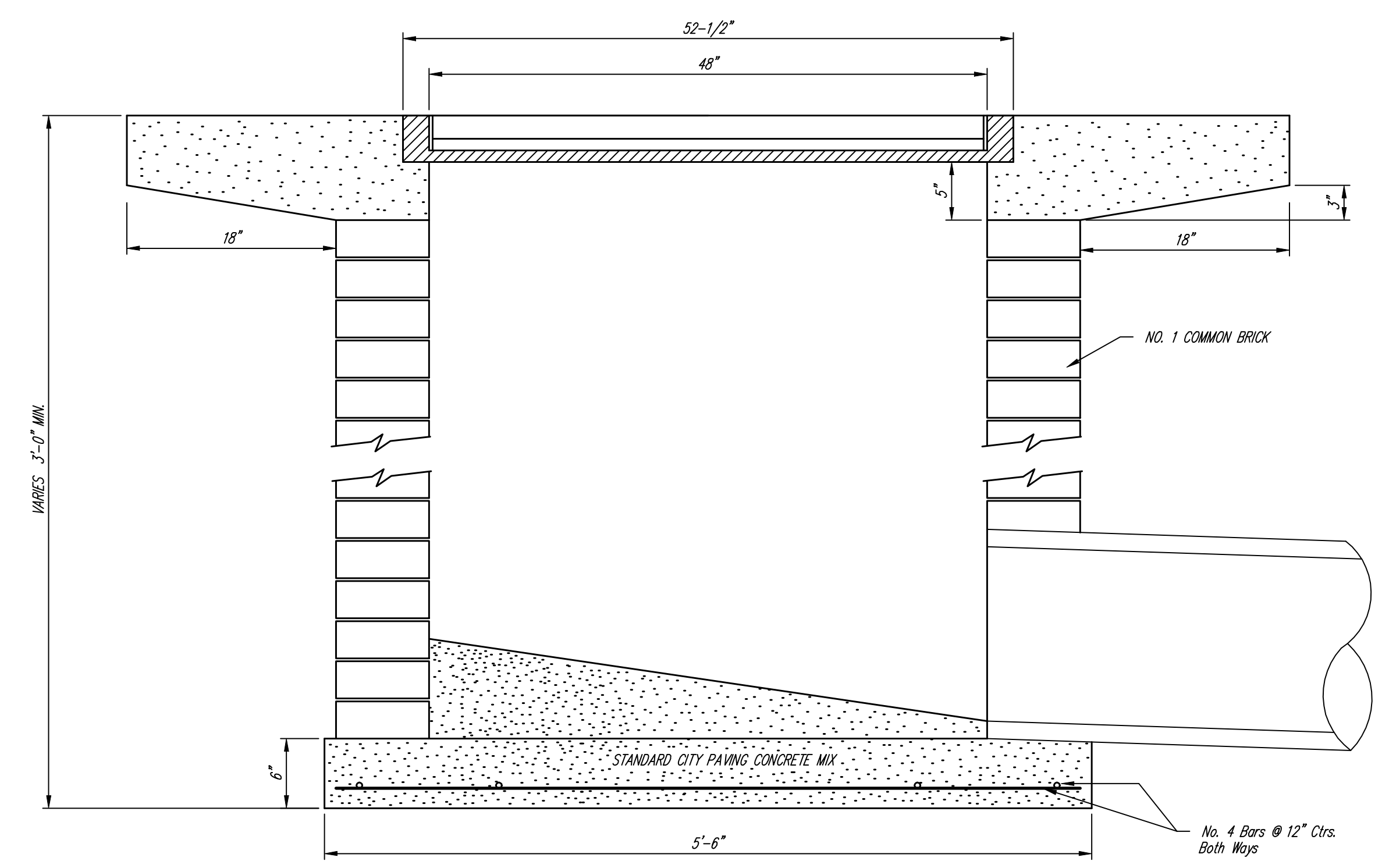
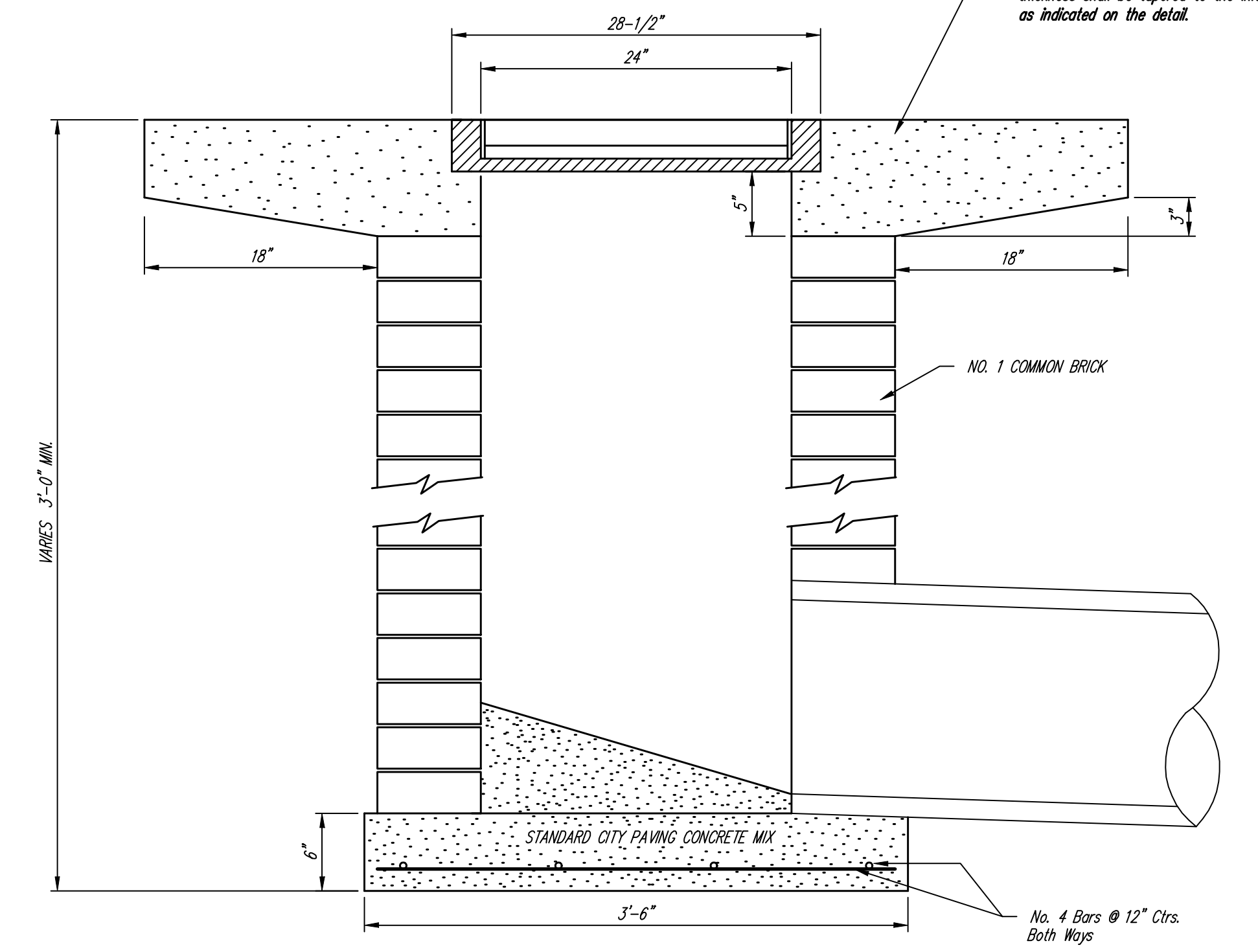
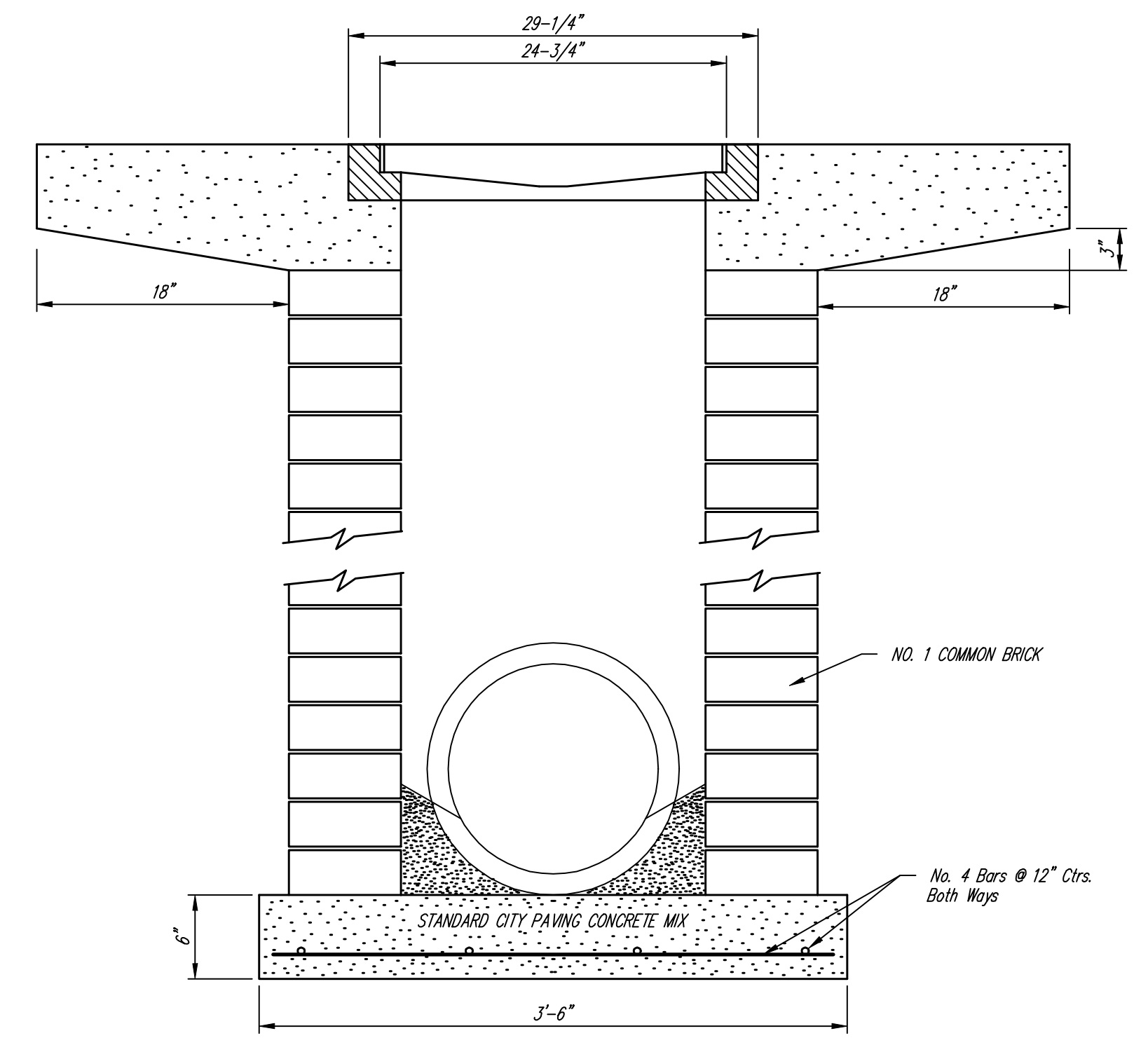
24" x 24" Frame and Grate Detail

NOTE: Grates shall be imprinted on the top surface with "CITY OF WICHITA" using letters at least 1" in height. Other marking methods may be approved by the engineer.



DEETER #2434 FRAME
Requires Two Grates

Double 24" x 24" Frame Detail



| | | |
|--|--------------------------|-----------------|
| | City of Wichita Standard | |
| | Drop Inlet Detail | |
| Baughman Company, P.A. 315 Ellis St. Wichita, KS 67211 P 316262-7271 F 316262-0149 | | |
| ENGINEERING SURVEYING PLANNING LANDSCAPE ARCHITECTURE | | |
| PROJECT NUMBER 472-83881 | DESIGN C.O.W. | DRAWN Staff |
| APPROVED | DATE 4/19/06 | |
| REVISIONS: | SCALE None | SHEET |
| | | 36 OF 53 |
| F:\Eng\Details\Sewers\DROPINT2.dwg | | |