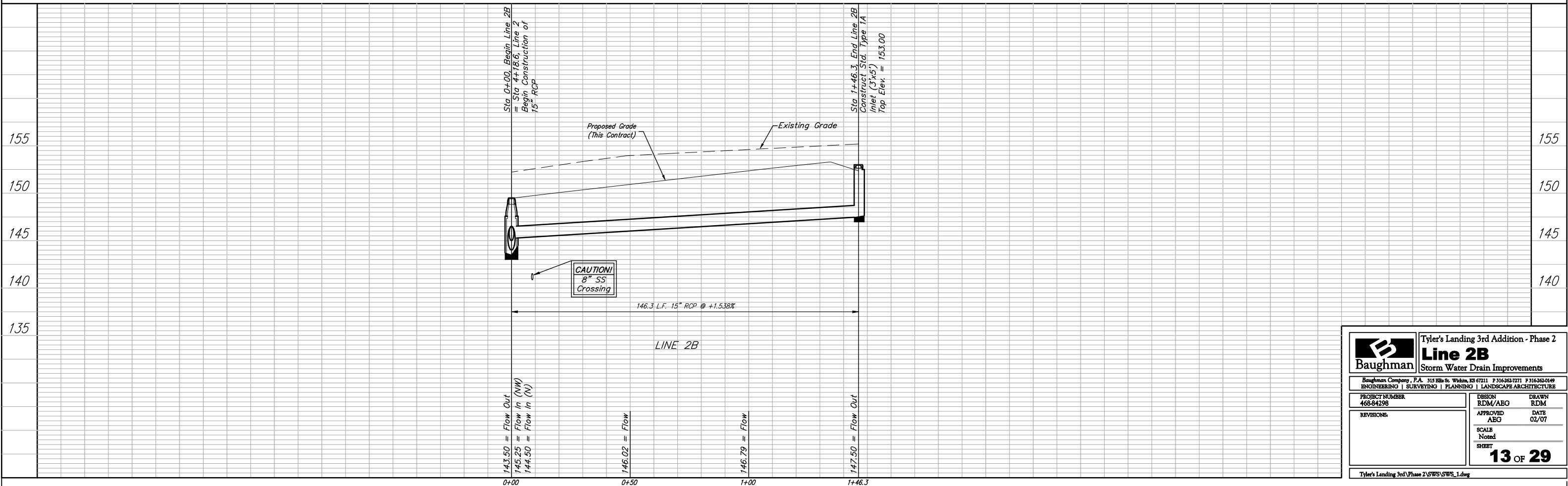
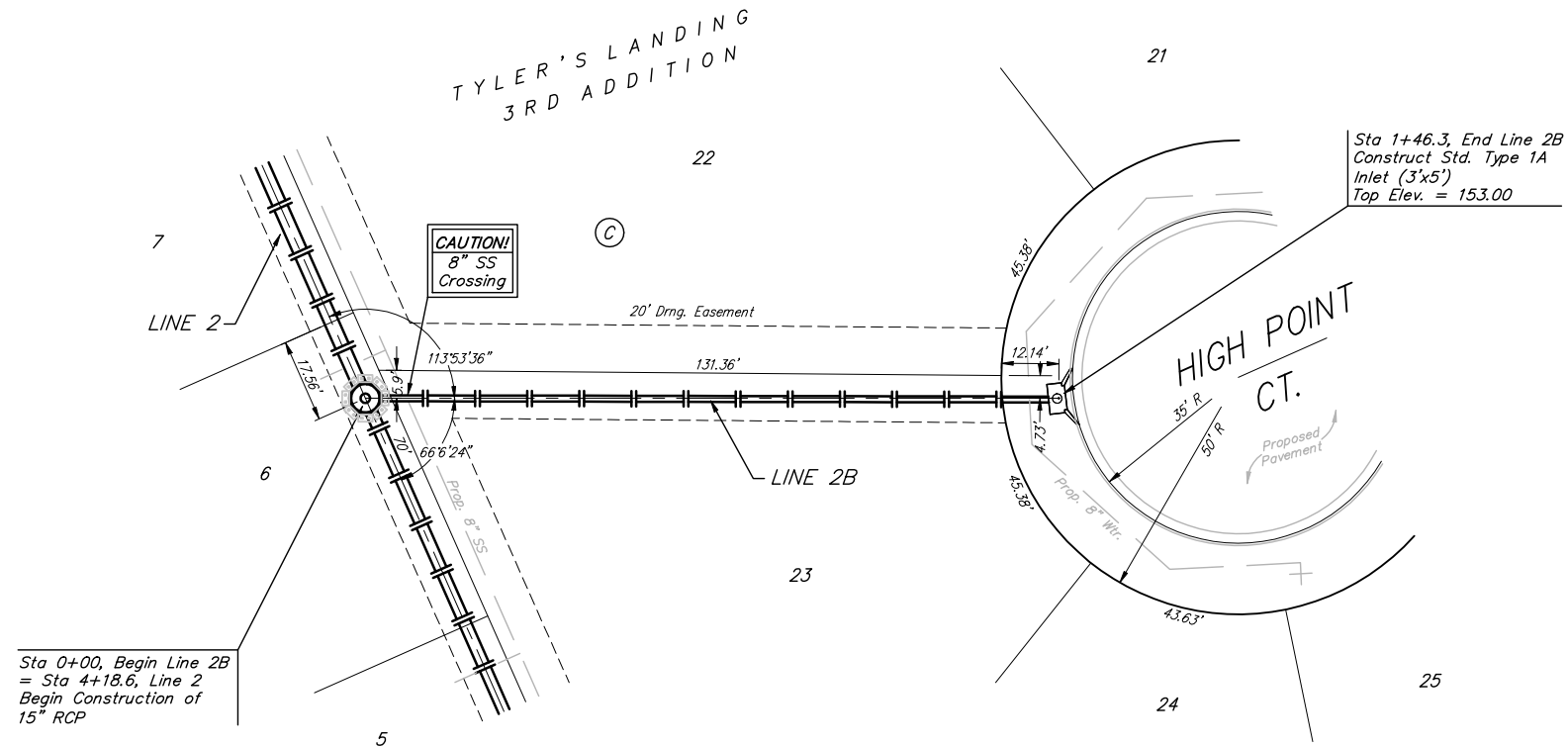


Benchmarks:
 BM #1: "□" Cut in Middle of Curb
 Inlet Top, North Curb of Conrey,
 Adjacent to SW Corner of Lot 14,
 Block A, Tyler's Landing 3rd Addition.
 Elev. = 150.29 (1337.69 M.S.L.)

BM #2: "□" Cut in Top of East Curb
 of High Point, 10' South of End of
 Return. Adjacent to Lot 1, Block D,
 Tyler's Landing Addition.
 Elev. = 155.28 (1342.68 M.S.L.)



		Tyler's Landing 3rd Addition - Phase 2	
		Line 2B	
Storm Water Drain Improvements		ENGINEERING SURVEYING PLANNING LANDSCAPE ARCHITECTURE	
PROJECT NUMBER 468-84298		DESIGN RDM/ABG	DRAWN RDM
REVISIONS		APPROVED ABG	DATE 02/07
		SCALE Noted	SHEET
		13 OF 29	
Tyler's Landing 3rd Phase 2/SWS/SWS_1.dwg			