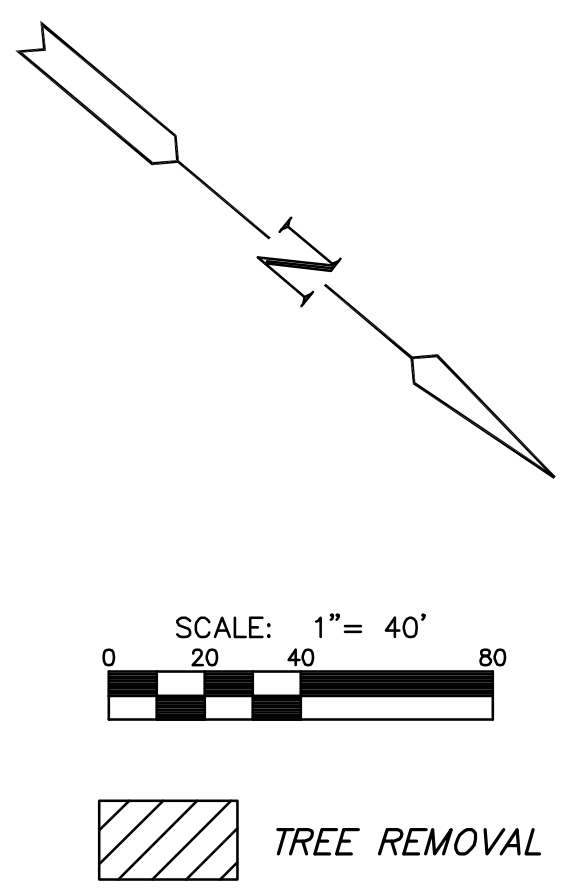
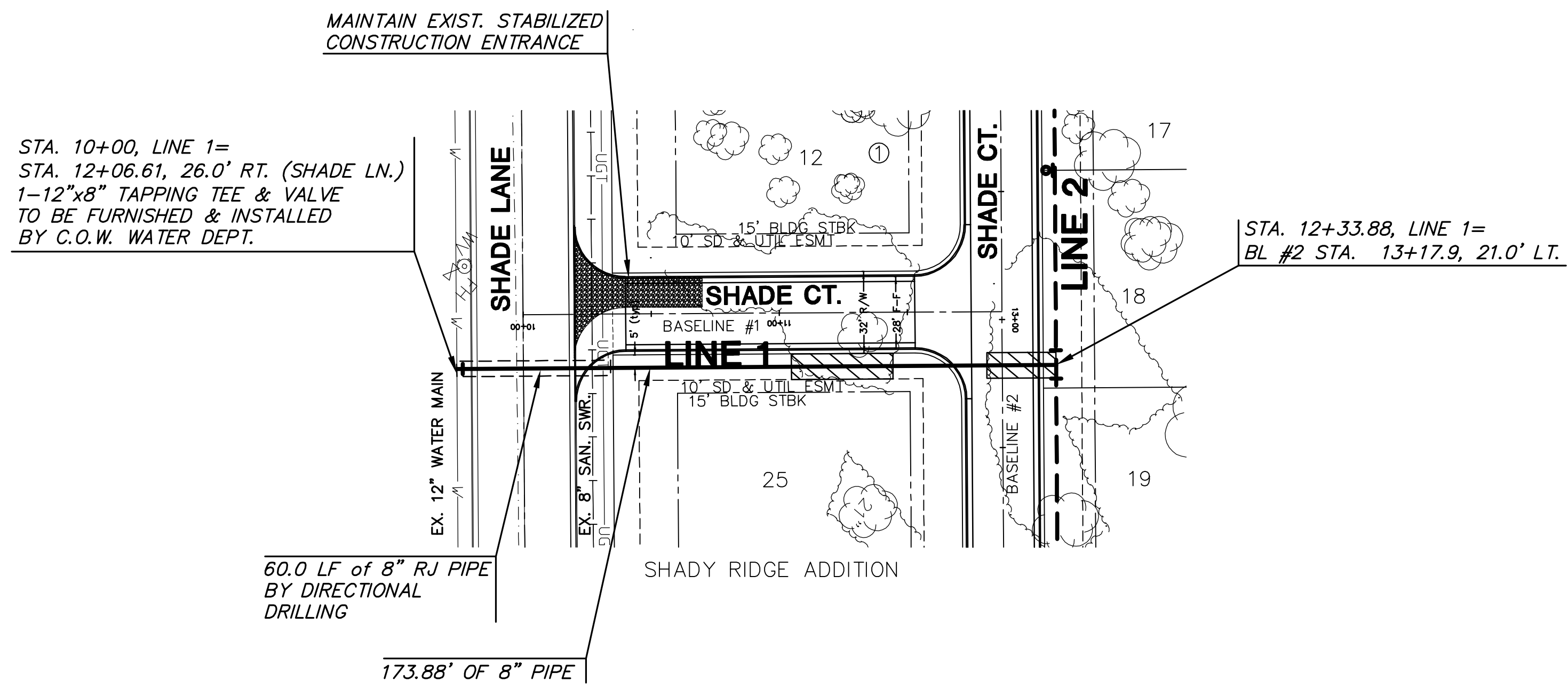


WATER DISTRIBUTION SYSTEM PLANS FOR
SHADY RIDGE ADDITION
PHASE 2

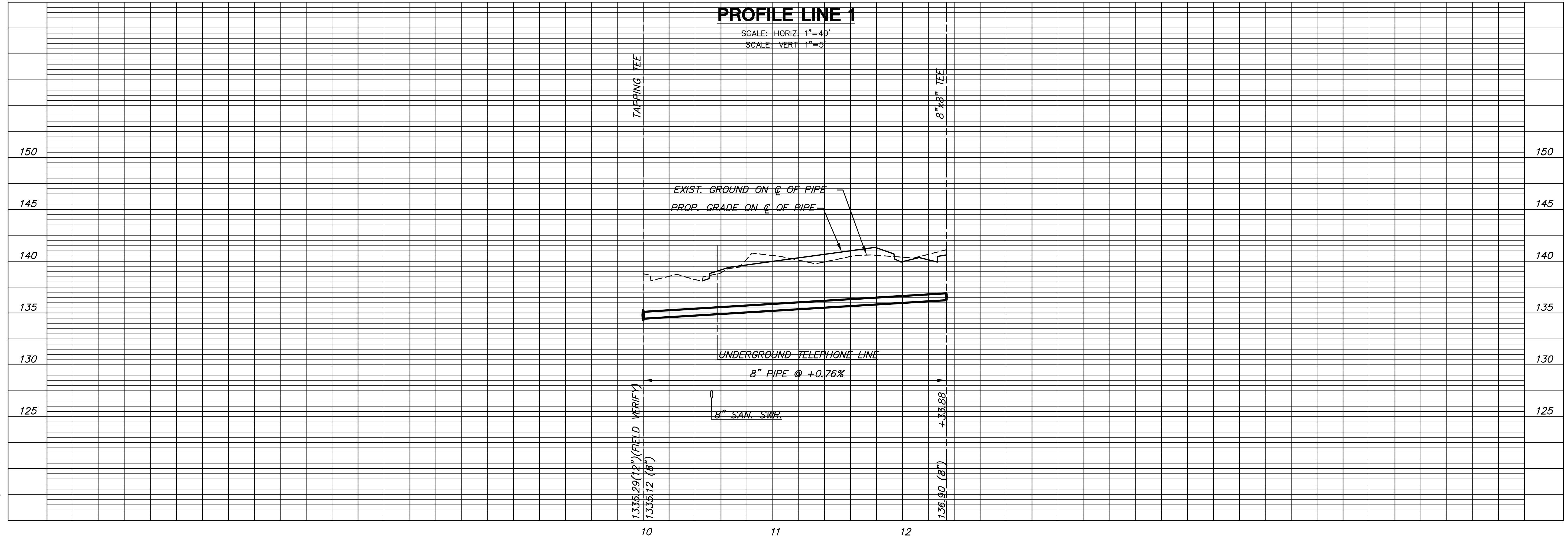
NOTE:
CONTRACTOR TO VERIFY
LOCATION AND ELEVATION OF
EXISTING UTILITIES PRIOR TO
CONSTRUCTION.



PLAN LINE 1

PROFILE LINE 1

SCALE: HORIZ. 1"=40'
SCALE: VERT. 1"=5'



PLOTTED: Wednesday, October 31, 2007 @ 10:11 AM

G:\CIVIL\04071\DWG\WTR\PHASE 2\04071_C1.DWG

LINE 1
SHEET TITLE
04071
PROJECT NUMBER

DESIGN BY: SRS
DRAWN BY: SMB
CHECKED BY: DFL

ISSUED: October 2007
REVISED:

SHEET NO.
3 of 11