

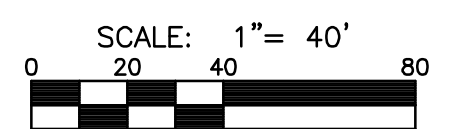
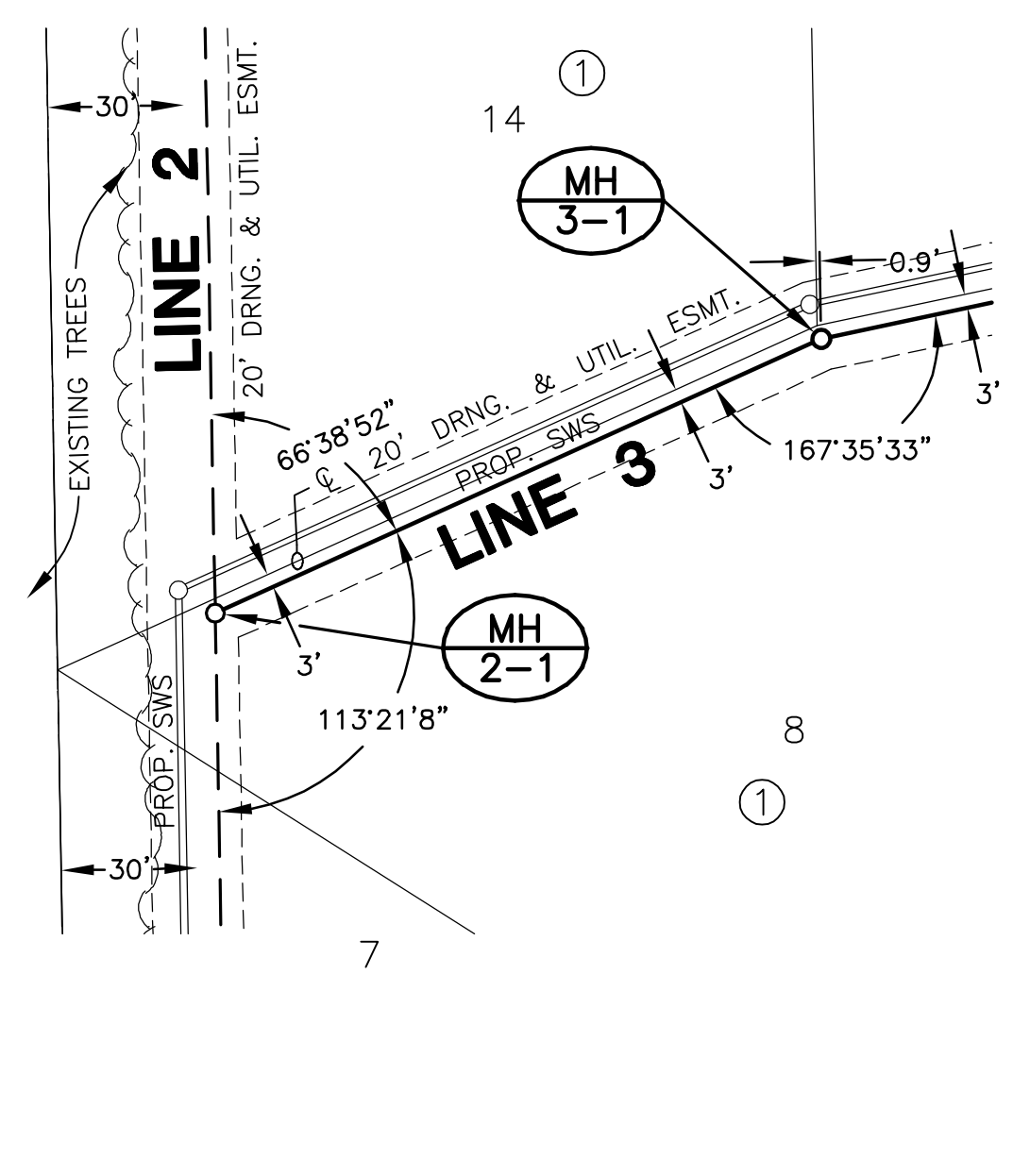
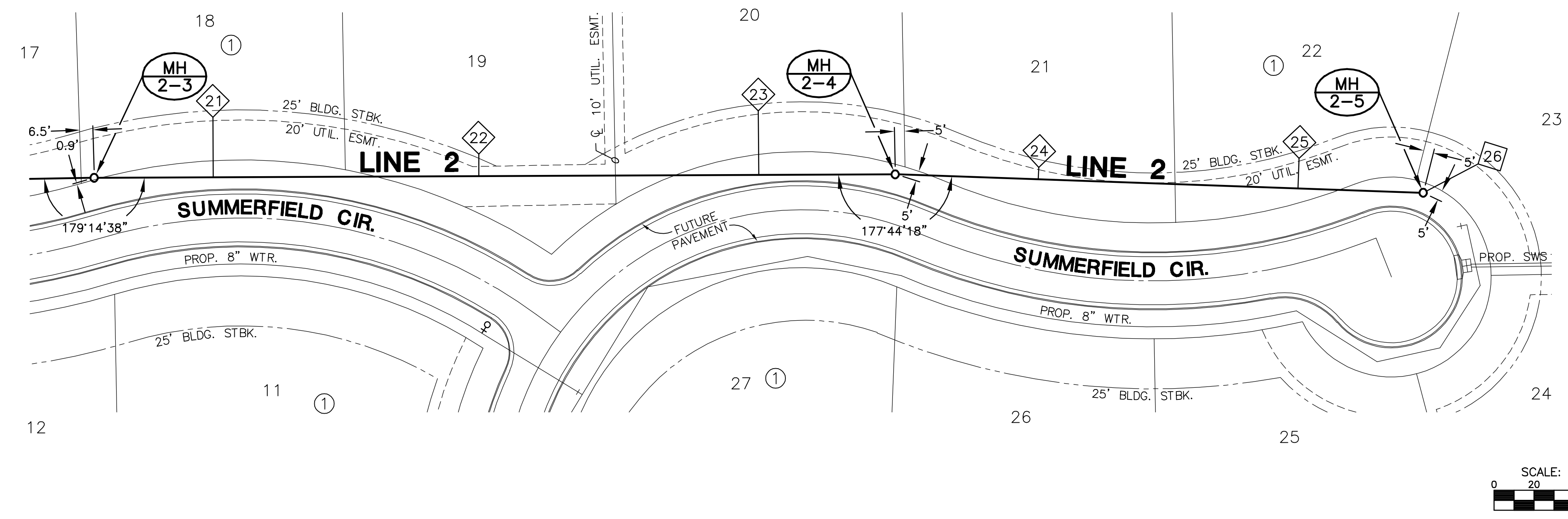
**SANITARY SEWER PLANS FOR  
THE WATERFRONT RESIDENTIAL ADD.**

**LINES 2 & 3**  
SHEET TITLE  
468-84422  
PROJECT NUMBER

DFL  
DESIGN BY  
DMU  
DRAWN BY  
GJA  
CHECKED BY

ISSUED  
October 2007  
REVISED

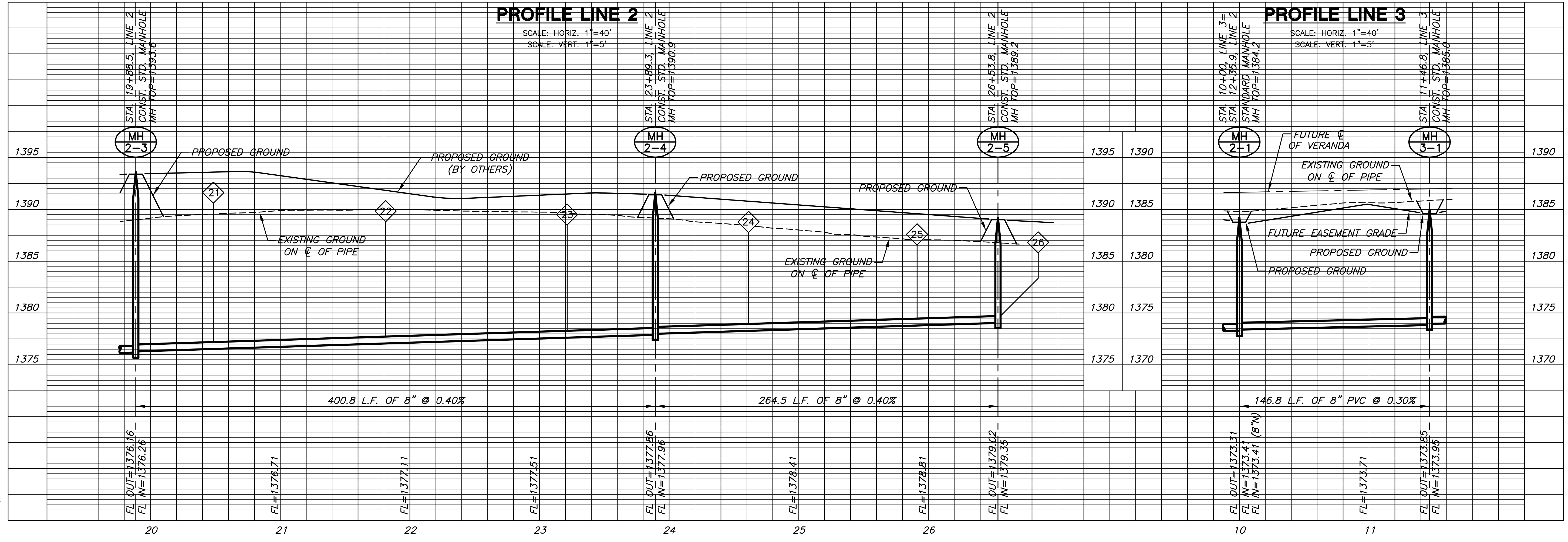
SHEET NO.  
**9 of 20**



**NOTE:**  
TRENCHES TO BE BACKFILLED WITH SAND AND FLUSHED  
WHEN SEWER LINE RUNS ALONG FRONT OF LOTS.  
(LINE 2, STA. 19+88.5 TO STA. 26+53.8)

**PLAN LINE 2**

**PLAN LINE 3**



PLOTED: Tuesday, October 30, 2007 @ 04:46PM

J:\CIVIL\06266\DWG\SAN\RESIDENTIAL\06266\_B5.DWG