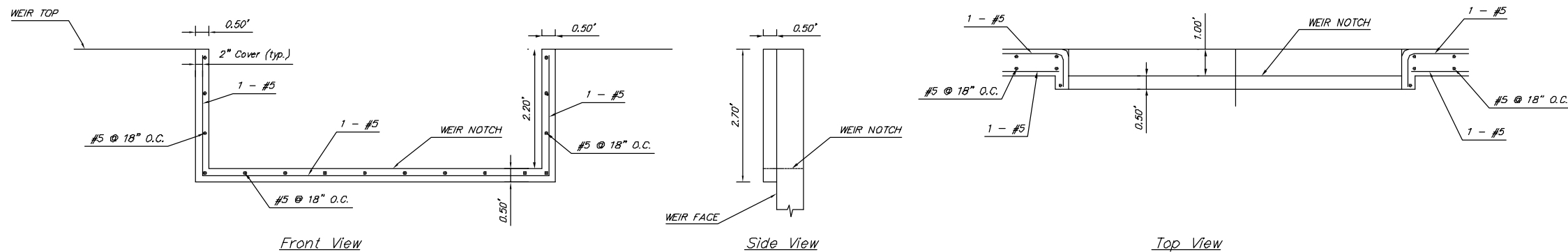
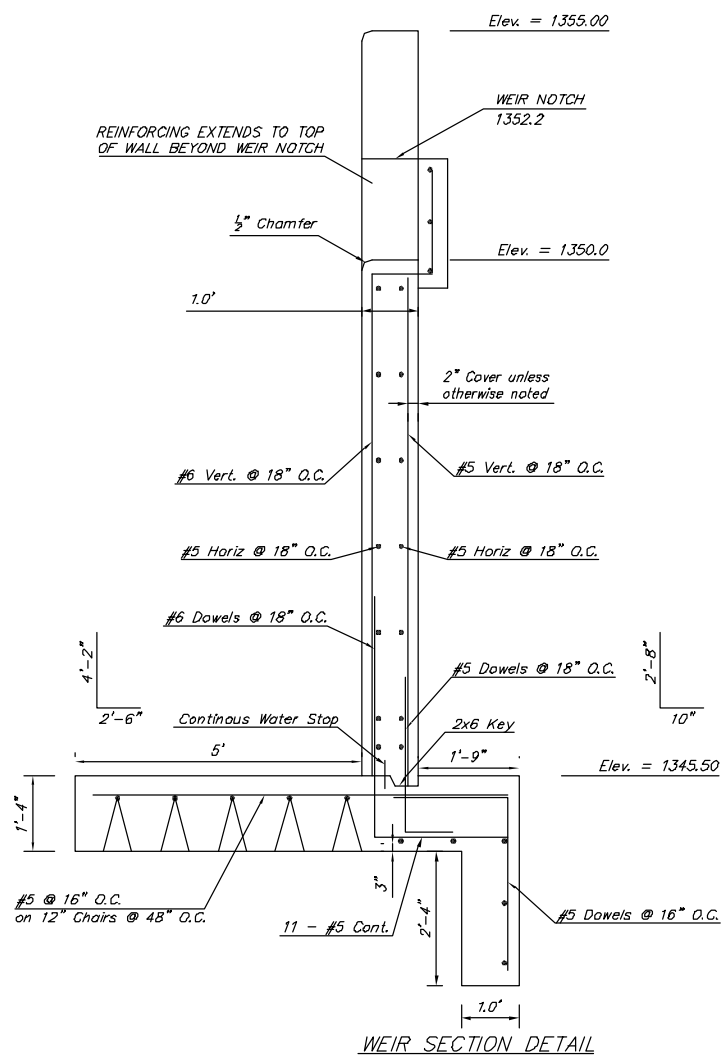


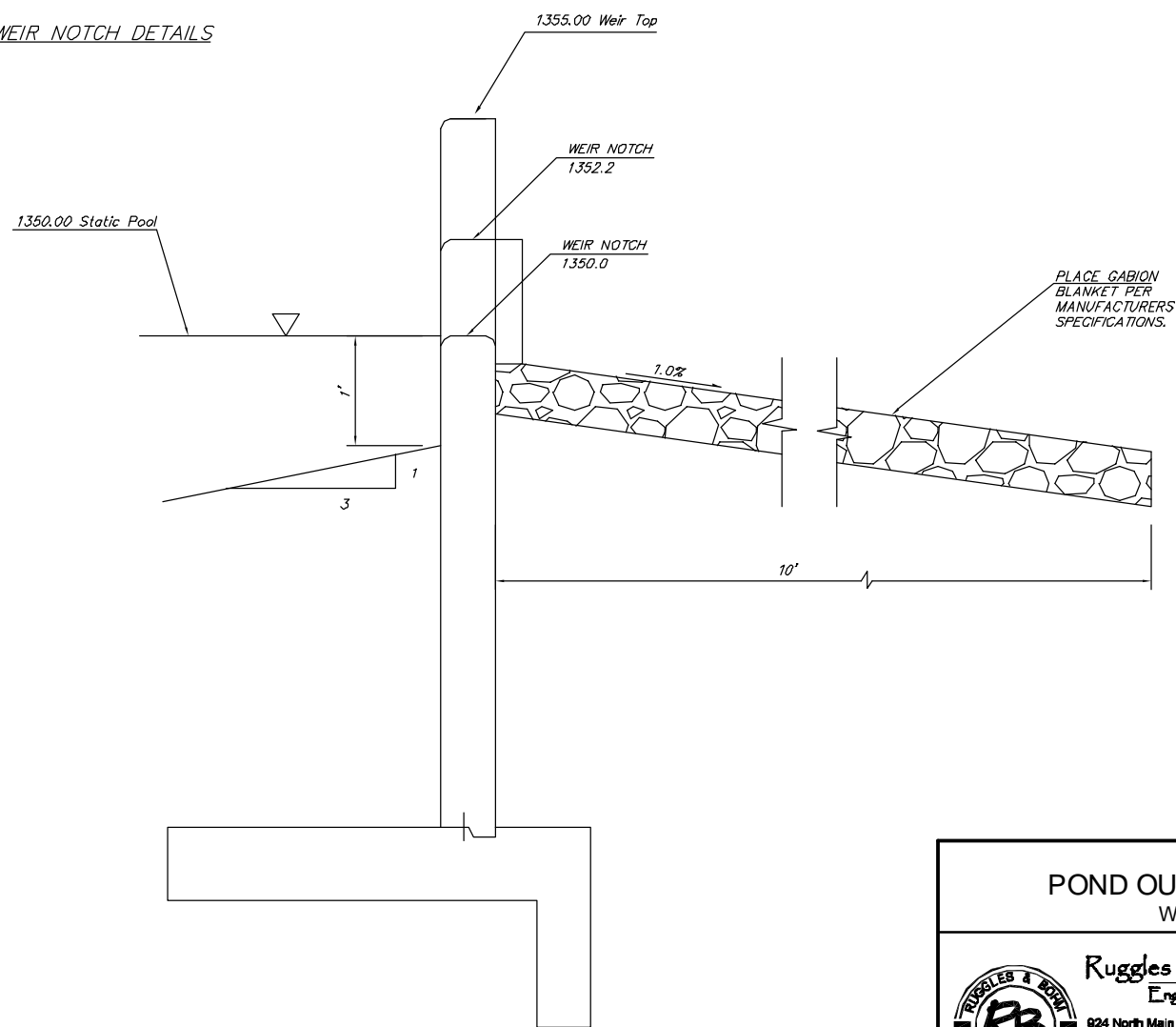
SECTION GRADING DETAIL



WEIR NOTCH DETAILS



WEIR SECTION DETAIL



SECTION GRADING DETAIL

CRESTLAKE  
POND OUTLET WEIR DETAILS  
WICHITA, KANSAS

	<b>Ruggles &amp; Bohm, P.A.</b> Engineering, Surveying, Land Planning		DESIGN AML DRAWN MLP REVIEW MLP UTILITY	SHEET <b>5</b> OF <b>20</b>
	924 North Main Wichita, Kansas 67203 www.rbkansas.com	(316) 264-8008 (316) 264-4621 fax E-mail: info@rbkansas.com	PROJECT NUMBER 468-84183	DATE July 13, 2006

DRAWING FILE: Details {weir wall}      PROJECT NUMBER: 468-84183