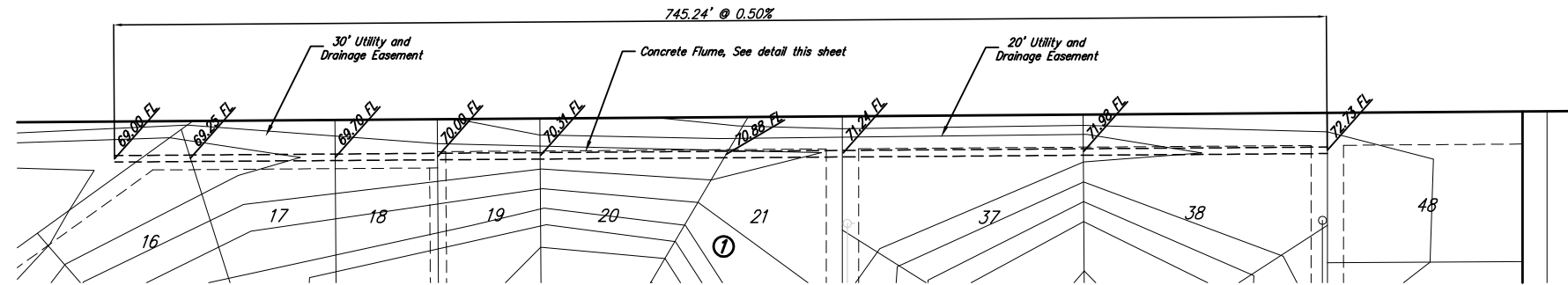
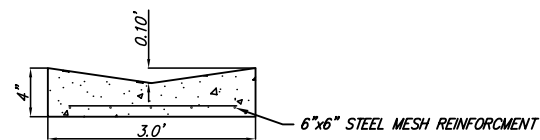


# THE PINES ADDITION



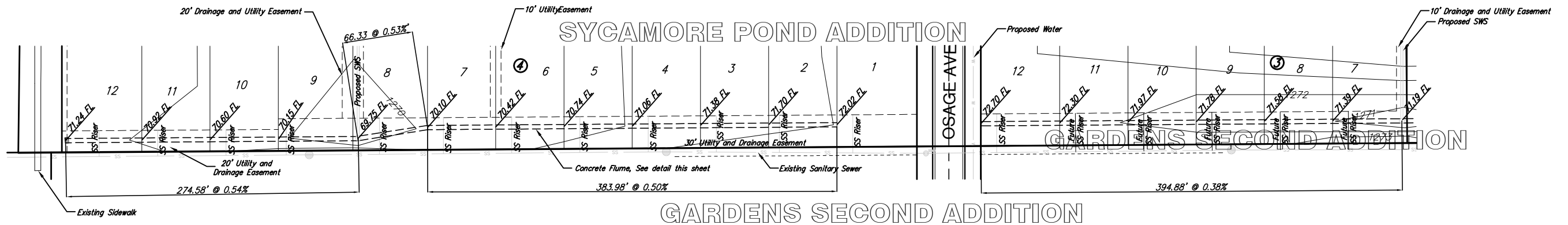
# SYCAMORE POND ADDITION



**Concrete Flume**  
 Note: Construction Joints spaced @ 50'  
 (construction joints may be sawn joints)  
 Expansion Joints Spaced at 150'



SCALE 1" = 50'



# GARDENS SECOND ADDITION

Sycamore Pond Addition  
 Pond Plans Detail Sheet  
 WICHITA, KANSAS



**Ruggles & Bohm, P.A.**  
 Engineering, Surveying, Land Planning  
 924 North Main  
 Wichita, Kansas 67203  
 www.rbkansas.com  
 (316) 264-8008  
 (316) 264-4621 fax  
 E-mail: info@rbkansas.com

DESIGN EJG	PROJECT NUMBER 468-84193	DATE June 26, 2006
DRAWN RLS		SHEET 7 OF 21
REVIEW		
UTILITY		

DRAWING FILE  
 paving [Sycamore Pond]