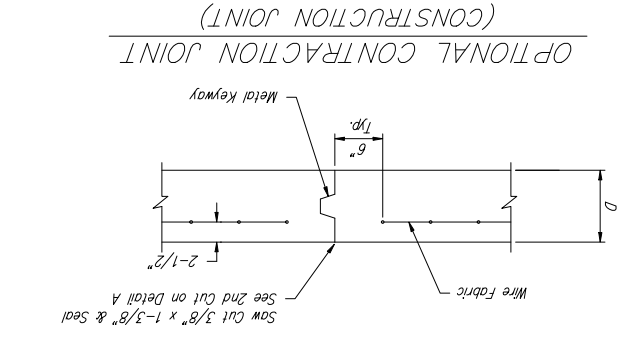
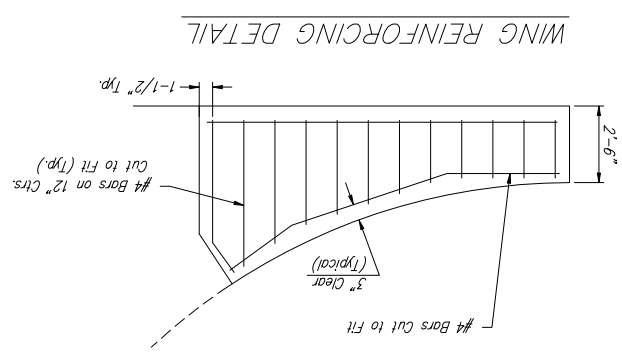
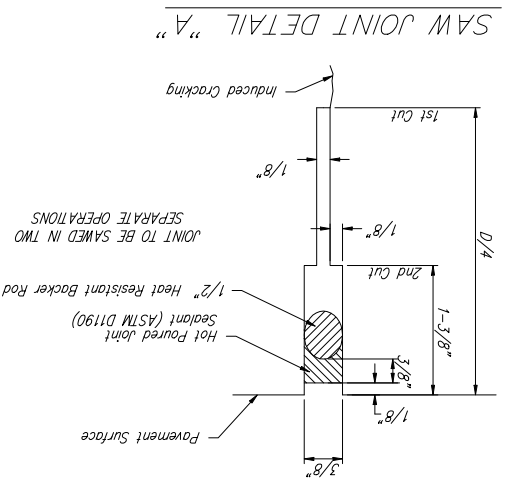
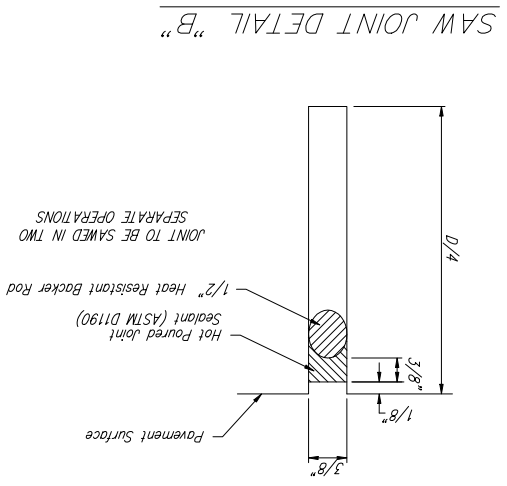
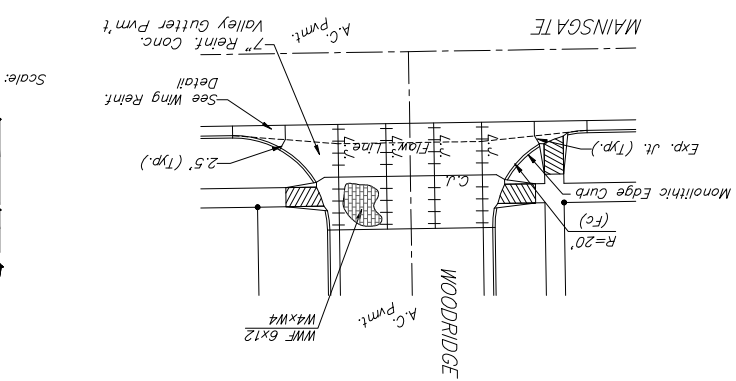
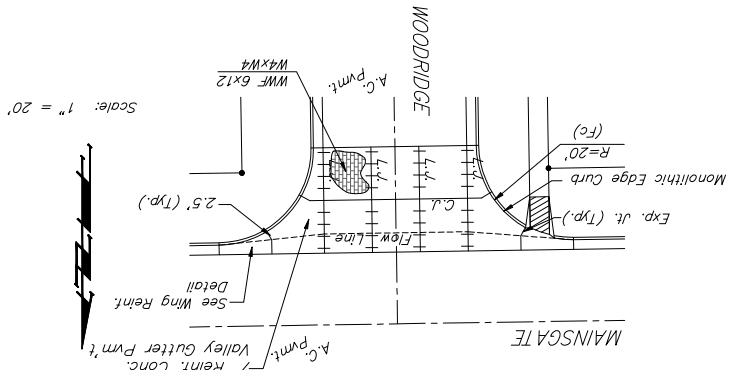


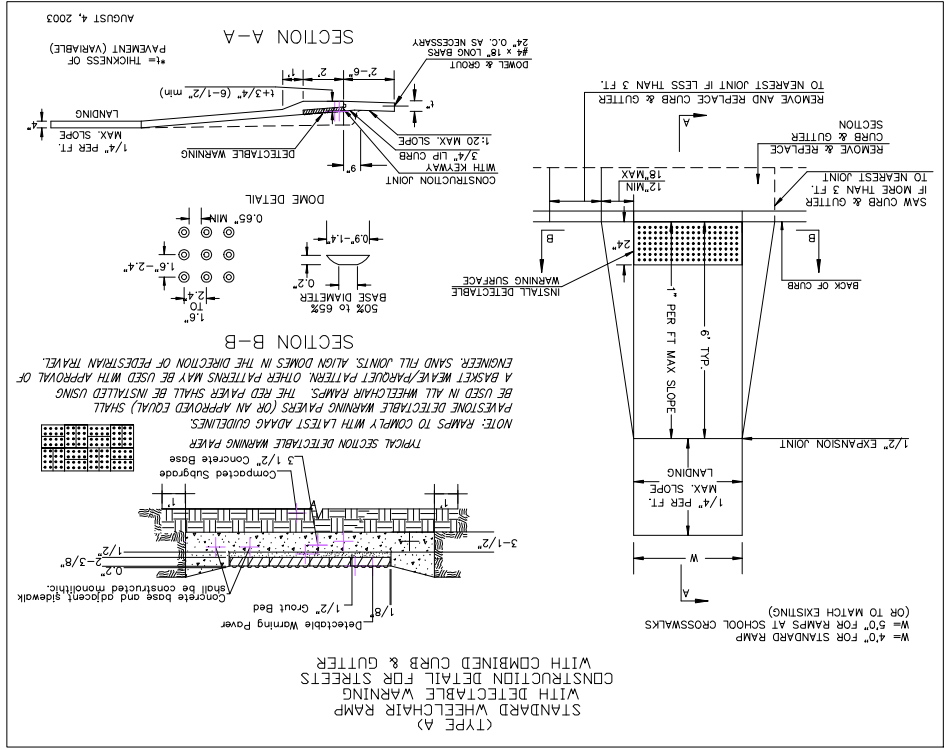
5 OF 32	
SHEET	
SCALE NONE	
REVISIONS:	
DESIGN	DATE
STAFF	APPROVED
47284246	08/06
PROJECT NUMBER	
47284246	
DRAWN	
STAFF	
47284246	
DESIGN	
STAFF	
47284246	
REVISIONS	
DATE	
APPROVED	
08/06	
SCALE	
NONE	
SHEET	
5 OF 32	

Baughman
VALLEY GUTTER DETAILS

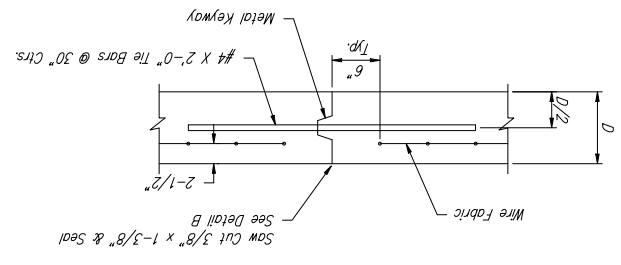
NOTE: 6" X 12" W4XW4 Wire Fabric Reinforcing Shall Be Placed So That The Wires Parallel With The Longitudinal Joints.
 JOINTS:



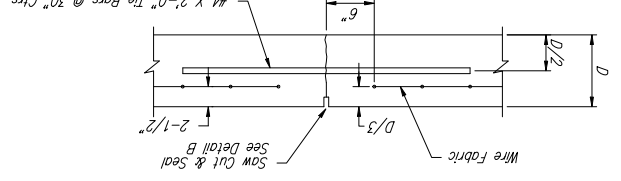
WHEELCHAIR RAMP DETAIL



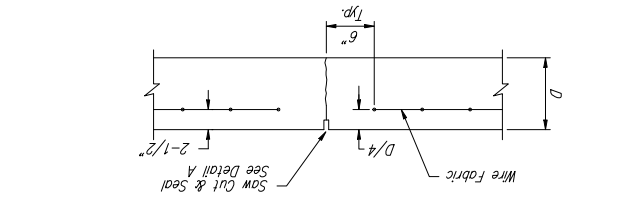
OPTIONAL LONGITUDINAL JOINT DETAIL (L.J.) (CONSTRUCTION JOINT)



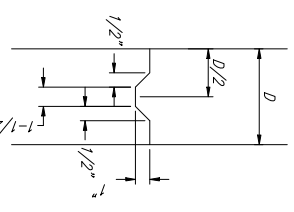
LONGITUDINAL JOINT DETAIL (L.J.)



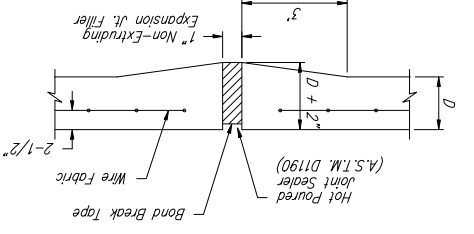
CONTRACTION JOINT DETAIL (C.J.)



KEYWAY DETAIL



EXPANSION JOINT



NOTE: Extra Thickness to be Substituted to Price of Square Yards Pavement