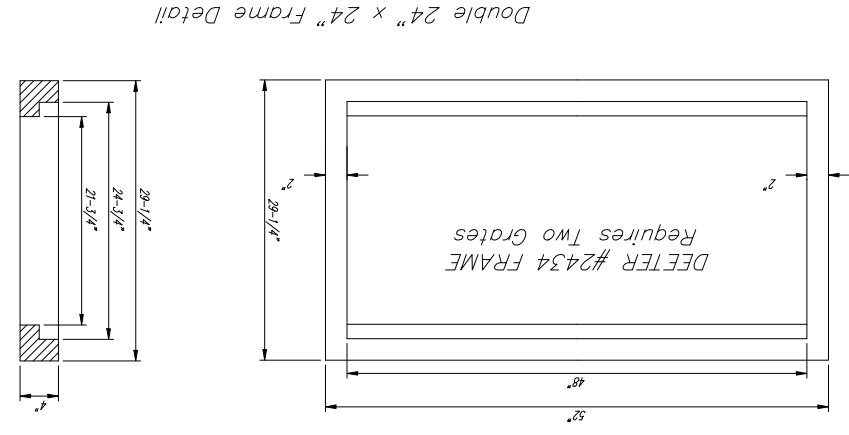
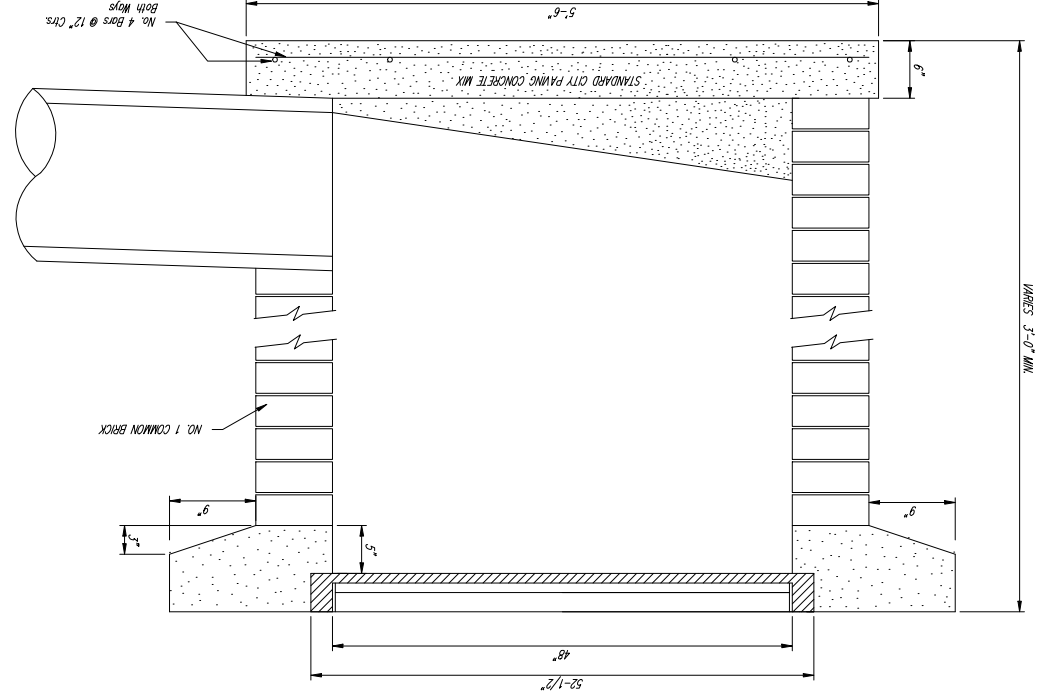
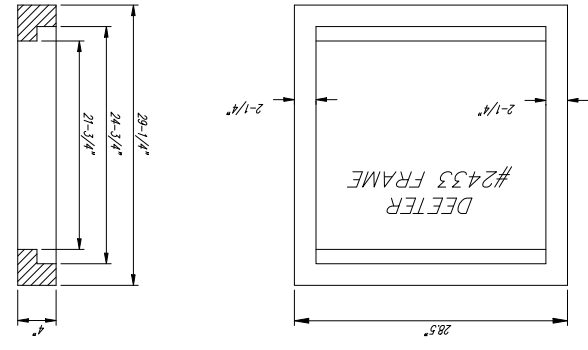
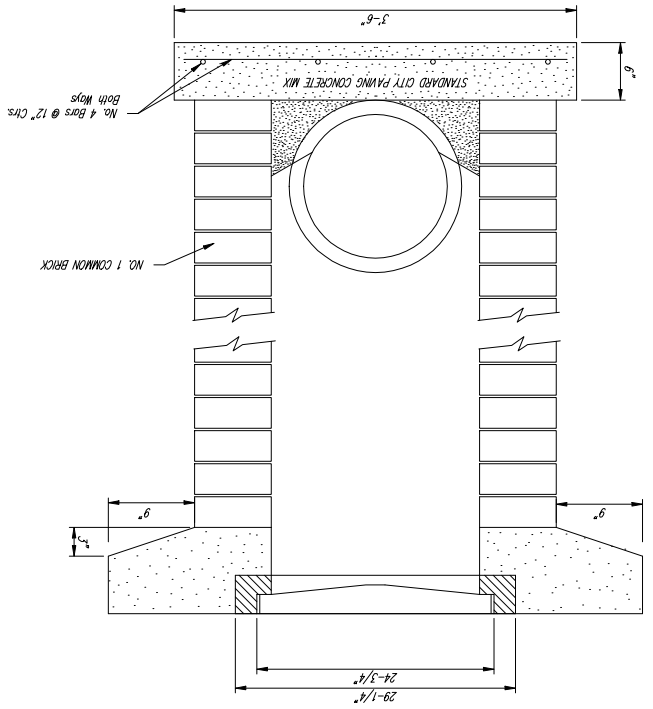
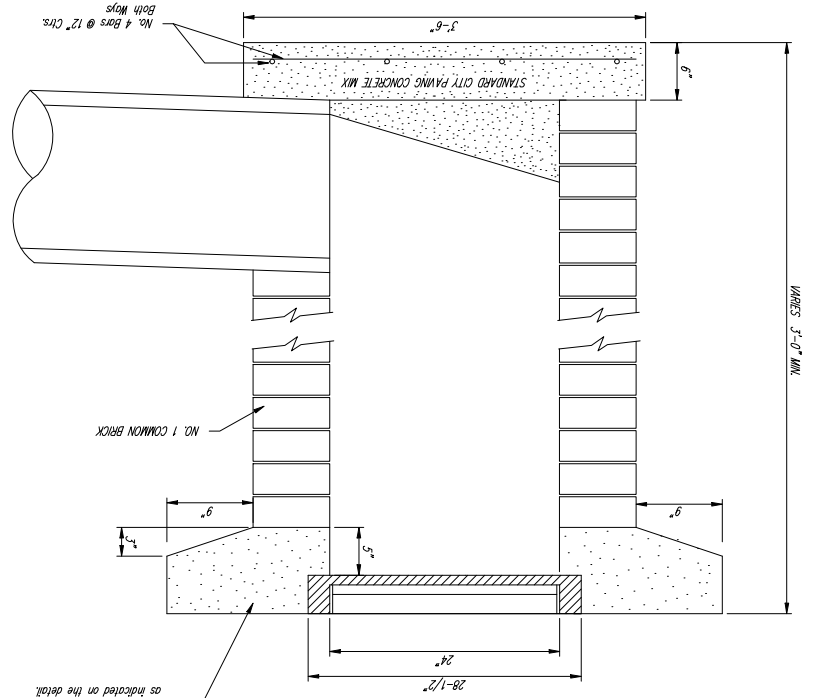
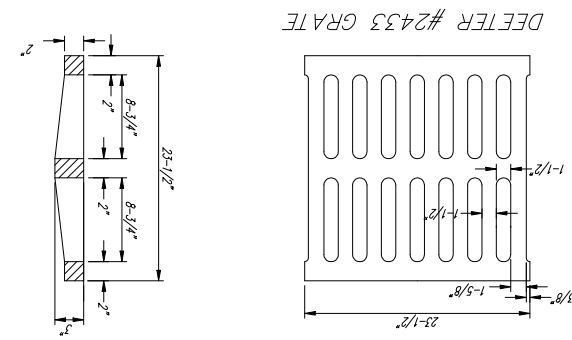


Drop Inlet
 City of Wichita Standard
Baughman
 Baughman Company, P.A. 315 E. St. Wichita, KS 67211 316-262-0198
 ENGINEERING | SURVEYING | PLANNING | LANDSCAPE ARCHITECTURE
 PROJECT NUMBER: 47284246
 REVISIONS:
 SCALE: NONE
 DATE: 08/06
 APPROVED: STAFF
 SHEET: 19 OF 32
 DropInlet



24" x 24" Frame and Grate Detail

NOTE: Grates shall be imprinted on the top surface with "CITY OF WICHITA" using letters at least 1" in height. Other marking methods may be approved by the engineer.



Note: Concrete apron shall be constructed around the inlet when inlet is located in an improved area. Where the inlet is adjacent to pavement, the pavement thickness shall be ignored in the inlet in 3 inches as indicated on the detail.