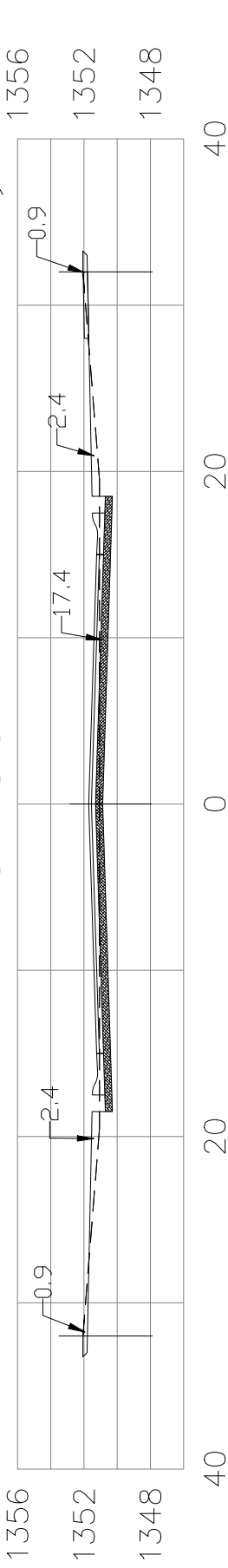


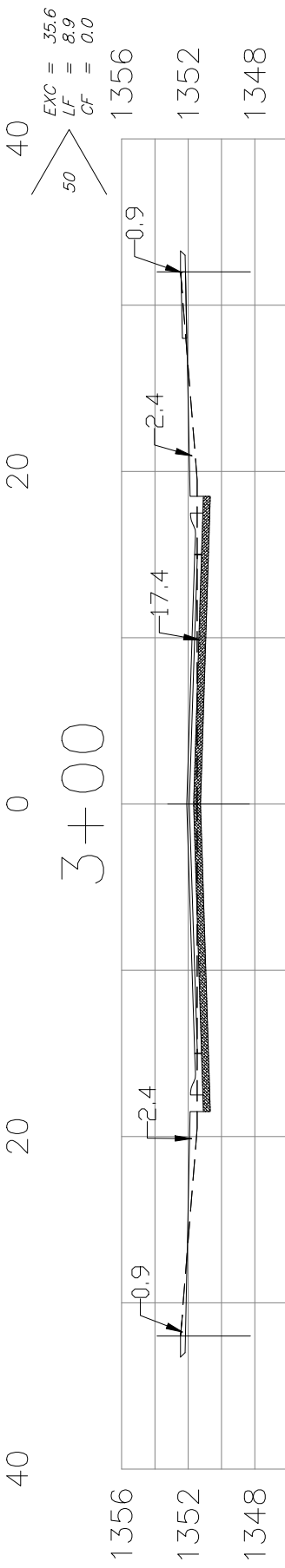
3+84.13



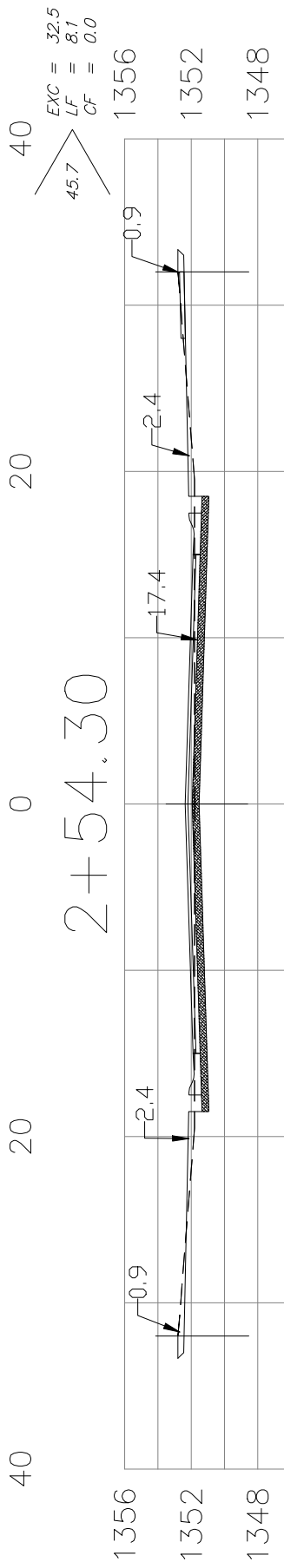
3+50



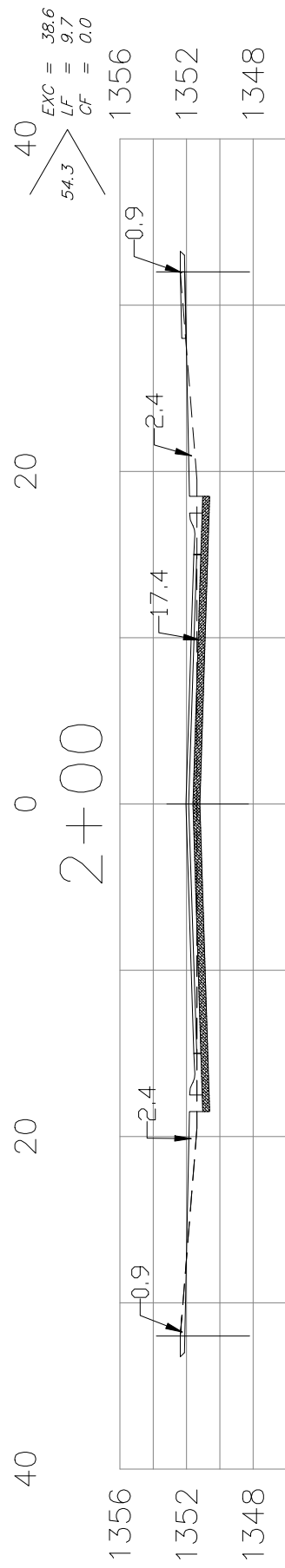
3+00



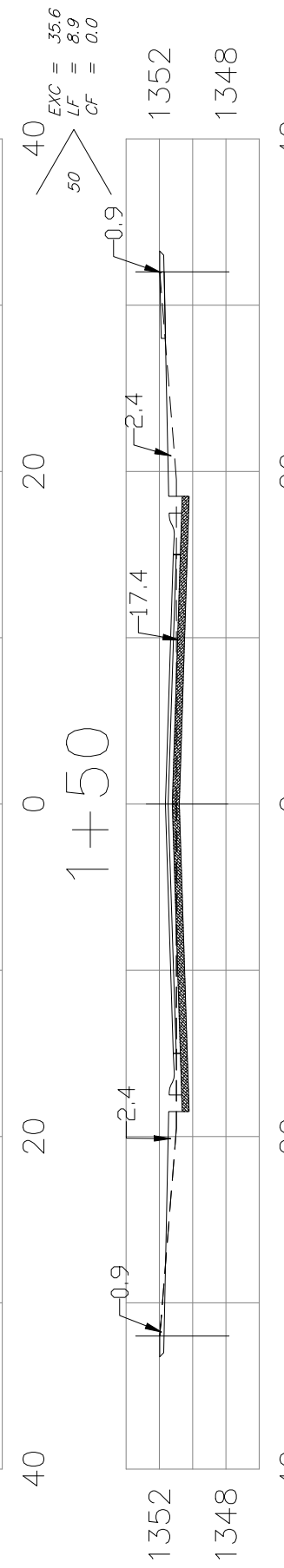
2+54.30



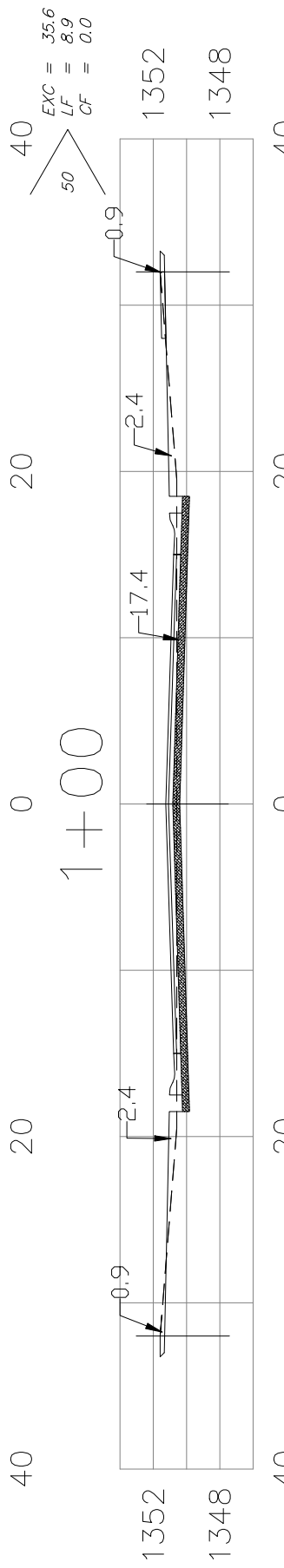
2+00



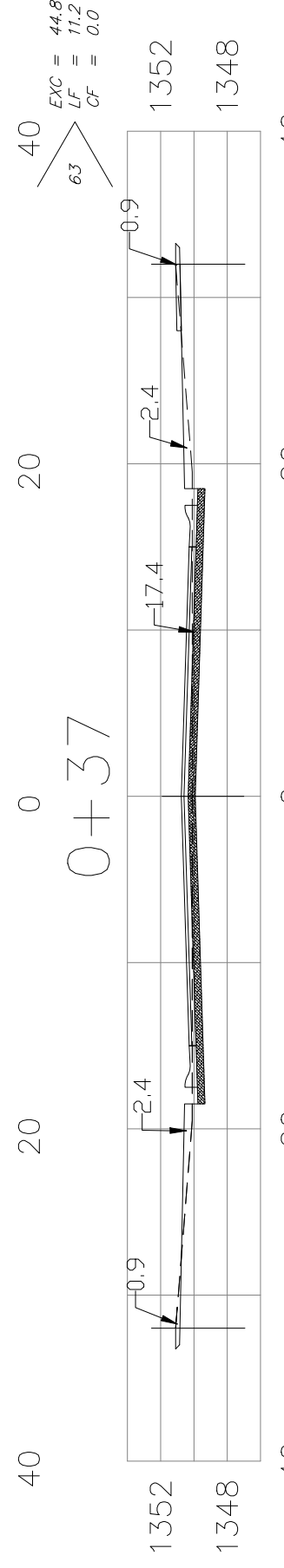
1+50



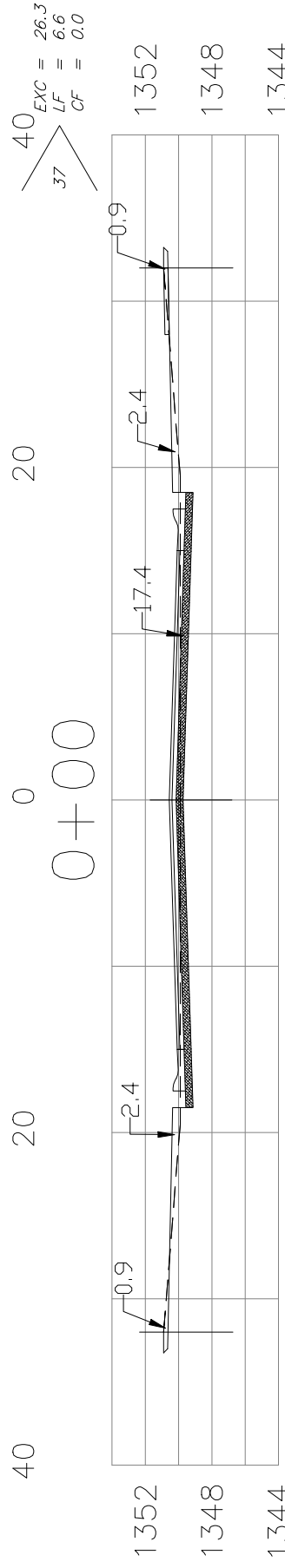
1+00



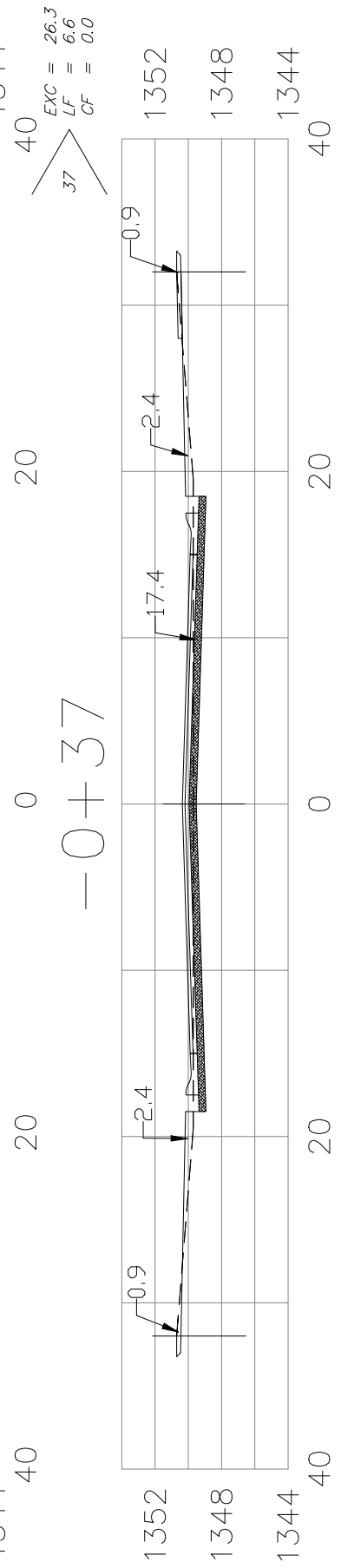
0+37



0+00



-0+37



Sheet Totals:

Excavation = 299.6 C.Y.  
 Loose Fill = 75.0 C.Y.  
 Compacted Fill = 0 C.Y.

