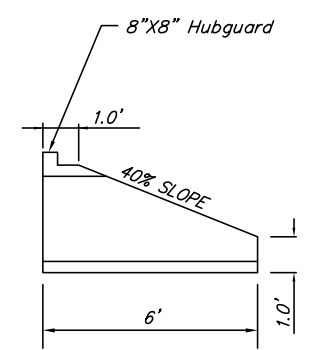
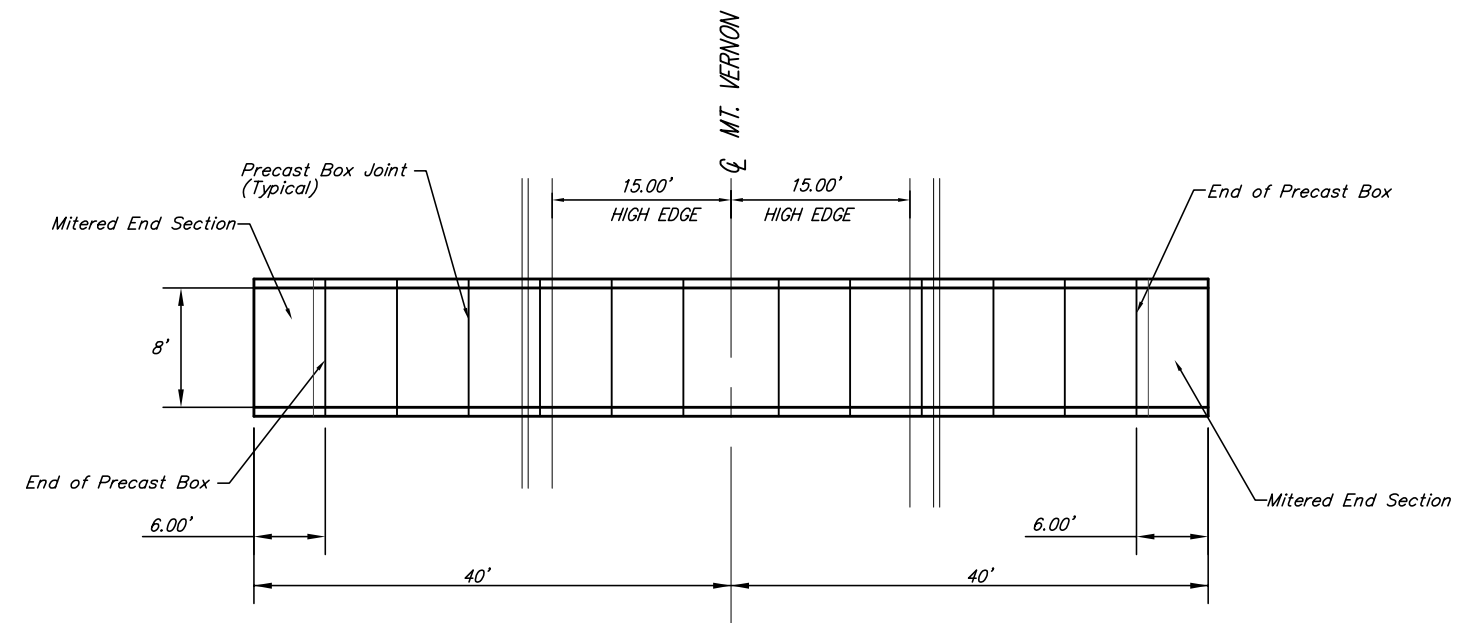


ELEVATION



END SECTION



PRECAST 8' x 3' RCBC

PLAN

PRECAST CONCRETE: Precast Box Sections shall meet the appropriate design and inspection requirement of A.S.T.M. Designation C-850, Table 2 or C789, Table 2 whichever is critical and the Loading Specifications. The intermediate joints shall be sealed with a mastic compound which shall be provided for an approval with the shop detail submittal. The Contractor shall furnish, to the Engineer, detail plans and shop drawings showing the proposed precast layout and all other details for manufacture and delivery of any precast items to be incorporated into the work.

SEAL COURSE: A Seal Course shall be constructed below the R.C.B. as shown in the Plans. The Seal Course shall consist of 3" of Class III Concrete. No reinforcing shall be placed until the seal course has gained sufficient strength to permit working upon it without injury.

LOADING: HS20-44 AASHTO spec 1996 ed.

SIERRA HILLS ADDITION - PHASE 2 RCBC DETAILS WICHITA, KANSAS			
	Ruggles & Bohm, P.A. Engineering, Surveying, Land Planning		DESIGN KWL
	824 North Main Wichita, Kansas 67203 www.rbkansas.com		(316) 264-8008 (316) 264-4621 fax E-mail: info@rbkansas.com
DRAWING FILE STORM {RCBC DETAILS}		PROJECT NUMBER 472-84423	DATE Aug. 29, 2006
			SHEET 19 OF 33