

SHALLOW TYPE "P" MANHOLE

MANHOLE FRAME & COVER
DEETER FOUNDRY INC.-
1015A OR EQUAL

Masonry Collar
See Detail below

48" (MIN.)

5" (MIN.)

5" (MIN.)

4" (MIN.)

SEE NOTE 3

12"

6"

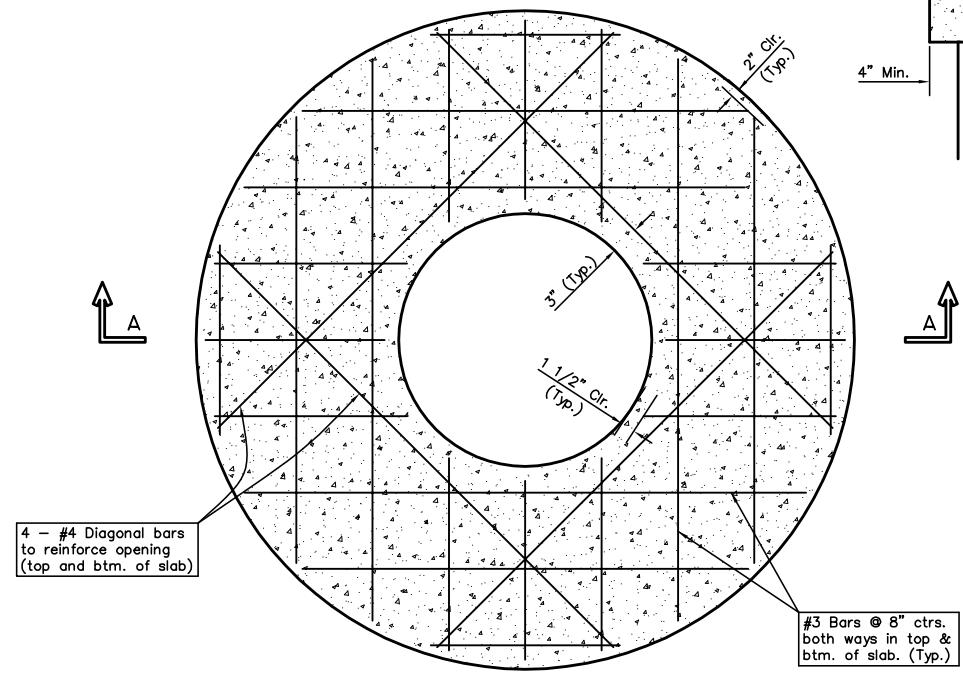
#4 BARS @ 6" CTRS.
BOTH WAYS

3" CLEAR

COMPACTED SOIL
(95% ASTM D-698)

UNDISTURBED SOIL OR APPROVED
BACKFILL MATERIAL COMPACTED
TO 95% ASTM D-698

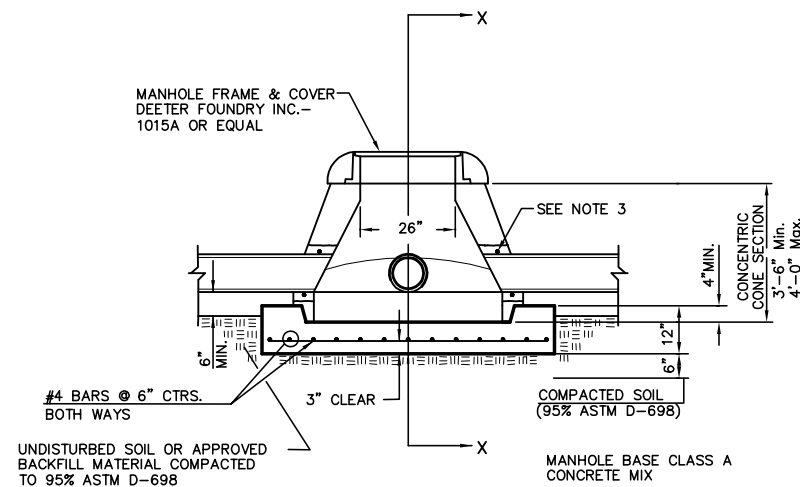
MANHOLE BASE CLASS A
CONCRETE MIX



PLAN

4 - #4 Diagonal bars
to reinforce opening
(top and btm. of slab)

#3 Bars @ 8" ctrs.
both ways in top &
btm. of slab. (Typ.)



SPECIAL SHALLOW TYPE "P" MANHOLE

MANHOLE FRAME & COVER
DEETER FOUNDRY INC.-
1015A OR EQUAL

26"

SEE NOTE 3

4" MIN.

CONCENTRIC
CONE SECTION
3'-6" Min.
4'-0" Max.

6" MIN.

6"

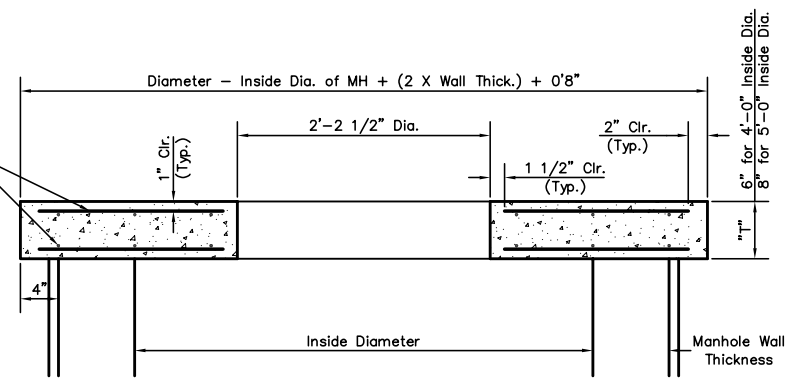
#4 BARS @ 6" CTRS.
BOTH WAYS

3" CLEAR

COMPACTED SOIL
(95% ASTM D-698)

UNDISTURBED SOIL OR APPROVED
BACKFILL MATERIAL COMPACTED
TO 95% ASTM D-698

MANHOLE BASE CLASS A
CONCRETE MIX



**SECTION A-A
CONCRETE SLAB DETAILS**

#3 Bars @ 8" ctrs.
both ways in top &
btm. of slab. (Typ.)

Diameter - Inside Dia. of MH + (2 X Wall Thick.) + 0'8"

2'-2 1/2" Dia.

1" Clr.
(Typ.)

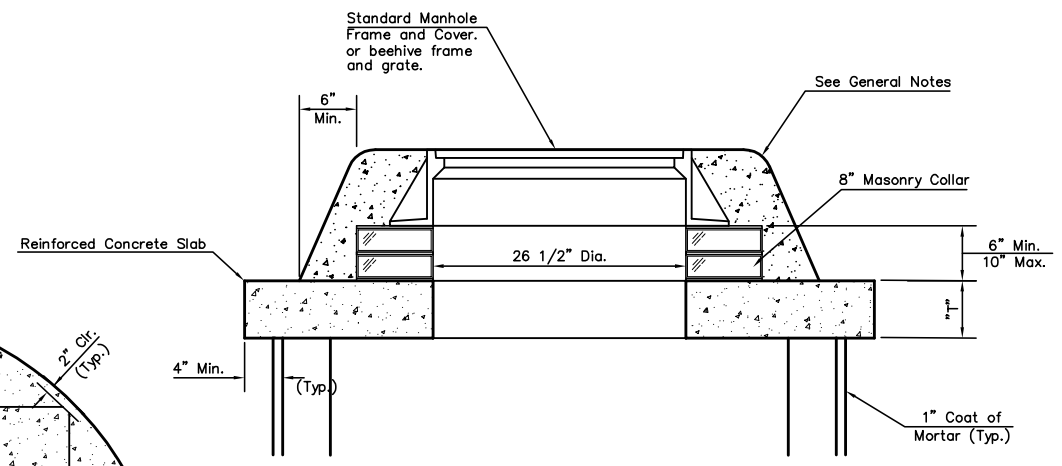
2" Clr.
(Typ.)

1 1/2" Clr.
(Typ.)

3"

Manhole Wall
Thickness

Inside Diameter



MASONRY COLLAR DETAIL

Standard Manhole
Frame and Cover,
or beehive frame
and grate.

6" Min.

See General Notes

8" Masonry Collar

26 1/2" Dia.

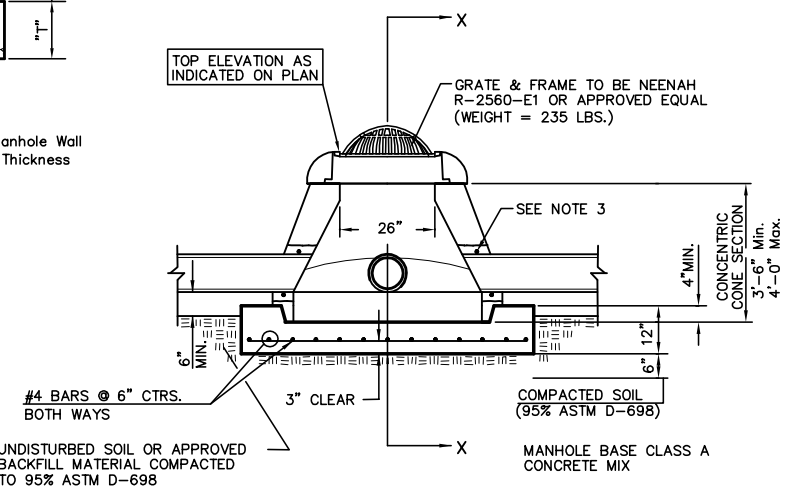
6" Min.
10" Max.

Reinforced Concrete Slab

4" Min.

(Typ.)

1" Coat of
Mortar (Typ.)



**SPECIAL SHALLOW TYPE "P" MANHOLE
WITH BEEHIVE FRAME & GRATE**

MANHOLE FRAME & COVER
DEETER FOUNDRY INC.-
1015A OR EQUAL

26"

SEE NOTE 3

4" MIN.

CONCENTRIC
CONE SECTION
3'-6" Min.
4'-0" Max.

6" MIN.

6"

#4 BARS @ 6" CTRS.
BOTH WAYS

3" CLEAR

COMPACTED SOIL
(95% ASTM D-698)

UNDISTURBED SOIL OR APPROVED
BACKFILL MATERIAL COMPACTED
TO 95% ASTM D-698

MANHOLE BASE CLASS A
CONCRETE MIX

TOP ELEVATION AS
INDICATED ON PLAN

GRATE & FRAME TO BE NEENAH
R-2560-E1 OR APPROVED EQUAL
(WEIGHT = 235 LBS.)

GENERAL NOTES

1. ALL PRECAST CONCRETE MANHOLE SECTIONS SHALL CONFORM TO THE LATEST REVISIONS OF A.S.T.M. C478 AS MODIFIED BY THE SPECIFICATIONS.
2. NON-SHRINK GROUT SHALL BE NON-METALLIC TYPE.
3. APPROVED FLEXIBLE WATERSTOP GASKETS SHALL BE INSTALLED TO JOIN THE SEWER TO THE MANHOLE WALL WHEN A.B.S. COMPOSITE PIPE OR P.V.C. PIPE IS USED. FOR OTHER TYPES OF PIPE THE SEWER SHALL BE GROUTED IN PLACE WITH NON-SHRINK GROUT. THE SEWER PIPE SHALL BE SUPPORTED WITH CONCRETE ENCASEMENT A MINIMUM OF 3 FEET FROM THE MANHOLE WALL AND TO THE FIRST JOINT FOR V.C.P. SUCH THAT THE JOINT REMAINS FLEXIBLE.
4. ALL INSIDE SURFACES OF THE CONCRETE MANHOLE WHICH WOULD BE EXPOSED TO SEWER GAS SHALL BE COATED WITH 2 COATS TNE MEC SERIES 66 HI-BUILD EPOXOLINE, DRY THICKNESS OF 8 MILS (MIN.)
5. EXTERIOR MANHOLE WALLS SHALL BE COATED WITH 1 COAT MOBILARMA 633 BITUMINOUS COATING.
6. JOINT SEALING COMPOUND SHALL BE KENT SEAL NO. 2 OR APPROVED EQUAL.
7. PRECAST MANHOLES SHALL BE SET AT LEAST 4 INCHES INTO THE MANHOLE BASE.
8. TOP OF MANHOLE FLOOR SLAB SHALL BE AT LEAST 3 INCHES BELOW THE FLOW LINE OF THE OUTLET PIPE TO INSURE SUFFICIENT MINIMUM THICKNESS OF SHAPED INVERT.
9. LIFTING HOLES SHALL BE FILLED WITH NON-SHRINK GROUT AND THE INTERIOR SURFACE COATED AS SPECIFIED.
10. MORTAR USED IN MASONRY CONSTRUCTION SHALL CONTAIN 8 SACKS OF CEMENT PER CUBIC YARD. CONCRETE USED IN MANHOLE BASES SHALL BE CLASS A CONCRETE THROUGHOUT. MORTAR SHALL BE PLACED AROUND THE MANHOLE RING AS SHOWN ON THE DRAWINGS WHEN MANHOLES ARE CONSTRUCTED IN UNPAVED AREAS. MANHOLES CONSTRUCTED WHERE PIPE SIZES ARE SMALLER THAN 24" SHALL HAVE AN INSIDE DIAMETER OF 4". MANHOLES CONSTRUCTED WHERE PIPE SIZES ARE 24" OR LARGER SHALL HAVE AN INSIDE DIAMETER OF 5". COMPLETED MANHOLE SHALL BE WITHOUT LEAKS AND WATER TIGHT.
11. REINFORCING STEEL SHALL BE INSTALLED IN THE MANHOLE BASES AND SHALL CONSIST OF NO. 4 BARS PLACED ON 6" CENTERS IN BOTH DIRECTIONS. THE MANHOLE BASE REINFORCEMENT SHALL BE PLACED AT LEAST 3" ABOVE THE BOTTOM OF THE MANHOLE BASE. ALL COSTS FOR FURNISHING AND INSTALLING REINFORCING STEEL SHALL BE INCLUDED IN THE UNIT PRICE BID FOR THE MANHOLE.
12. THE FLOORS OF ALL MANHOLES SHALL BE SHAPED WITH FLOW CHANNELS SUCH THAT THE MANHOLES WILL BE SELF CLEANING AND FREE OF AREAS WHERE SOLIDS COULD BE DEPOSITED AS SEWAGE FLOWS THROUGH THE MANHOLE FROM ALL INLET PIPES TO THE OUTLET PIPE. FLOW CHANNELS SHALL BE FORMED TO MATCH THE BOTTOM HALVES OF THE INFLOWING PIPES AND THE OUTFLOWING PIPE AS SHOWN BY THE DRAWINGS EXCEPT FOR INSIDE DROP MANHOLES. FLOW CHANNELS FOR INSIDE DROP MANHOLES SHALL BE CONSTRUCTED AS INDICATED BY THE DRAWING. MANHOLE FLOORS SHALL HAVE SLOPES OF 3 INCHES PER FOOT IN THE AREAS OUTSIDE OF THE FLOW CHANNELS SLOPED TOWARD THE FLOW CHANNELS. PIPES LAID THROUGH MANHOLES SHALL HAVE THE TOP HALF REMOVED TO NEAT LINES FOR THE FULL INSIDE DIAMETER OF THE MANHOLE. MANHOLE FLOORS SHALL THEN BE SHAPED AROUND THE BOTTOM HALF OF THE PIPE WHICH FORMS THE FLOW CHANNEL.
13. PIPES INSTALLED WITHIN THE EXCAVATION MADE FOR THE MANHOLE SHALL BE CRADLED WITH CONCRETE TO THE LIMITS OF THE MANHOLE EXCAVATION. WHEN CLAY PIPE IS USED, THE CRADLE SHALL EXTEND TO THE FIRST JOINT OUTSIDE THE MANHOLE. THE CRADLE SHALL BE TERMINATED AT THE CLAY PIPE JOINT IN A MANNER WHICH WILL MAINTAIN THE FLEXIBILITY OF THE JOINT. COST OF CRADLE WITHIN MANHOLE EXCAVATION OR TO CLAY PIPE JOINTS ADJACENT TO MANHOLE SHALL BE INCLUDED IN THE UNIT PRICE BID FOR THE MANHOLE.
14. MANHOLE COVER CASTINGS AND MANHOLE FRAME CASTINGS SHALL CONFORM TO THE REQUIREMENTS AS INDICATED IN THE STANDARD SPECIFICATIONS AND AS SHOWN IN THE STANDARD DETAIL DRAWING.
15. ALL BRICK USED IN MANHOLE CONSTRUCTION SHALL MEET GRADE SW OF ASTM C652 OR C62-87.

**SHALLOW TYPE "P" MANHOLE DETAILS
WITH BEEHIVE INLET**

<p>Ruggles & Bohm, P.A. Engineering, Surveying, Land Planning</p> <p>824 North Main Wichita, Kansas 67203 www.rbkansas.com</p> <p>(316) 264-8008 (316) 264-4621 fax E-mail: info@rbkansas.com</p>	DESIGN	<p>27 OF 33</p>
	DRAWN	
	REVIEW	UTILITY
	DATE	July 13, 1998
DRAWING FILE (RB)Beehive Manhole Detail	PROJECT NUMBER 472-84423	