

BRIDGE HANDRAIL NOTES:

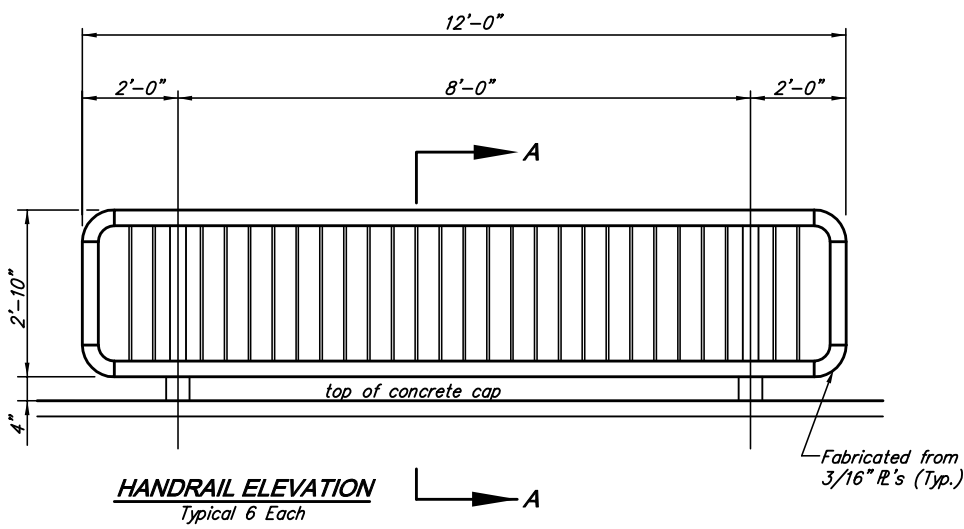
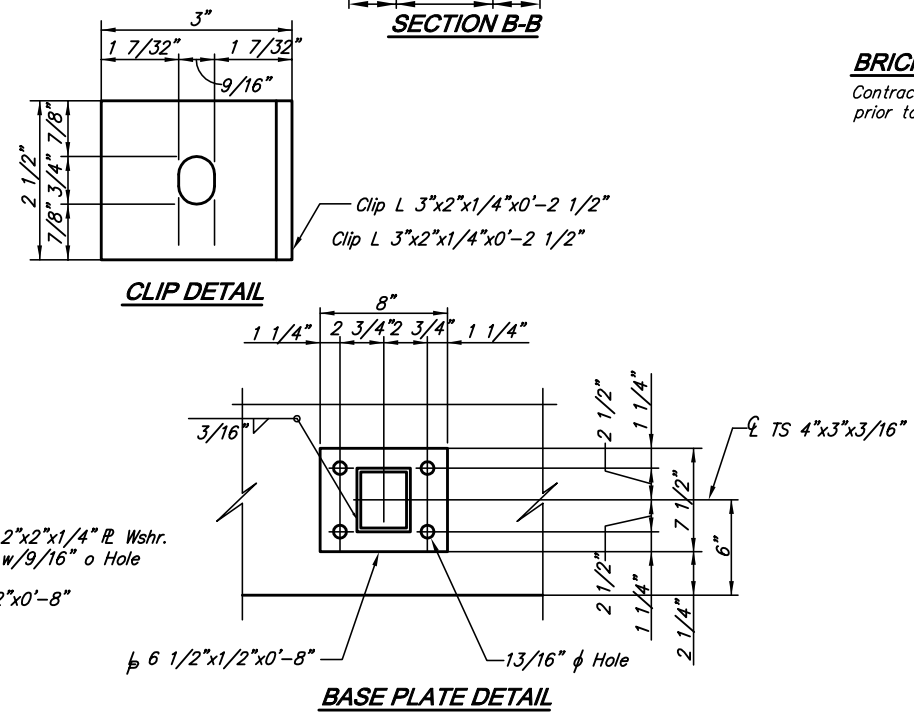
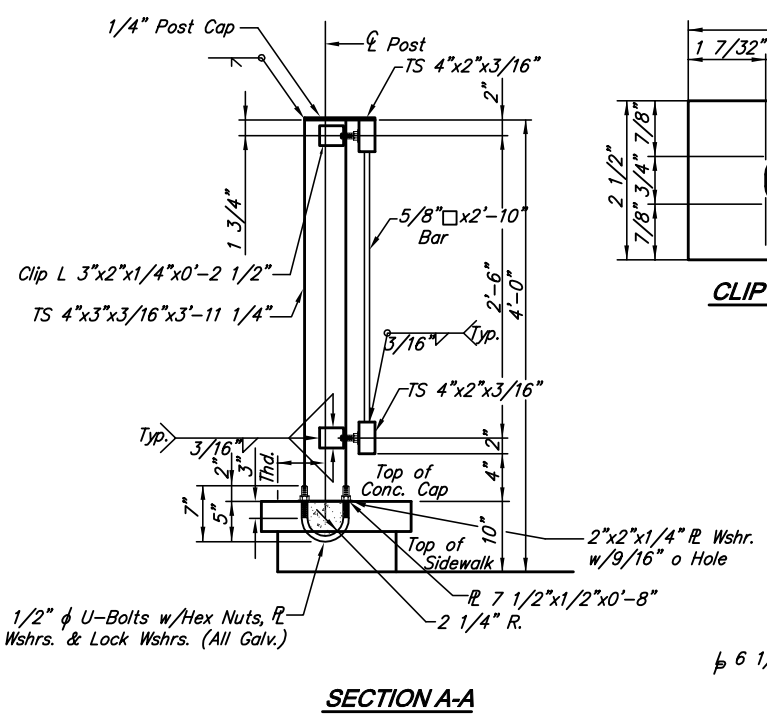
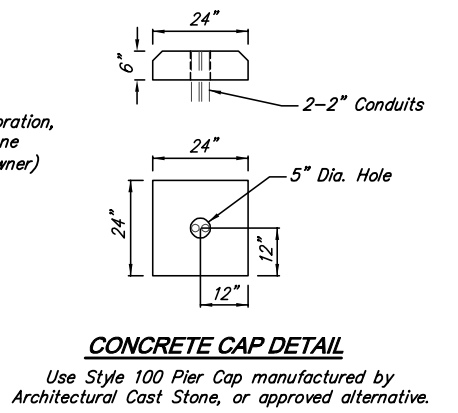
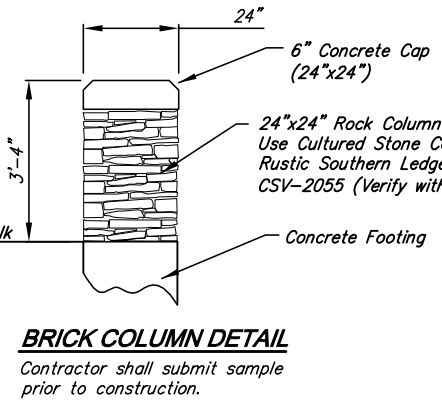
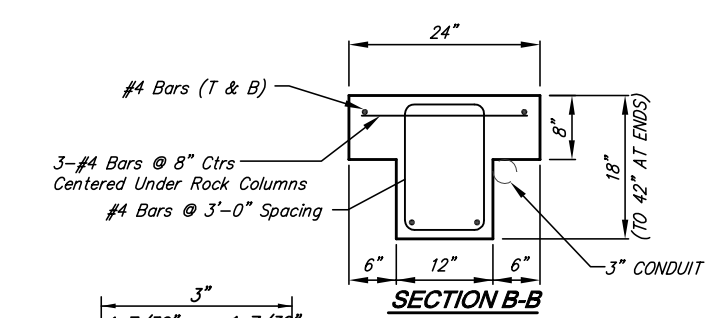
The rail members shall conform to ASTM Designation A36 or equivalent.

Rail shall be fabricated in lengths to include a minimum of two and a maximum of three panels. Posts shall be set vertical. Shims may be used between concrete and base plates of posts.

All parts of Bridge Handrail shall be painted. Shop and field coats shall conform to organic or inorganic Zinc for primer and "High-Build Polyurethane Finish Coat" at the Standard Specifications for State Road and Bridge Construction, 1990 Edition, Kansas Department of Transportation. All materials, equipment and labor necessary for the installation of the Handrail on the bridge shall be subsidiary to the bid item, "Handrail".

Handrail shall be Black in color. Contractor to submit color chart to Engineer for approval.

Touch Up: All bolts, nuts and studs and other small areas of damaged paint (10 S.F. or less) requiring touch up will be prepared and painted w/approved alluminum epoxy mastic primer.



ALL WORK AND MATERIAL ON THIS SHEET SHALL BE BID UNDER 'LUMP SUM' FOR HANDRAIL CONSTRUCTION.

SIERRA HILLS ADDITION - PHASE 2
HANDRAIL DETAILS
WICHITA, KANSAS

Ruggles & Bohm, P.A.
Engineering, Surveying, Land Planning

824 North Main (316) 264-8008
Wichita, Kansas 67203 (316) 264-4621 fax
www.rbkansas.com E-mail: info@rbkansas.com

DESIGN	KWL	FR. JOB	2088E
DRAWN	MLP	SHEET	22
REVIEW		OF	33
UTILITY		DATE	Oct. 12, 2006
DRAWING FILE	PROJECT NUMBER		
SWS {HANDRAIL DETAILS}	472-84423		