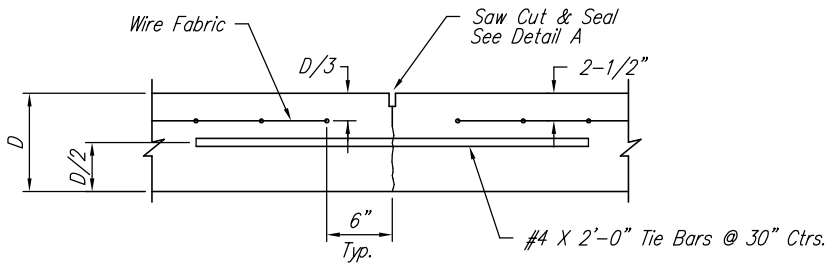
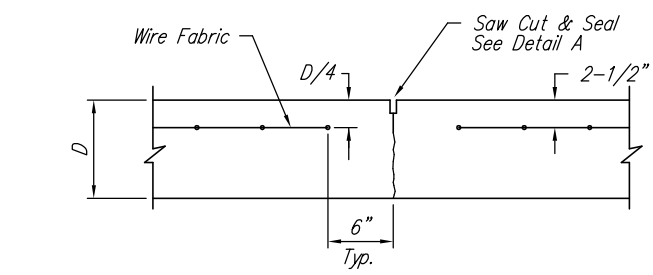


TYPICAL SECTION

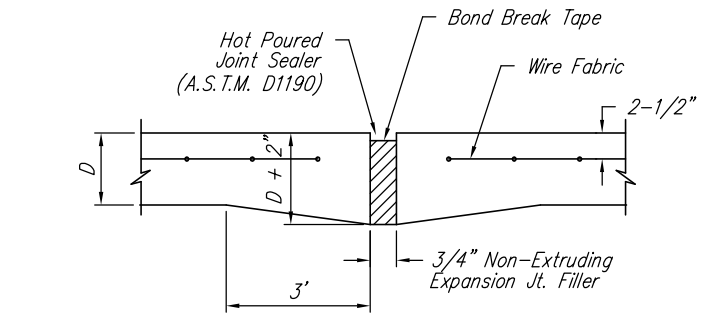
Sta. 10+90.00 to Sta. 11+90.00



LONGITUDINAL JOINT DETAIL (L.J.)

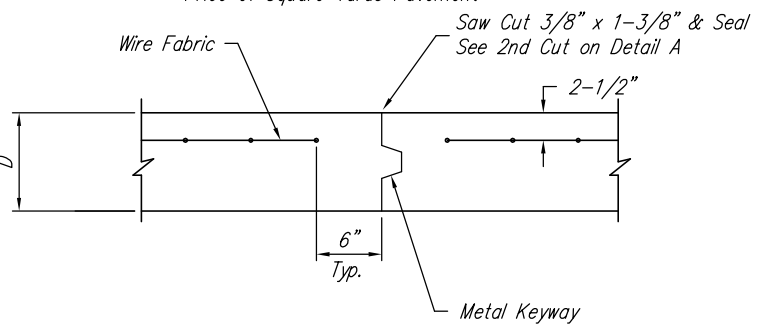


CONTRACTION JOINT DETAIL (C.J.)

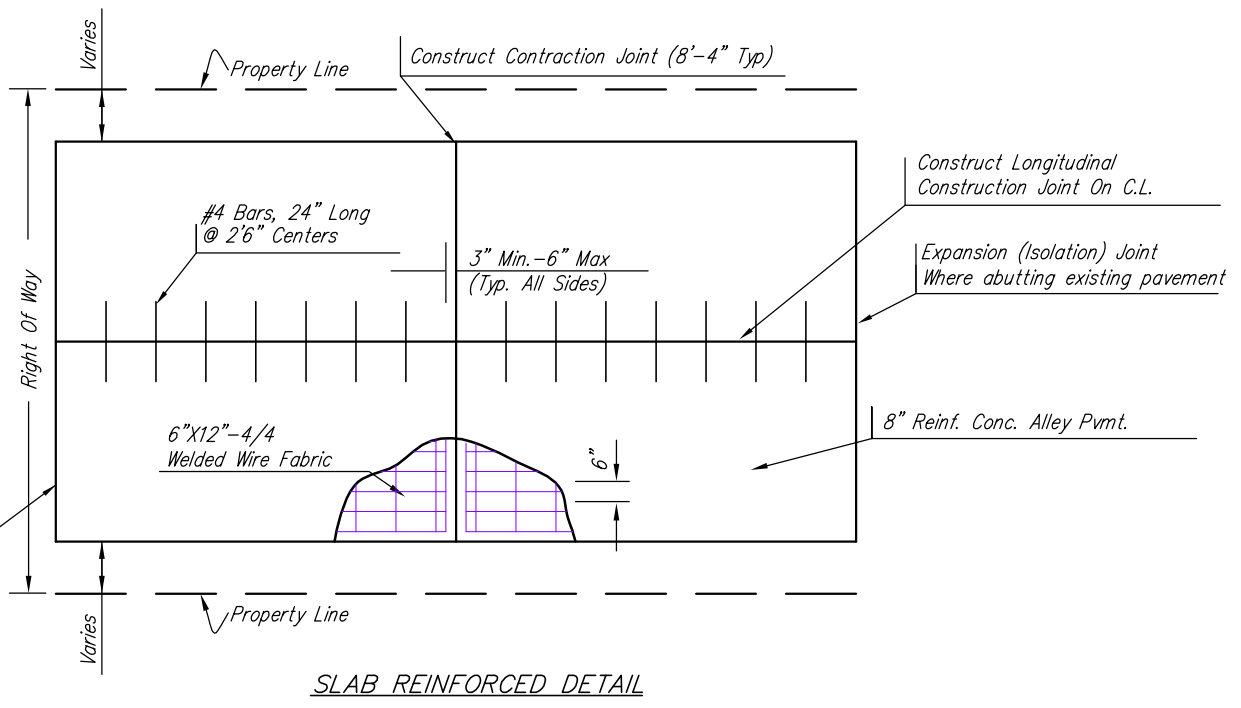


EXPANSION (ISOLATION) JOINT

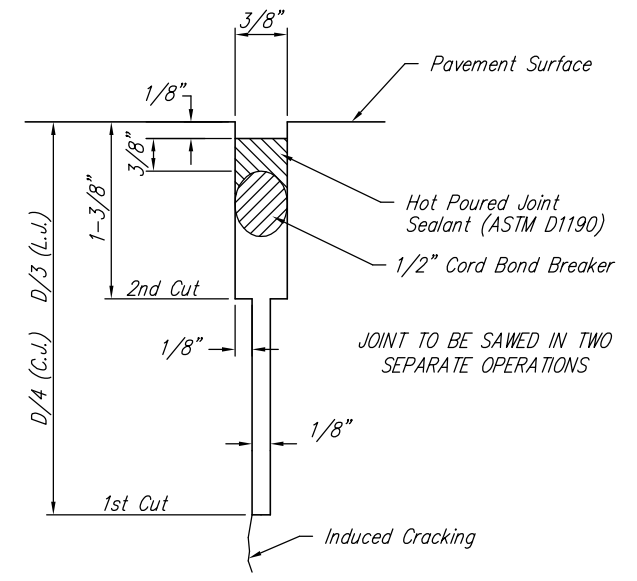
NOTE: Extra Thickness to be Subsidiary to Price of Square Yards Pavement



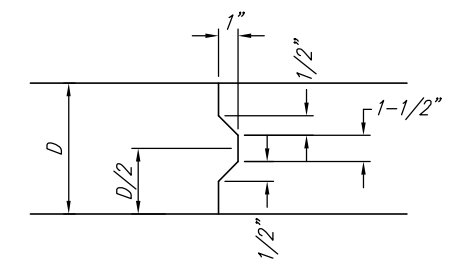
OPTIONAL CONTRACTION JOINT



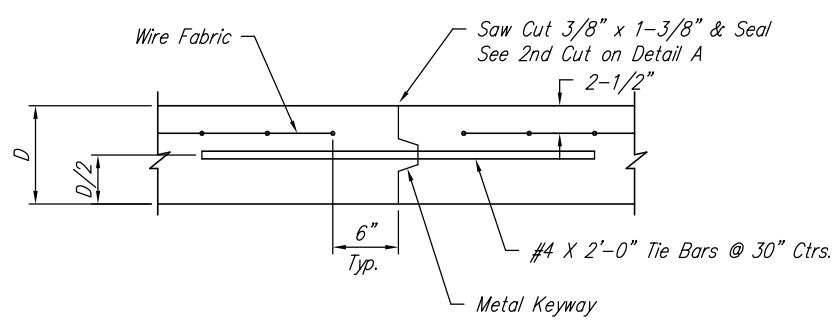
SLAB REINFORCED DETAIL



SAW JOINT DETAIL



KEYWAY DETAIL



OPT. LONGITUDINAL JOINT DETAIL (L.J.)

J:\Civil\06678\dwg\TITLE\06678TYP.dwg 11/28/2006 04:06:47 PM CST

ALLEY IMPROVEMENTS BETWEEN IDA AND LAURA, NORTH OF PAWNEE
PROJECT NAME

TYPICAL SECTION AND DETAILS
SHEET TITLE

JRA DESIGN BY:	JSB DRAWN BY:	JRA CHECKED BY:
Jan. 2007 DATE	06678 JOB NO.	2 / 9 SHEET/OF