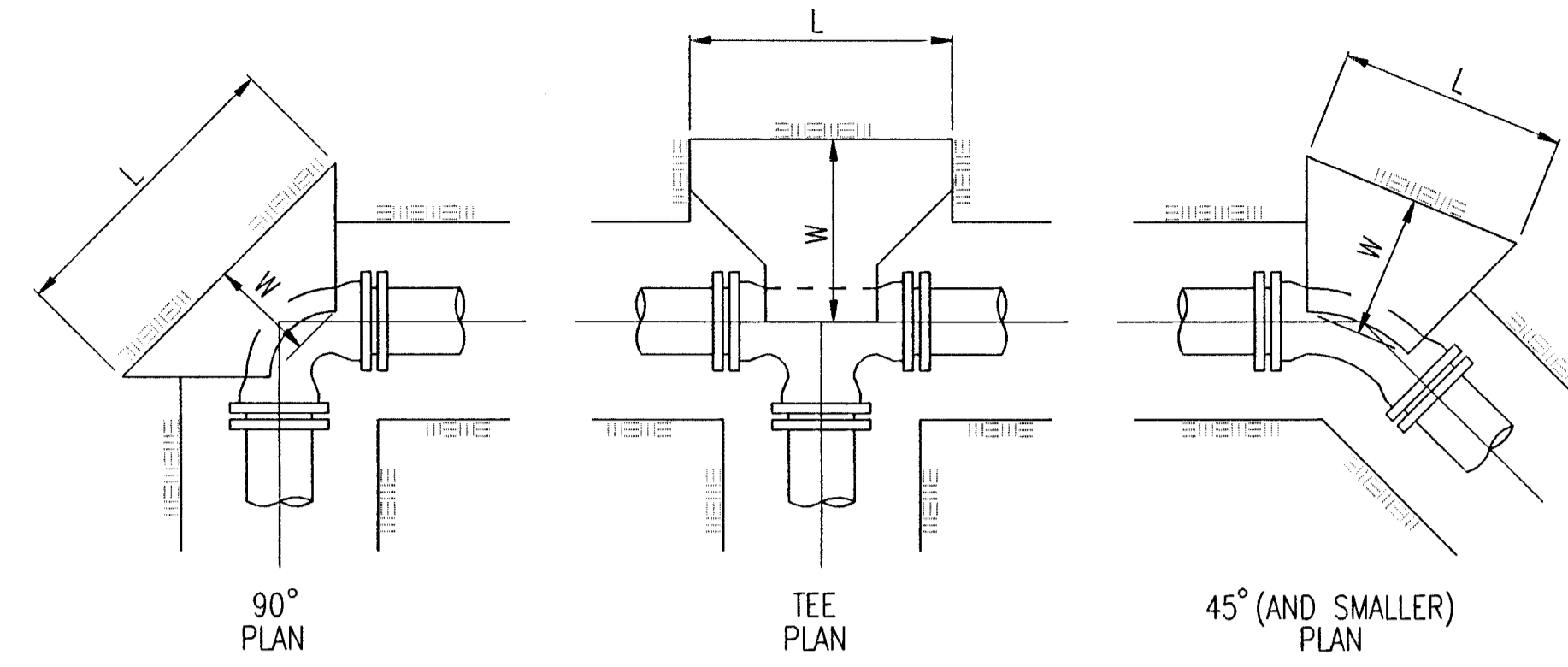
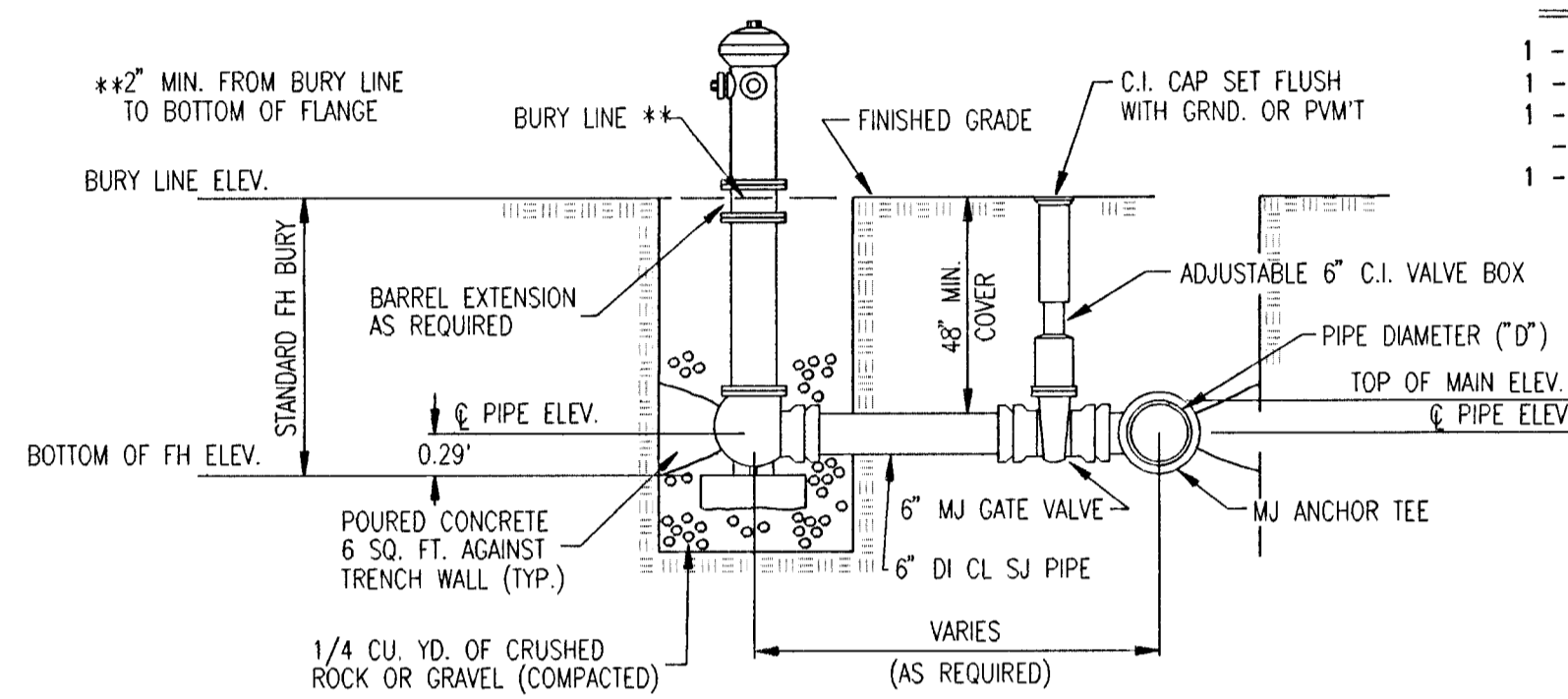


STEEL ENCASEMENT DETAIL



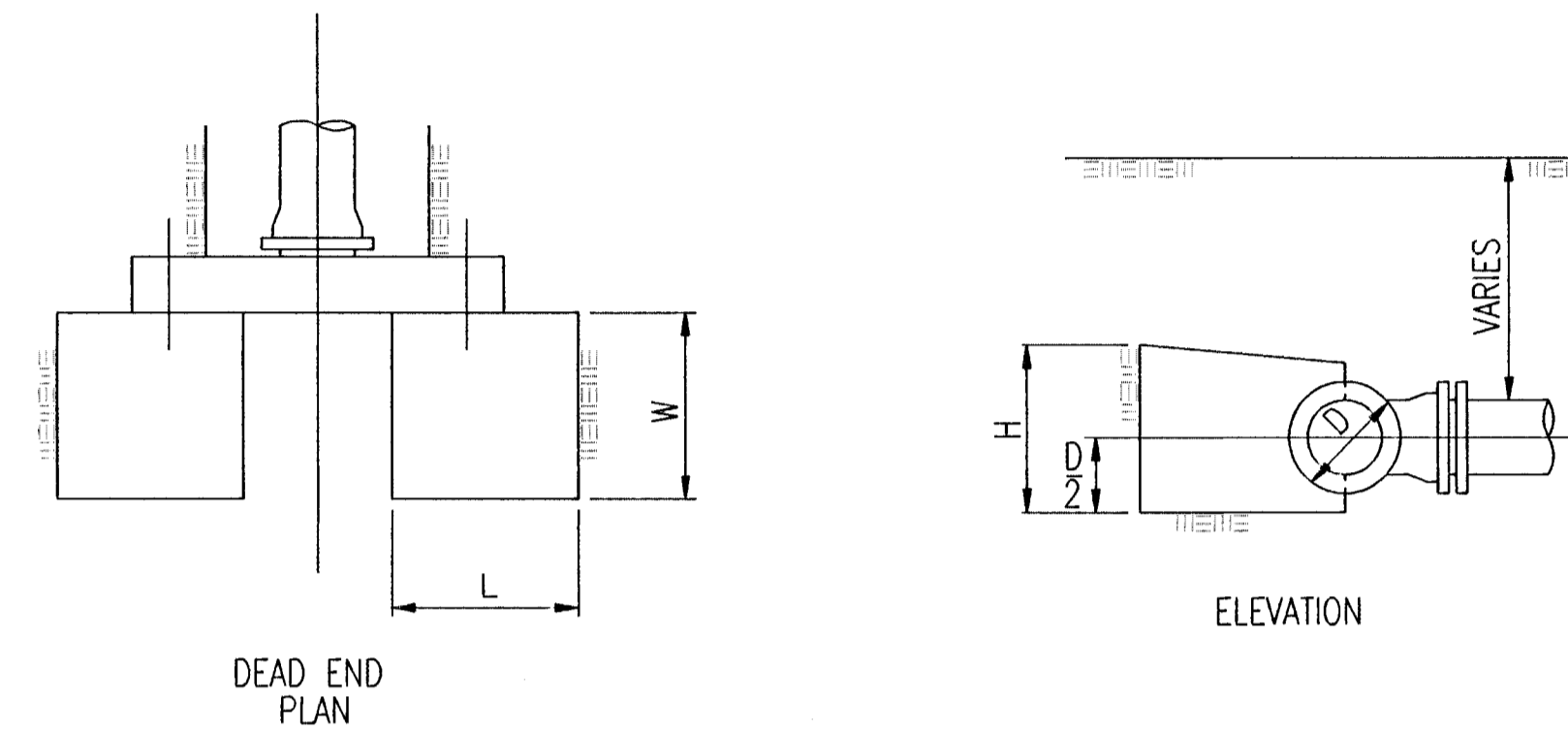
THRUST BLOCK SCHEDULE				
LINE SIZE	FITTINGS & ANGLE	DIM. L	DIM. W	DIM. H
12"	90°	6'-0"	3'-6"	4'-6"
12"	45°	4'-6"	2'-6"	3'-0"
12"	22 1/2°	3'-0"	2'-0"	2'-6"
12"	11 1/4°	2'-0"	1'-6"	2'-0"
12"x12"	Tee	5'-0"	3'-0"	3'-6"



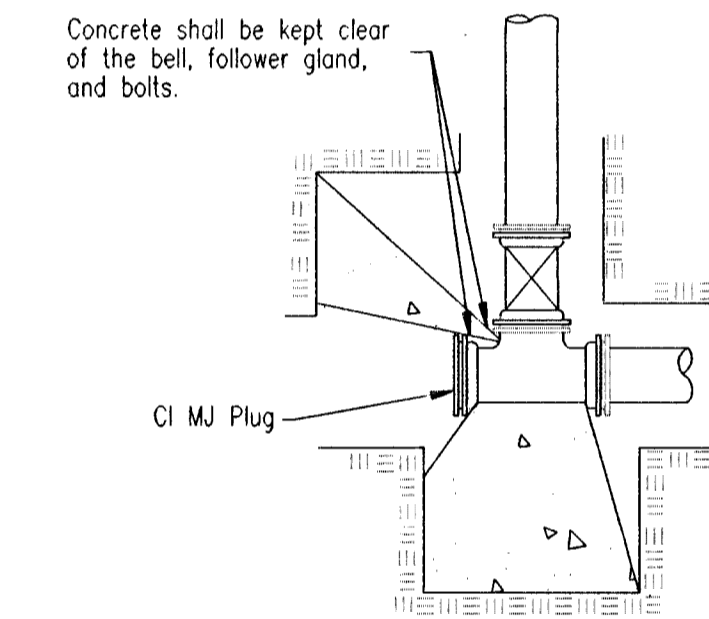
FIRE HYDRANT ASSEMBLY

NOTE: ALL BLOCKING TO BE POURED CONCRETE CLASS II

- MATERIALS**
- 1 - MJ Anchor Tee (12" x 6")
 - 1 - 6" MJ Gate Valve
 - 1 - 6" Valve Box
 - 1 - 6" DI CL SJ Pipe
 - 1 - Fire Hydrant
 - Concrete Blocking (As required)

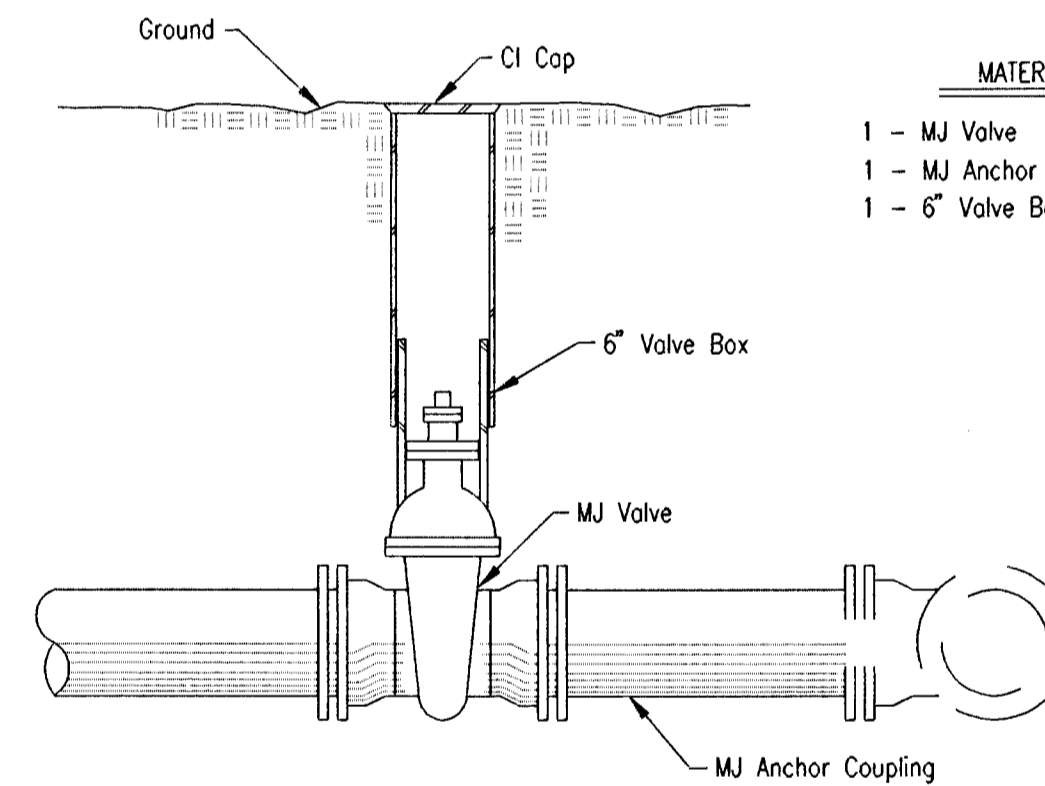


THRUST BLOCK DETAILS



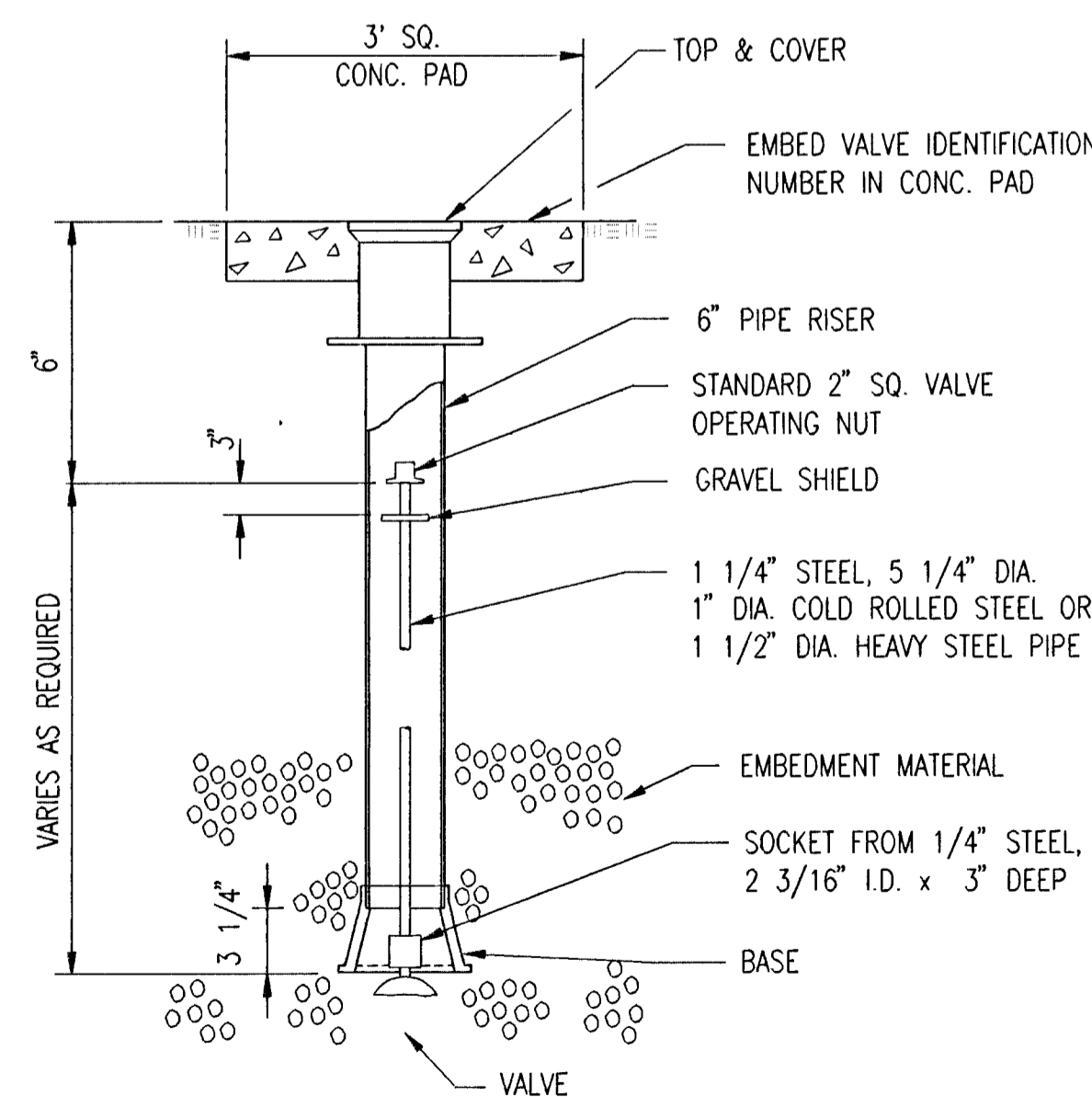
TYPICAL TEE KEY BLOCKING DETAIL

Cost of Key Blocking shall be considered subsidiary to the project and shall not be paid for separately.



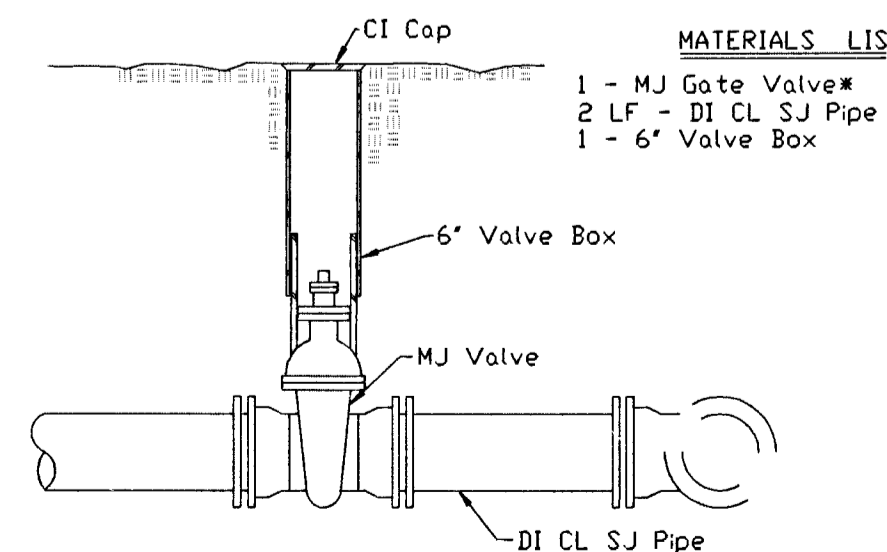
ANCHORED VALVE ASSEMBLY

- MATERIALS LIST**
- 1 - MJ Valve
 - 1 - MJ Anchor Coupling (12" or smaller)
 - 1 - 6" Valve Box



VALVE BOX DETAIL

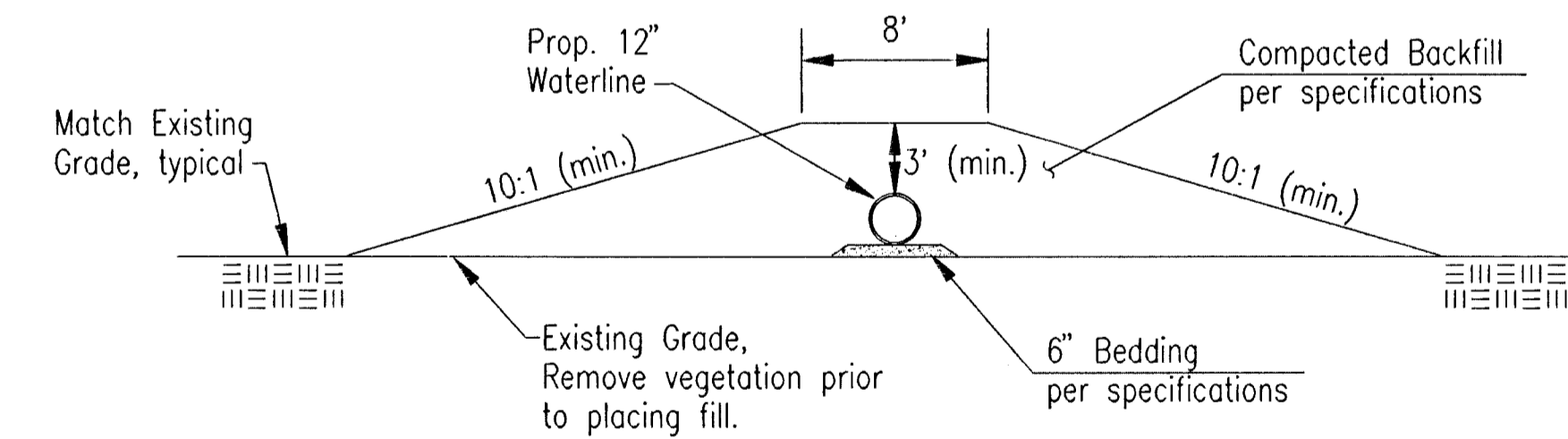
NOTE: ONE VALVE STEM REQUIRED FOR EACH BURIED VALVE



VALVE ASSEMBLY

*See Plans for size of valve.

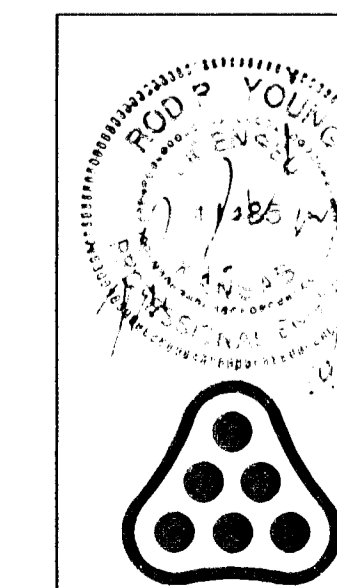
- MATERIALS LIST**
- 1 - MJ Gate Valve
 - 2 LF - DI CL SJ Pipe
 - 1 - 6" Valve Box



TYPICAL FILL SECTION OVER FLOODWAY LEVEE

RECORD DRAWING

DATE: 10/27/95
DESIGNER: MDS
DATE



No.	Revision	By	Date
CITY OF HAYSVILLE SEDGWICK COUNTY, KANSAS MISCELLANEOUS DETAILS HAYSVILLE EMERGENCY WATERLINE WATERLINE IMPROVEMENTS PROFESSIONAL ENGINEERING CONSULTANTS, P.A. ENGINEERS WICHITA, KANSAS			
Designed by	MDS	Job No.	34-95676
Drawn by	GM	Date	October 1995