

MATERIAL LIST - HANGER SYSTEM ITT GRINNELL OR EQUIVALENT					
ITEM X	FIG.	PH	CAP. IN LBS.	WT. IN LBS.	REMARKS
① Concrete Single Lug Plate	47	Ph-46	3770	22.0	1/8" Rod Size
② Phillips Wedge Anchors (4 required)		Ph-41			WS-5860 5/8" Ø x 6"
③ Forged Steel Clevis with Pin	299	Ph-56	3770	3.4	1/8" Tap Size
④ Machine Thread Rod (Rt. Hand Thread both ends)	140	Ph-51	3770		1/8" Rod (Length varies)
⑤ Ad Justable Steel Yoke Pipe Roll	181	Ph-71	1200	49.1	Due to insulation use 18" Size
⑥ Insulation Protection Shield	167	Ph-67		12.7	2 1/2" Insulation R=9.00" 19C

Note: ITT GRINNELL referenced from catalog PH83 (Pipe Hangers)

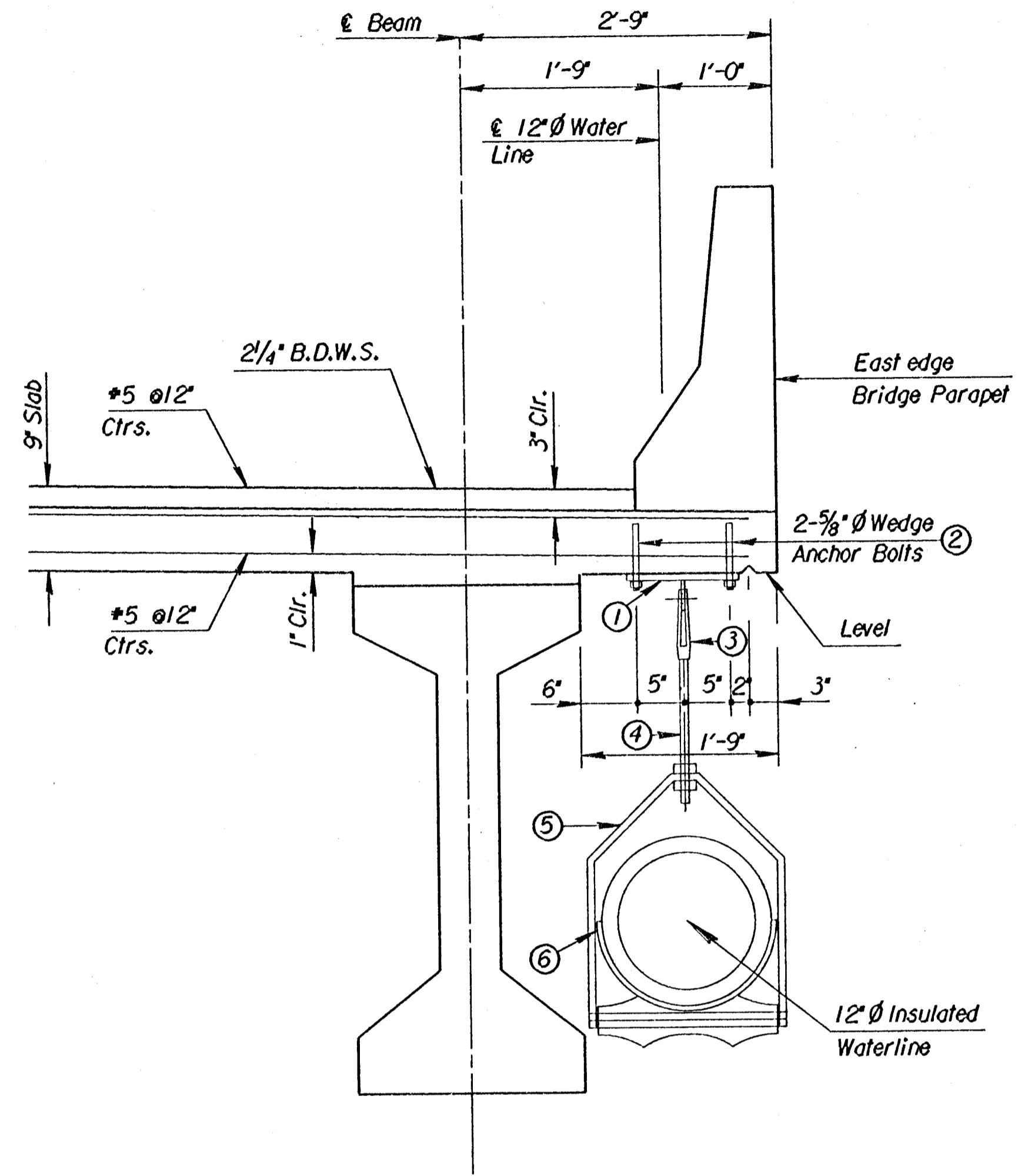
\* Quantities listed are typical for each attachment

Shop drawings depicting attachment methods, site use and itemized bracket catalog cuts and lengths are required to be submitted to the Engineer prior to construction for approval.

Pipe supports shall be not be installed at pipe joints. Supports shall be spaced a minimum of 1' from center of all pipe joints.

All Metal parts are Hot Dip Galvanized.

(Contractor to verify)  
(Contractor to verify)



- ① Concrete Single Lug Plate
- ② Phillips Wedge Anchors
- ③ Forged Steel Clevis
- ④ Machine Threaded Rod
- ⑤ Steel Yoke Pipe Roll
- ⑥ Insulation Protection Shield

**ATTACHMENT - DETAIL A**

Contractor responsible for items ① thru ⑥. All other details and dimensions provided for information only.

All Metal parts are Hot Dip Galvanized.

**RECORD DRAWING**  
 MDK PROJ. ENG. 1/14/97 DATE  
 RES. ENG. DATE

*Richard A. Schmitt*  
 10/24/95

CITY OF HAYSVILLE  
 SEDGWICK COUNTY, KANSAS  
 ATTACHMENT BRACKET DETAILS  
 OVER WICHITA VALLEY CENTER FLOODWAY  
 HAYSVILLE EMERGENCY WATERLINE  
 WATERLINE IMPROVEMENTS.

Professional Engineer  
 RICHARD A. SCHMITT  
 License No. 34-95676  
 Date October, 1995

Drawn By: MAF  
 Sheet 15 of 15

i:\1995\95676\misc\del.dgn  
 drawn by: maf  
 plotted by: ras 10-23-95  
 deliver to: ras