

STATE	PROJECT NO.	YEAR	DATE
MISSISSIPPI		1979	

GENERAL NOTES

MATERIAL: Use Class AAA Concrete throughout. All Structural Steel shall be ASTM A-36. Reinforcing Steel may be grade 40 or grade 60.

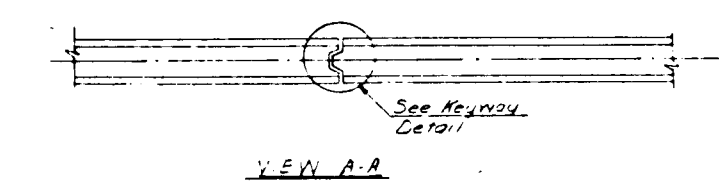
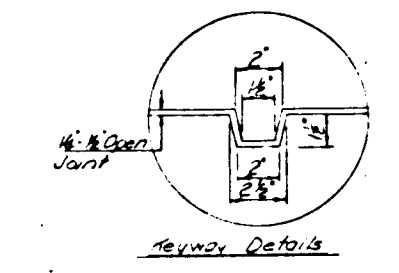
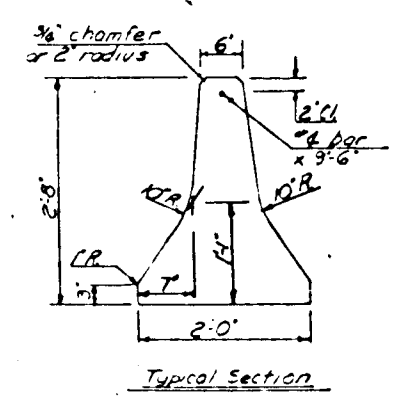
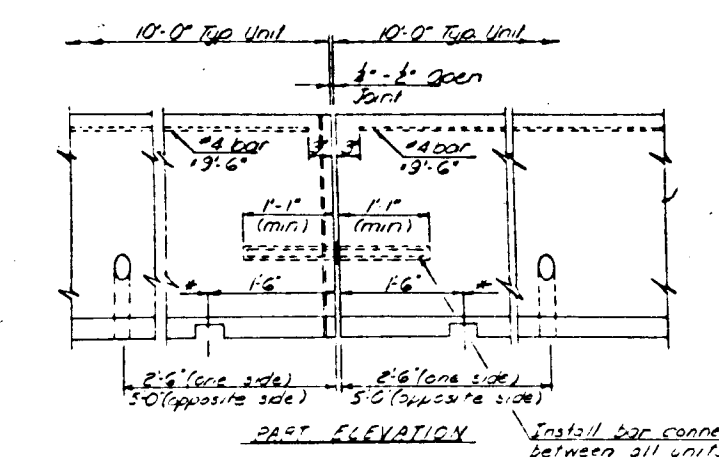
SECTION: The section furnished must generally comply with dimensions shown. Requests for minor variations in section geometry and attachments may be submitted for approval.

REINFORCEMENT: The top end of the keyway shall be enlarged near the 2" hole to accept the 2" washer.

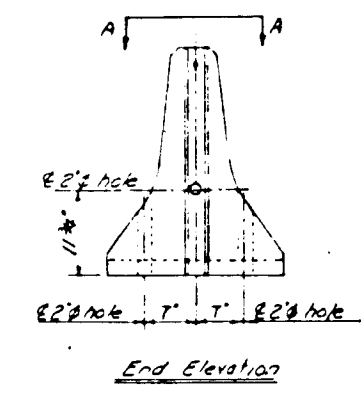
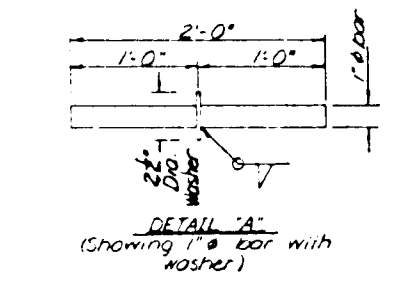
DRAINAGE: Drainage slots shall be constructed where specified in the plans, at inlet locations, or as directed by the Engineer.

CONCRETE BARRIER: All materials and work shown on this sheet shall be paid for by the Bid Item "Concrete Median Barrier" (Type 1) (Precast). The barrier shall become the property of the contractor and shall be removed from the site.

SURFACE PREPARATION: All loose dirt and sand shall be removed from the roadway surface just prior to placement of the median barriers.



* 2" x 2" (Minimum) Lifting Slots at each end of section. Location may be changed at the option of the Contractor.



shall be subsidiary to the bid item "Traffic Control"

NO.	DATE	BY	CHKD.
1			
2			