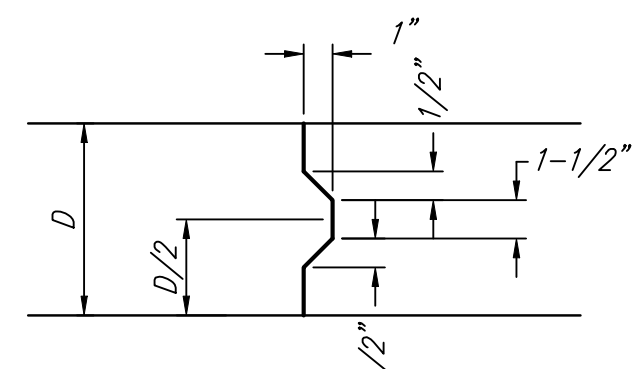
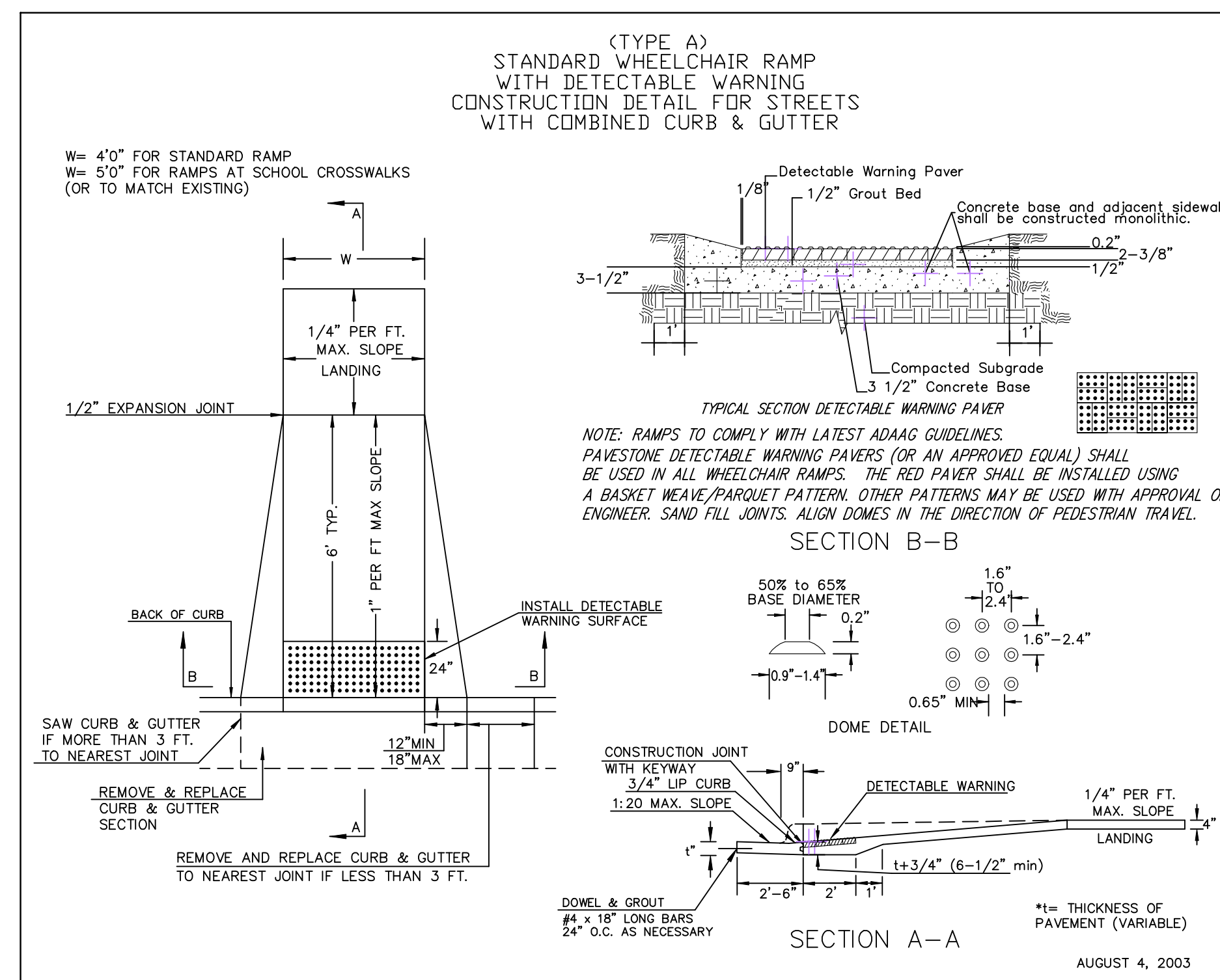


**EXPANSION JOINT**

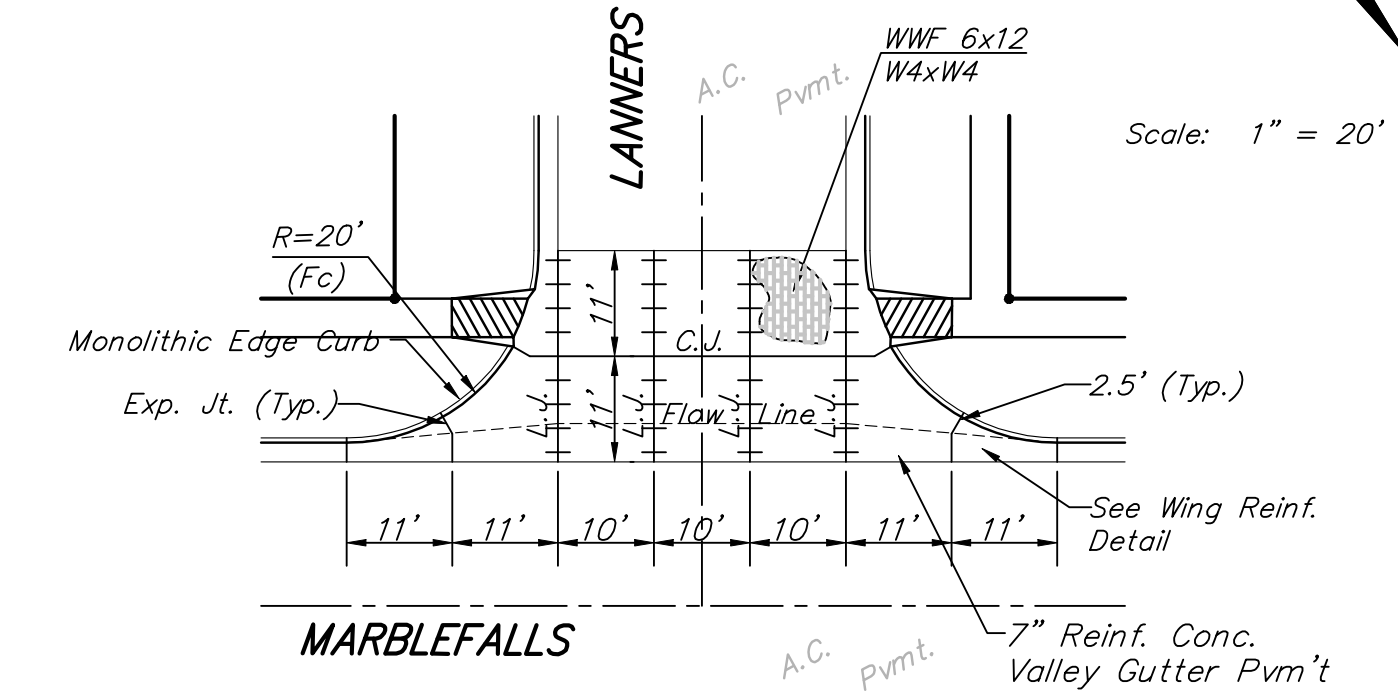
NOTE: Extra Thickness to be Subsidiary to Price of Square Yards Pavement



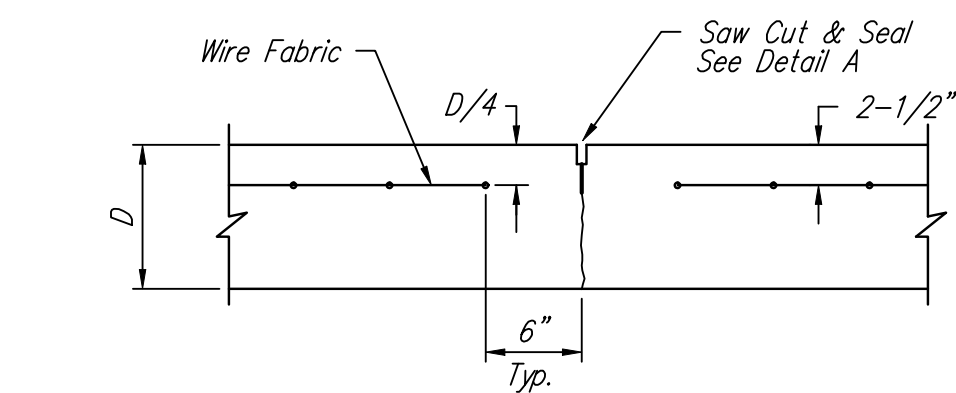
**KEYWAY DETAIL**



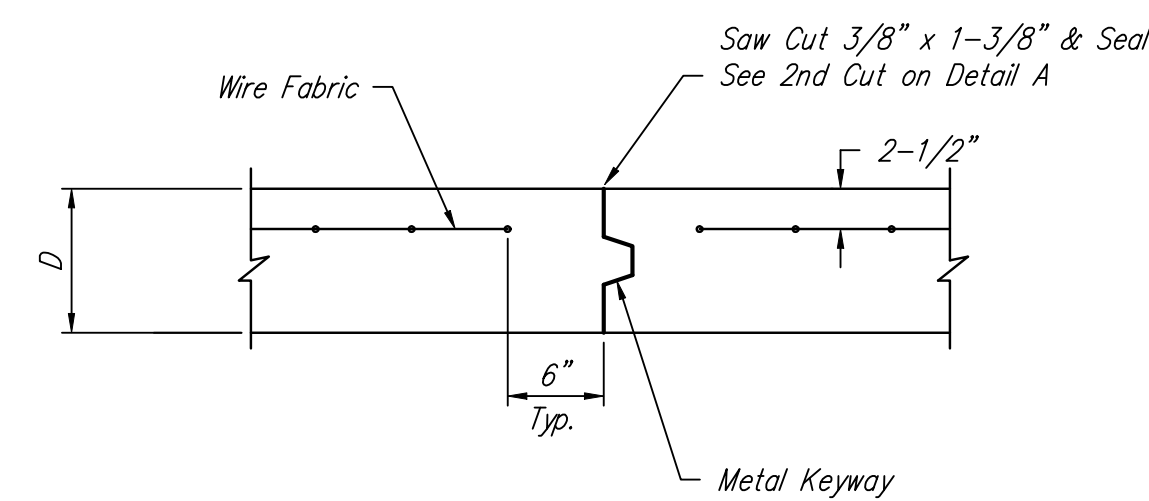
**WHEELCHAIR RAMP DETAIL**



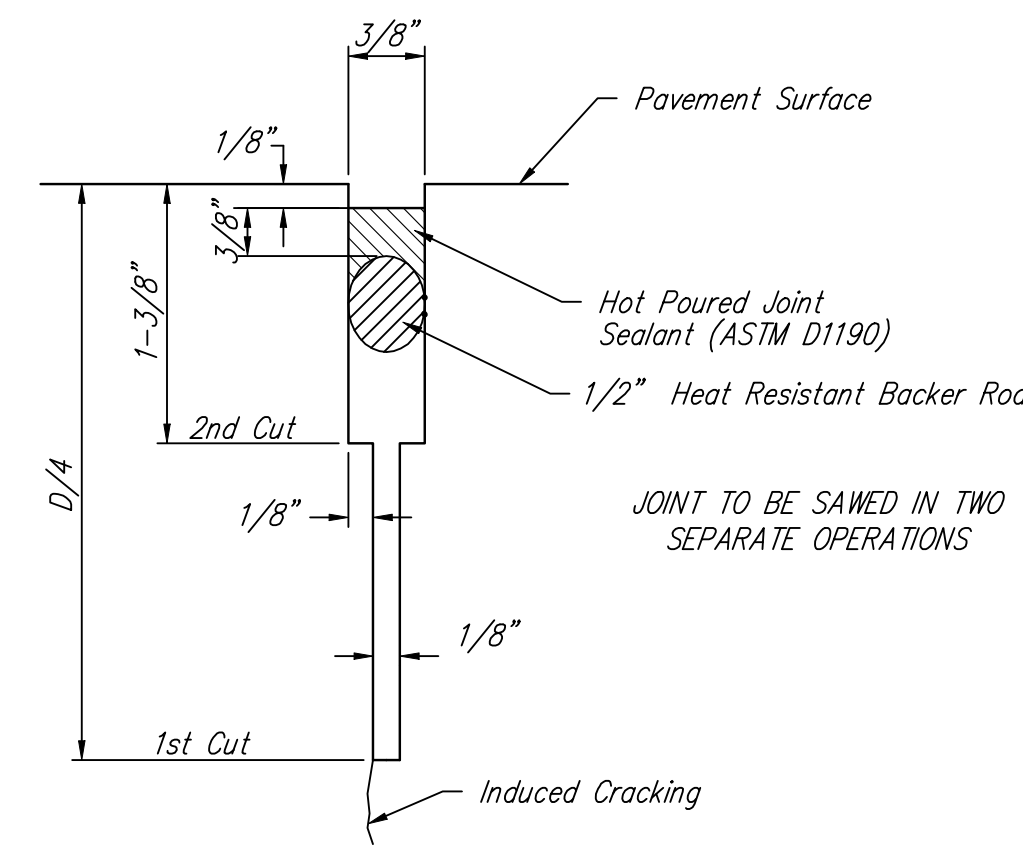
**MARBLEFALLS**



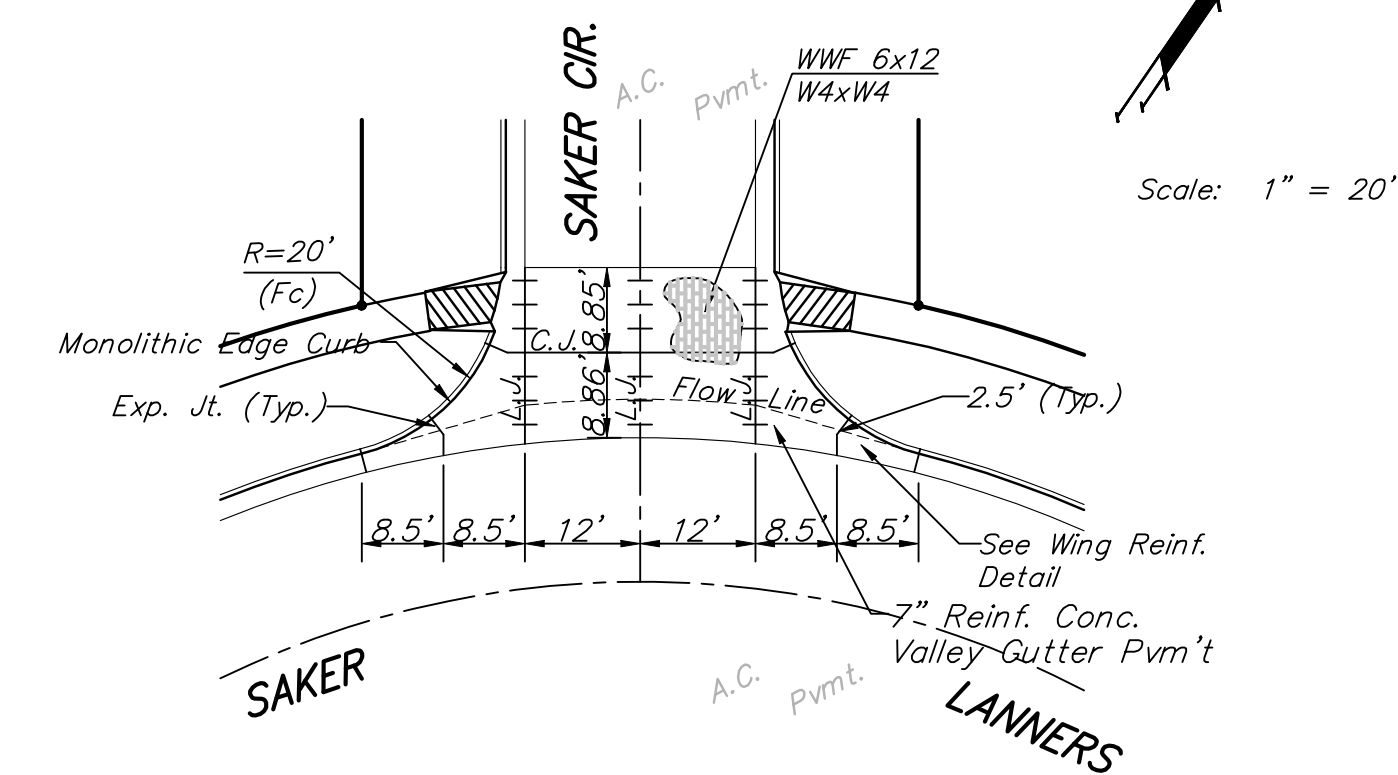
**CONTRACTION JOINT DETAIL (C.J.)**



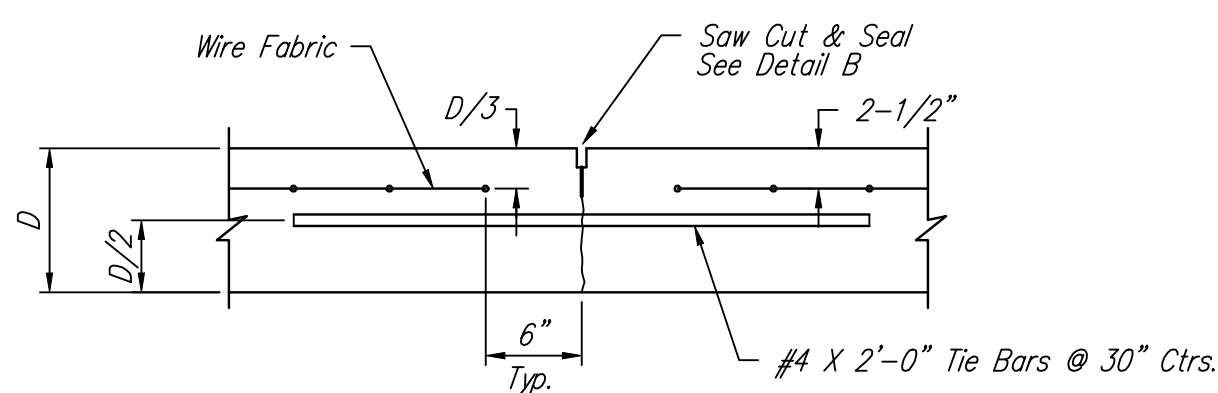
**OPTIONAL CONTRACTION JOINT (CONSTRUCTION JOINT)**



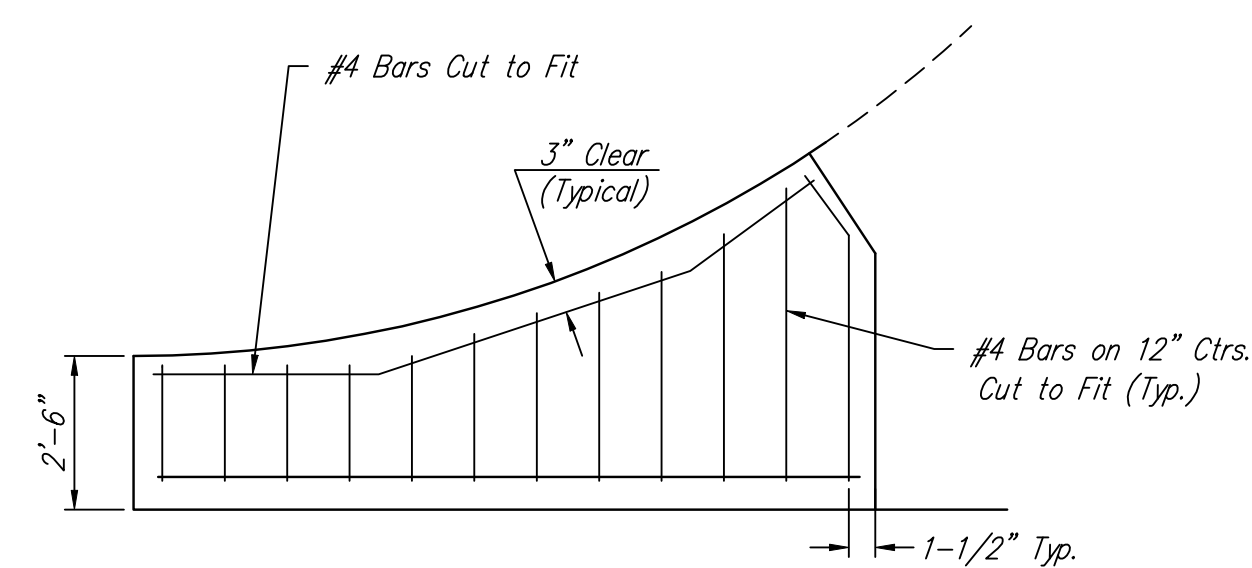
**SAW JOINT DETAIL "A"**



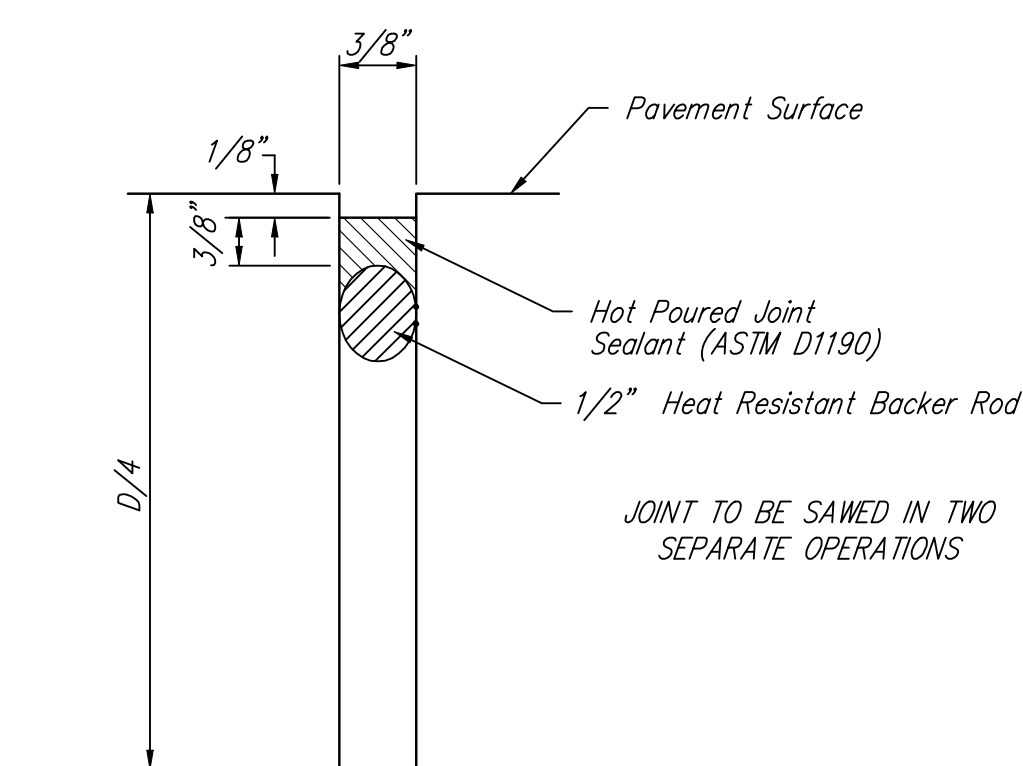
**SAKER**



**LONGITUDINAL JOINT DETAIL (L.J.)**



**WING REINFORCING DETAIL**



**SAW JOINT DETAIL "B"**

NOTE: 6" X 12" W4XW4 Wire Fabric Reinforcing Shall Be Placed So That The Wires With The 6" Spacing Will Run Parallel With The Longitudinal Joints.

**OPTIONAL LONGITUDINAL JOINT DETAIL (L.J.) (CONSTRUCTION JOINT)**

		<b>VALLEY GUTTER DETAILS</b>	
		Baughman Company, P.A. 315 Ellis St. Wichita, KS 67211 P 316-262-7271 F 316-262-0149 ENGINEERING   SURVEYING   PLANNING   LANDSCAPE ARCHITECTURE	
PROJECT NUMBER 47284265	DESIGN STAFF	DRAWN STAFF	
REVISIONS:	APPROVED	DATE	
	SCALE	NONE	
	SHEET	<b>5 OF 35</b>	
FalconFalls2ndPhII/Vgdetail		0601-E463	