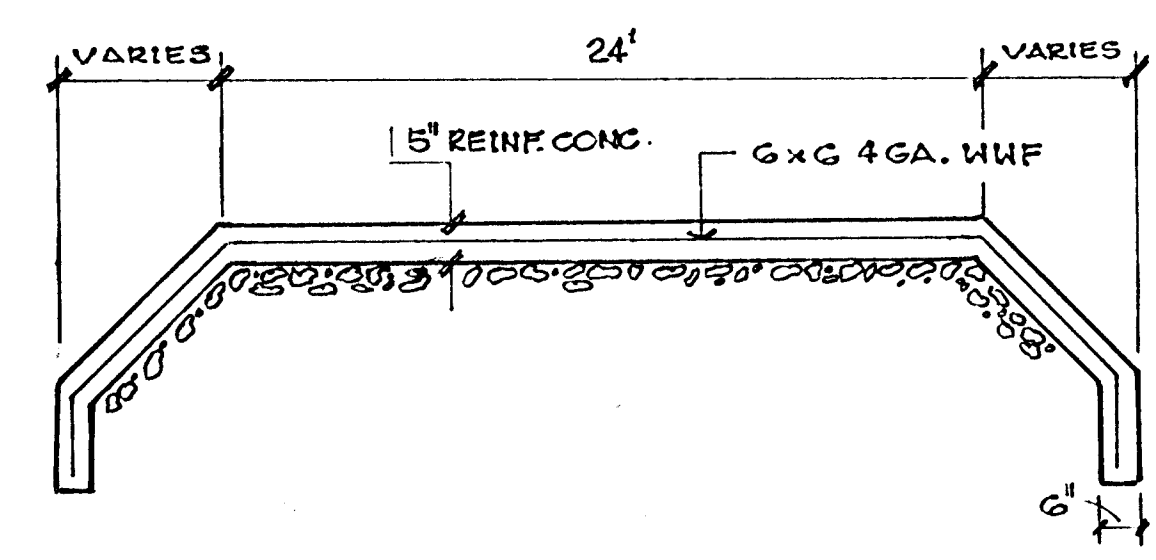
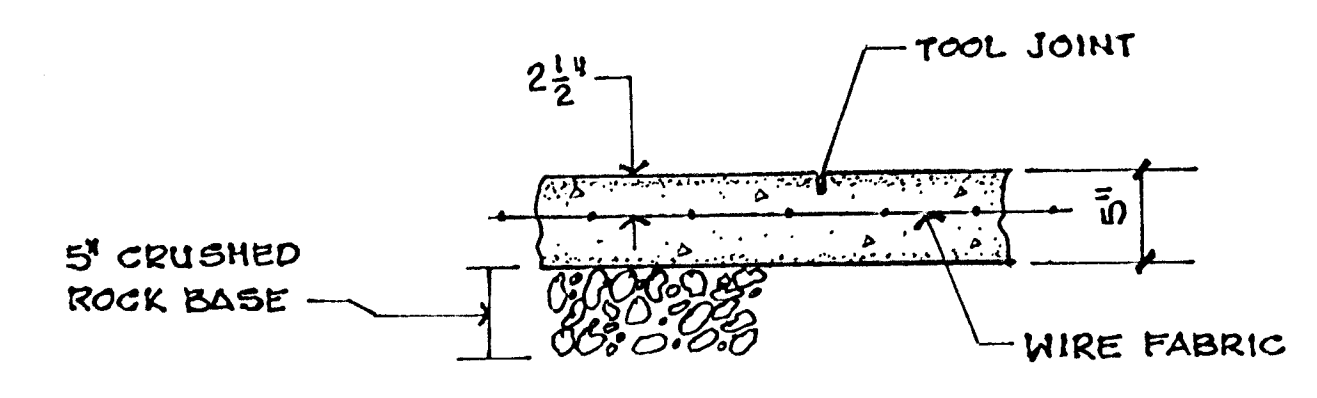


B.M. 1300.08 CITY STD. ON SIDEWALK N.E. CORNER  
LEWIS ST. BRIDGE OVER BIG ARKANSAS RIVER.

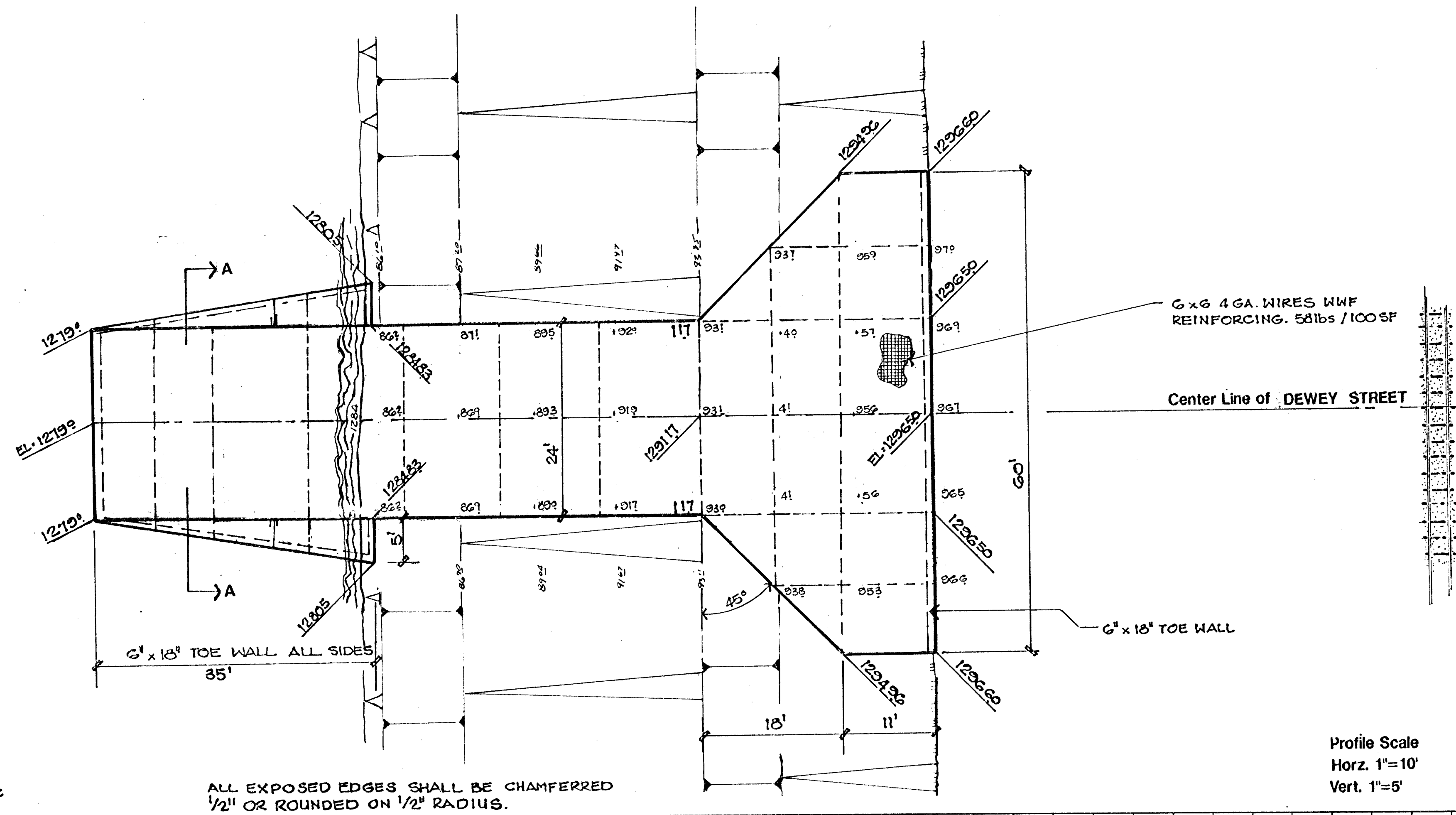


SECTION A - A  
No Scale

POOL ELEVATION 1284



BIG ARKANSAS RIVER



ALL EXPOSED EDGES SHALL BE CHAMFERED  
1/2" OR ROUNDED ON 1/2" RADIUS.

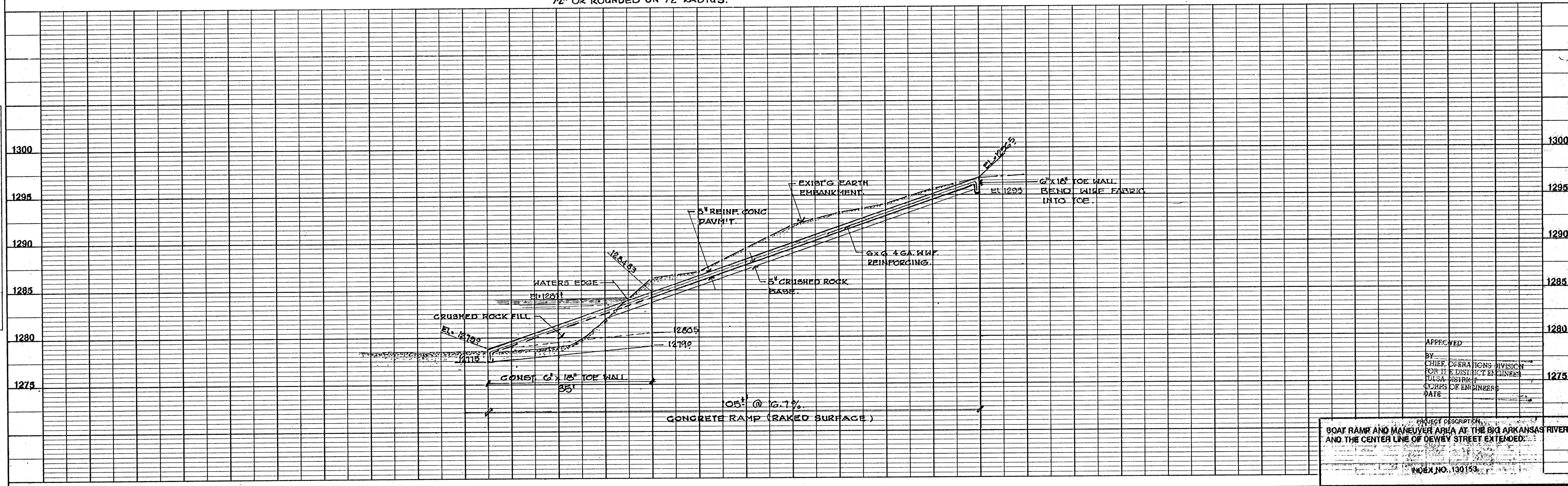
Profile Scale  
Horz. 1"=10'  
Vert. 1"=5'

PLAN

|          |  |
|----------|--|
| DATE     |  |
| BY       |  |
| CHECKED  |  |
| APPROVED |  |
| NO.      |  |

PROFILE

|          |  |
|----------|--|
| DATE     |  |
| BY       |  |
| CHECKED  |  |
| APPROVED |  |
| NO.      |  |



APPROVED  
BY  
CHIEF OPERATIONS DIVISION  
FOR THE DISTRICT ENGINEER  
CALIFORNIA DISTRICT  
CORPS OF ENGINEERS  
DATE

PROJECT DESCRIPTION  
BOAT RAMP AND MANEUVER AREA AT THE BIG ARKANSAS RIVER  
AND THE CENTER LINE OF DEWEY STREET EXTENDED

INDEX NO. 130153