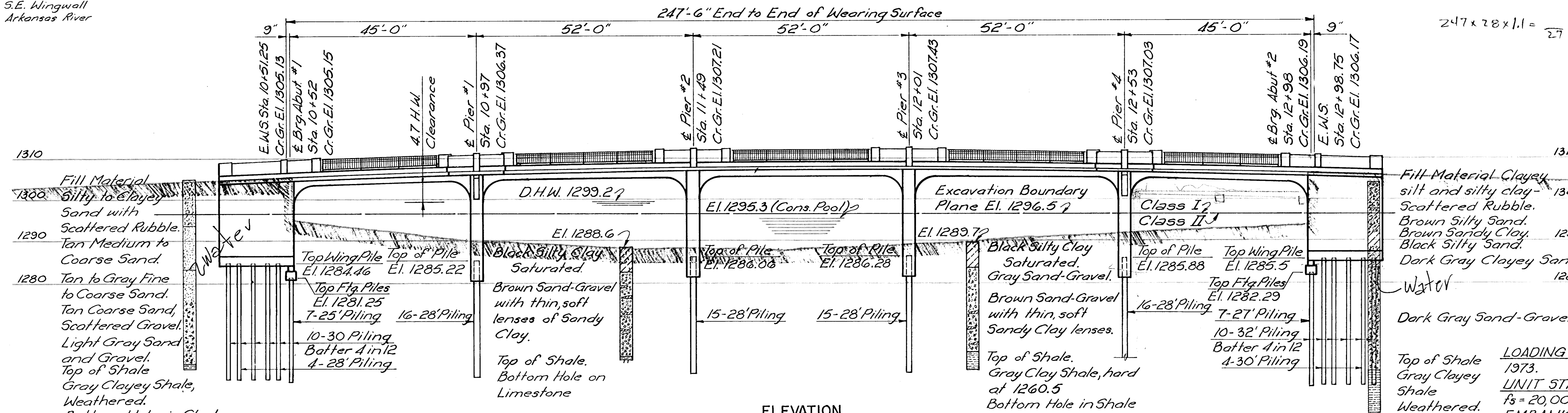


BM #1 Chis. @ S.E. End S.E. Wingwall
Nims St. Bridge @ Little Arkansas River
El. 1305.646

BM #2 RR Spike in E. Side of N. Side of
Dbl. Transformer & Power Pole Sta.
14+42.84 (Ground Level) El. 1302.025

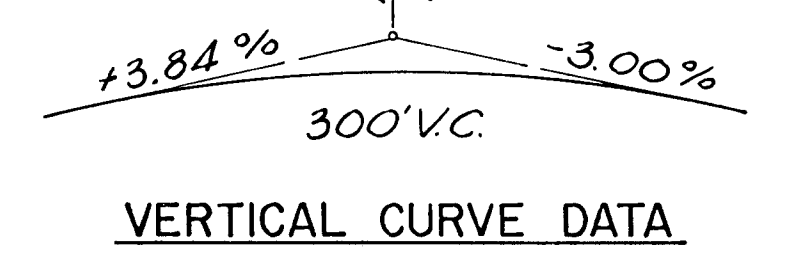
SHEET NO.	TOTAL SHEETS
4	17

Project No. DAKB 576042



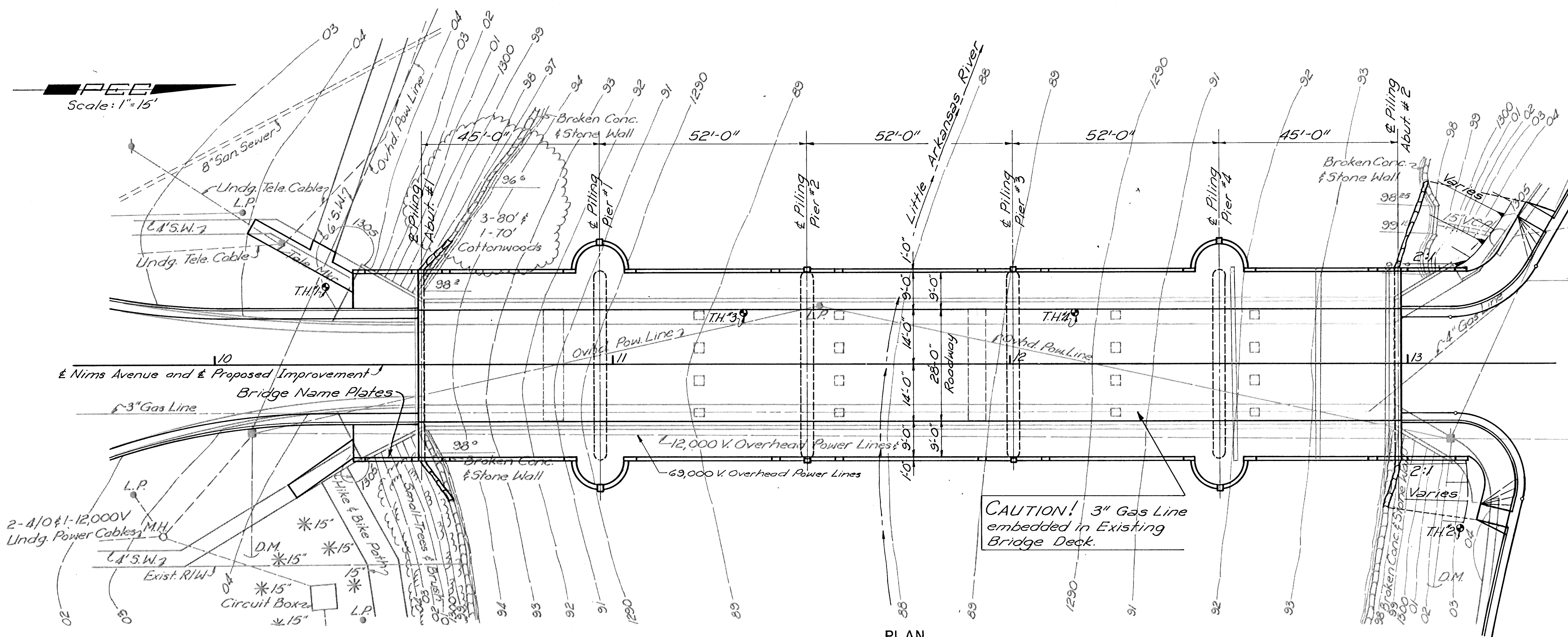
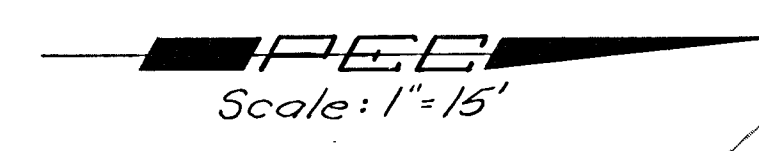
ELEVATION

45'-3" @ 52'-15" Cont. R.C. Slab spans
U-Type Abutments, Pile Bent Type Piers
28'-0" Roadway and two 8'-0" Sidewalks

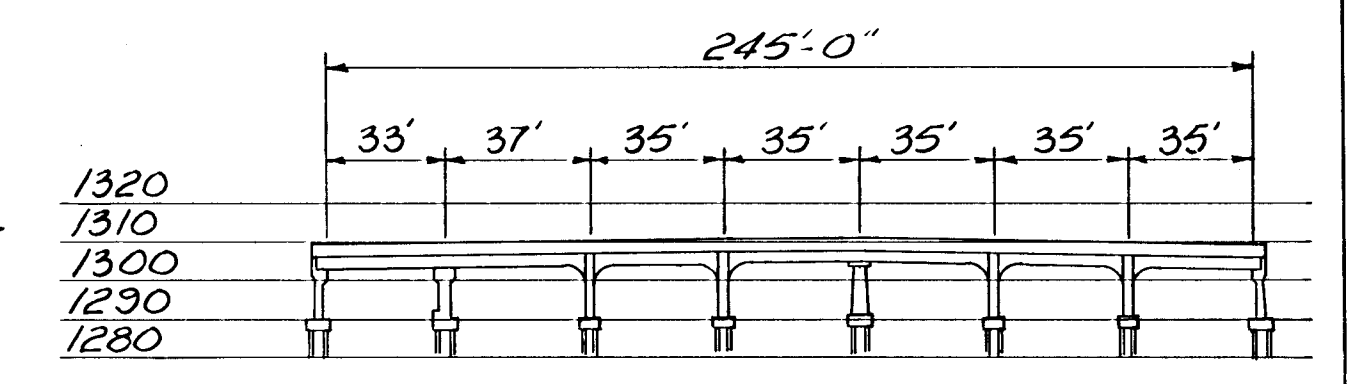


GENERAL NOTES

- LOADING:** HS 20-44 AASHTO Specifications, Edition of 1973.
- UNIT STRESSES:** $f'_c = 4,000 \text{ ps.i.}$; $f_c = 1,600 \text{ ps.i.}$; $f_s = 20,000 \text{ ps.i.}$
- EMBANKMENT:** The Contractor shall complete the embankment after the abutments have been constructed.
- BRIDGE EXCAVATION:** Elevation 1296.5 shall designate the Excavation Boundary Plane of Class I and II Excavation. Class I above the Plane, Class II below. See Bridge Excavation sheet for limits of pay excavation.
- SOUNDINGS:** The soundings shown on these plans are taken from notes obtained in the field and represent the best information to the City of Wichita Kansas. The logs of these soundings are available for review by prospective bidders at the office of the City Engineer; at the Consulting Engineer's Office, 1440 E. English, or at Allied Laboratories, 203 South Ellis.
- PILES:** All piles shall be driven to a penetration into shale unless in the opinion of the Engineer such penetration cannot be obtained without injury to the pile. All piles shall be driven to a minimum computed bearing value as follows: Abutment Wing Footings 39 Tons/Pile; Abutment Frontwall 48 Tons/Pile; Piers 51 Tons/Pile
- REMOVAL OF EXISTING STRUCTURE:** The Contractor shall remove the existing structure (7 @ 35' ± Concrete T-beam spans, concrete abutments and piers) prior to construction of the new bridge. Existing piles shall be removed to a minimum elevation of 1285.00.



PLAN



EXISTING BRIDGE

CITY OF WICHITA KANSAS
R.W. LINN, P.E. CITY ENGINEER

CONSTRUCTION LAYOUT
WOODMAN BRIDGE
OVER THE LITTLE ARKANSAS RIVER
CITY OF WICHITA PROJECT NO. DAKB 576042

PROFESSIONAL ENGINEERING CONSULTANTS, P.A.
ENGINEERS
WICHITA, KANSAS

Designed by	Checked by
Drawn by	Date
	Job No.