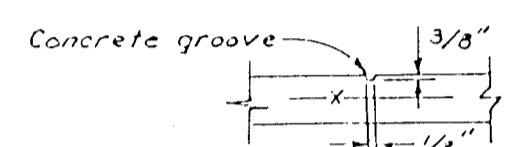
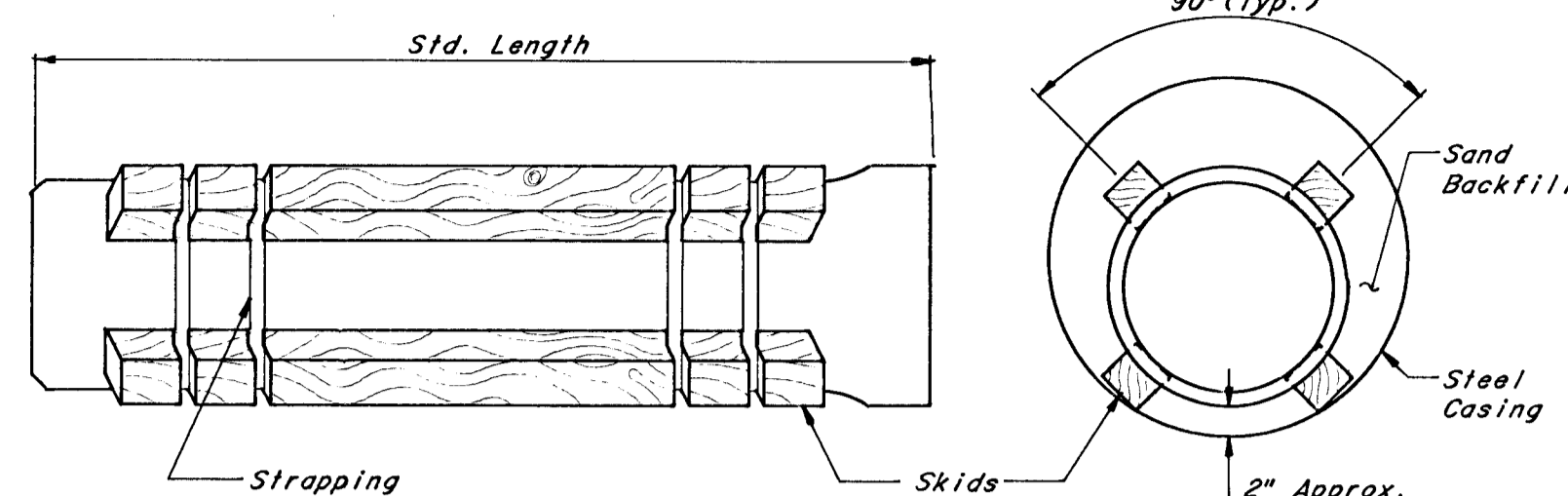


THRUST BLOCK DETAILS

LINE SIZE	FITTINGS & ANGLE θ	DIM. L	DIM. W	DIM. H
10"	90°	3'-0"	3'-0"	3'-0"
10"	45°	2'-0"	2'-0"	2'-0"
8"	90°	2'-0"	1'-6"	1'-6"
8"	45°	1'-6"	1'-6"	1'-6"
8"	22 1/2°	1'-6"	1'-6"	1'-6"
6"	90°	1'-0"	1'-0"	1'-0"
6"	45°	1'-0"	1'-0"	1'-0"
4"	90°	1'-0"	1'-0"	1'-0"
4"	45°	1'-0"	1'-0"	1'-0"

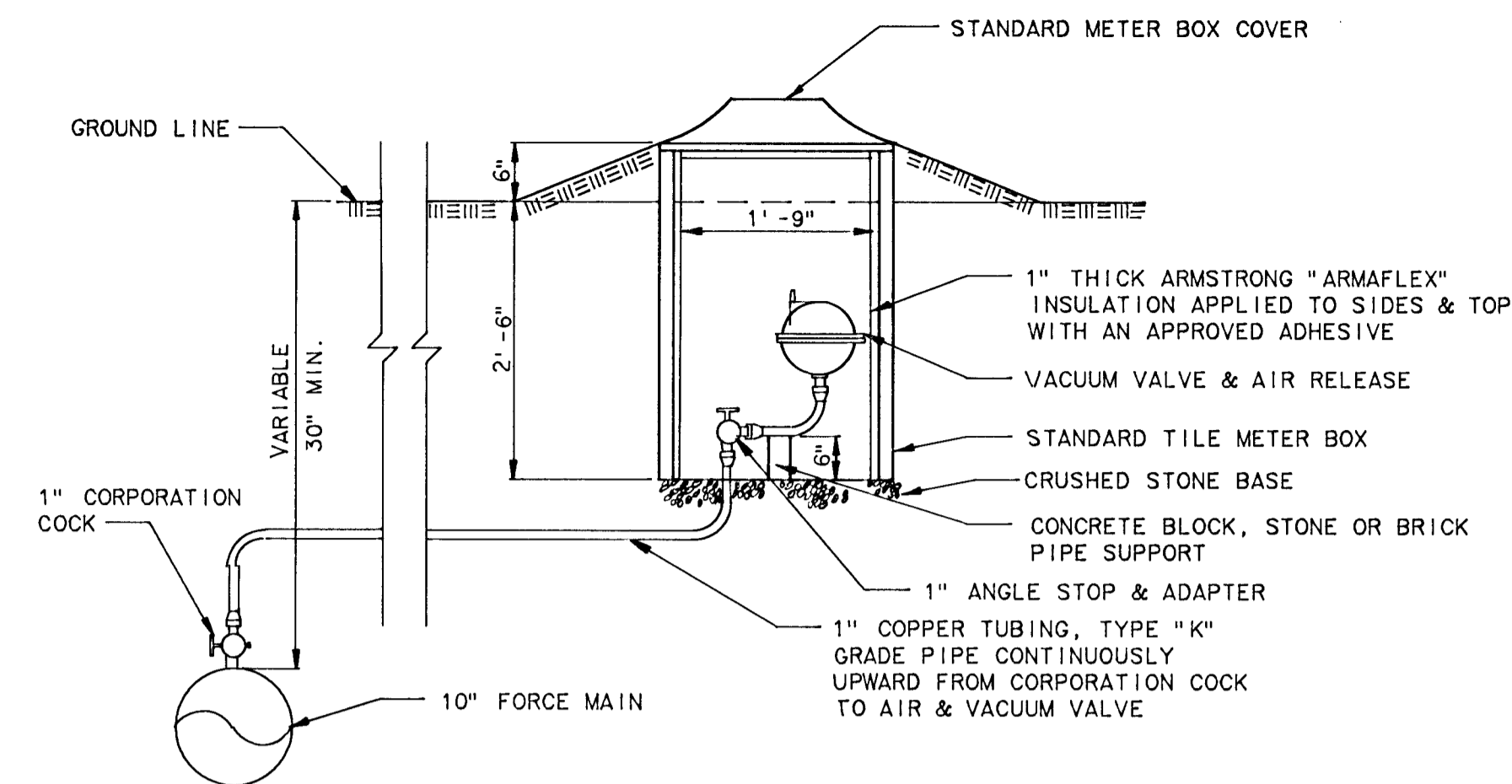


CONSTRUCTION JOINT



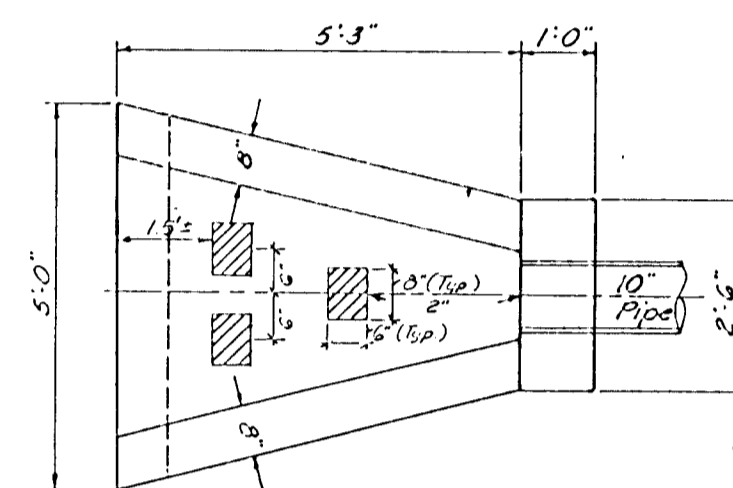
STEEL ENCASEMENT DETAIL

Note: Steel Casing dimensions are minimum I.D., see specifications for wall thickness requirements.



NOTE: AIR RELEASE VENTING CAPACITY NOT LESS THAN 15 CFM AT 100 PSI

VACUUM VALVE & AIR RELEASE ASSEMBLY



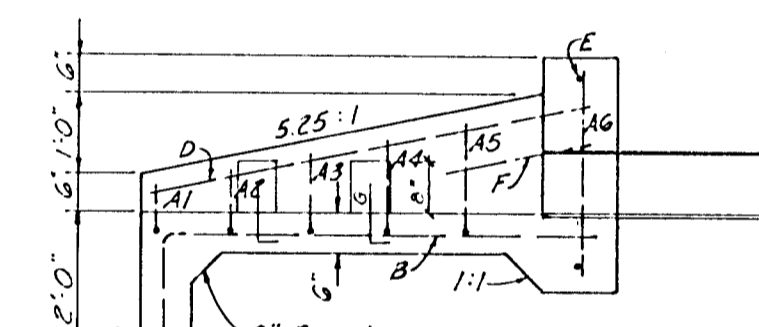
HEADWALL DETAIL FOR 10" PIPE

SCALE: 1/2" = 1'-0"

TABLE OF CONTENTS

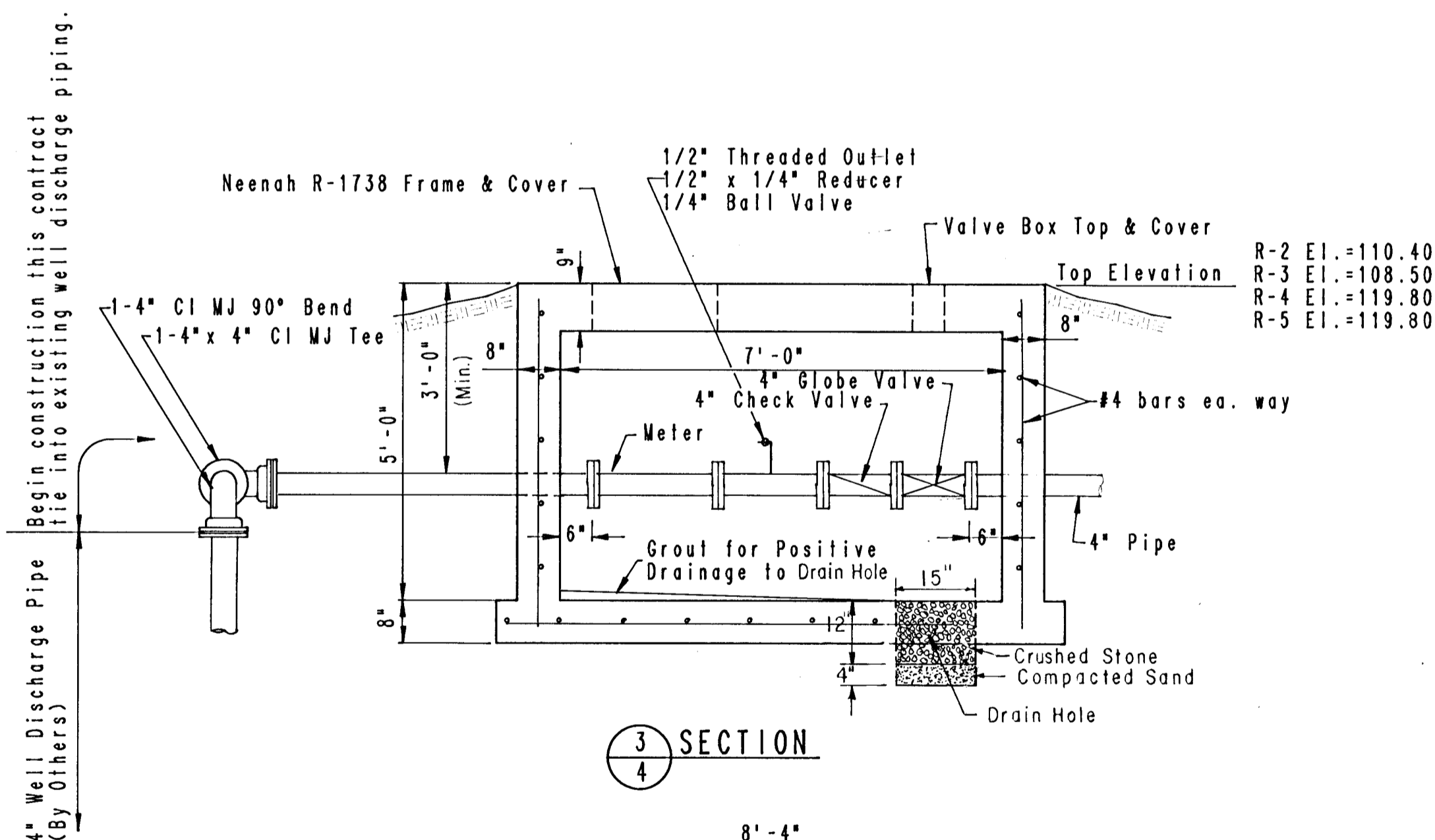
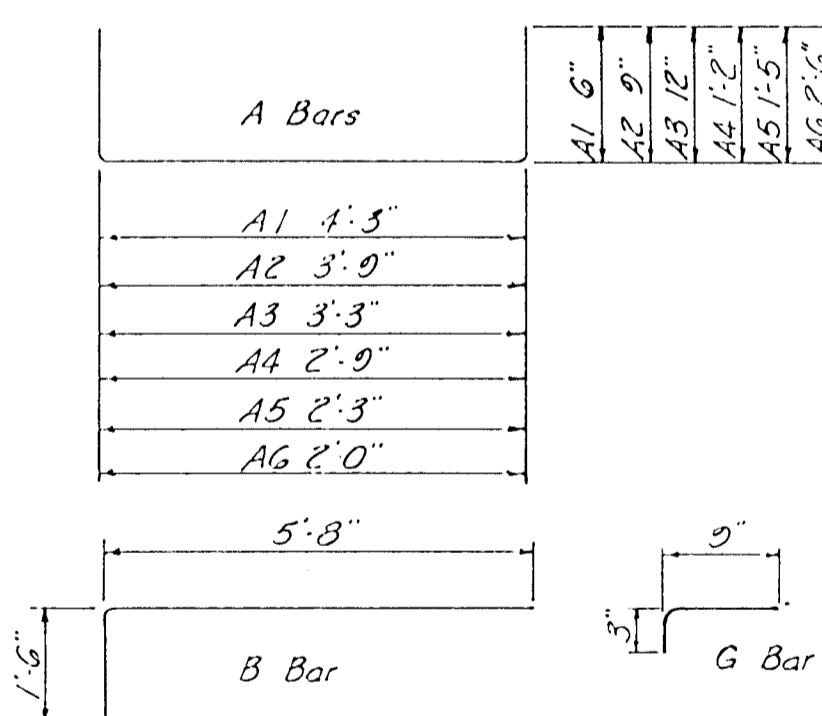
BAR	NUMBER	LENGTH	WEIGHT
A1	1	5'3"	3.50
A2	1	5'13"	3.50
A3	1	5'3"	3.50
A4	1	5'11"	3.39
A5	1	5'11"	3.39
A6	1	7'0"	4.67
B	4	7'2"	19.13
C	1	4'4"	2.89
D	2	5'10"	7.79
E	1	2'12"	1.45
F	2	2'0"	2.67
G	6	1'0"	4.00
TOTAL REBAR, lbs.			59.88
CONCRETE, CY			1.12

ALL REBARS TO BE #4

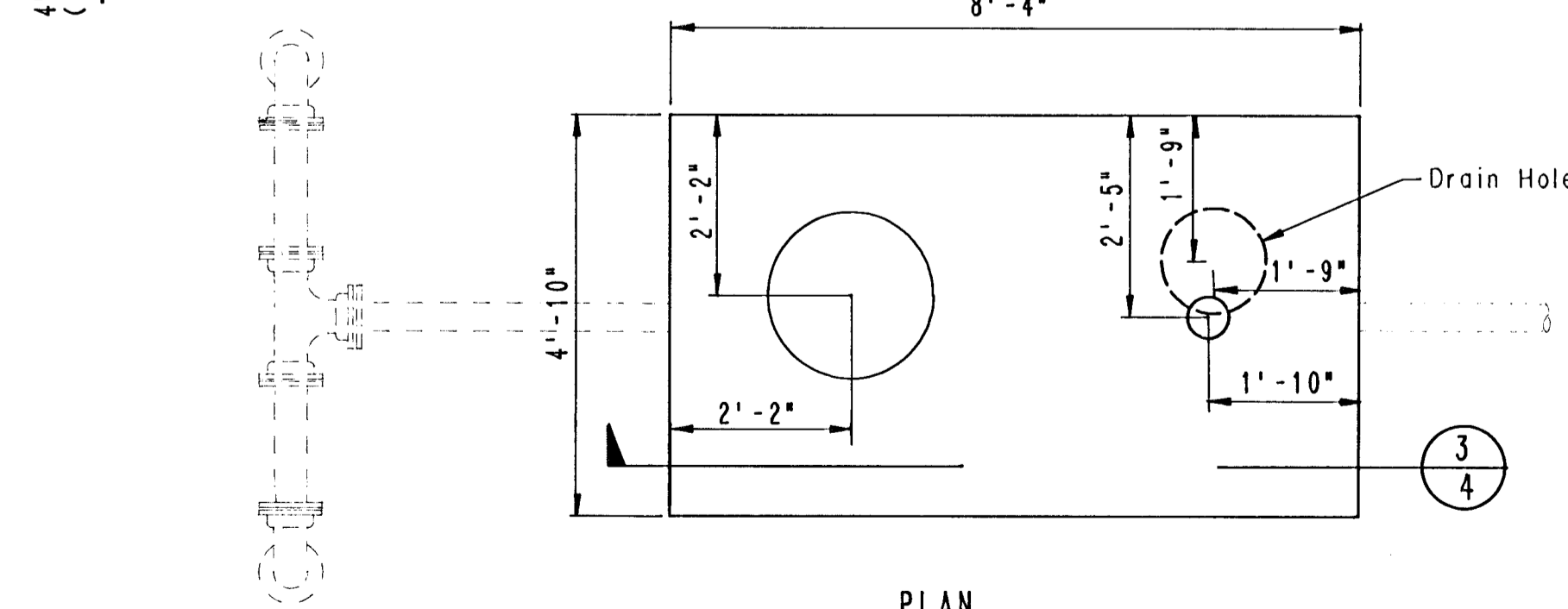


SECTION

SCALE: 1/2" = 1'-0"

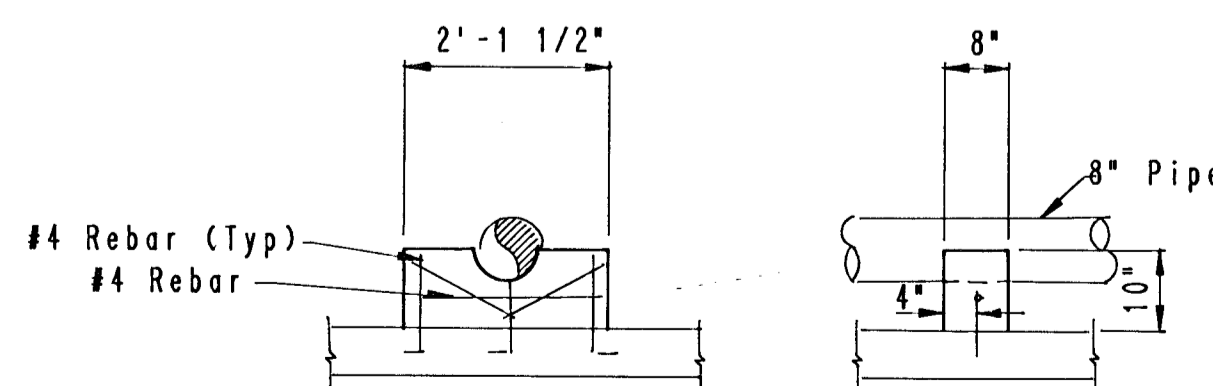


SECTION



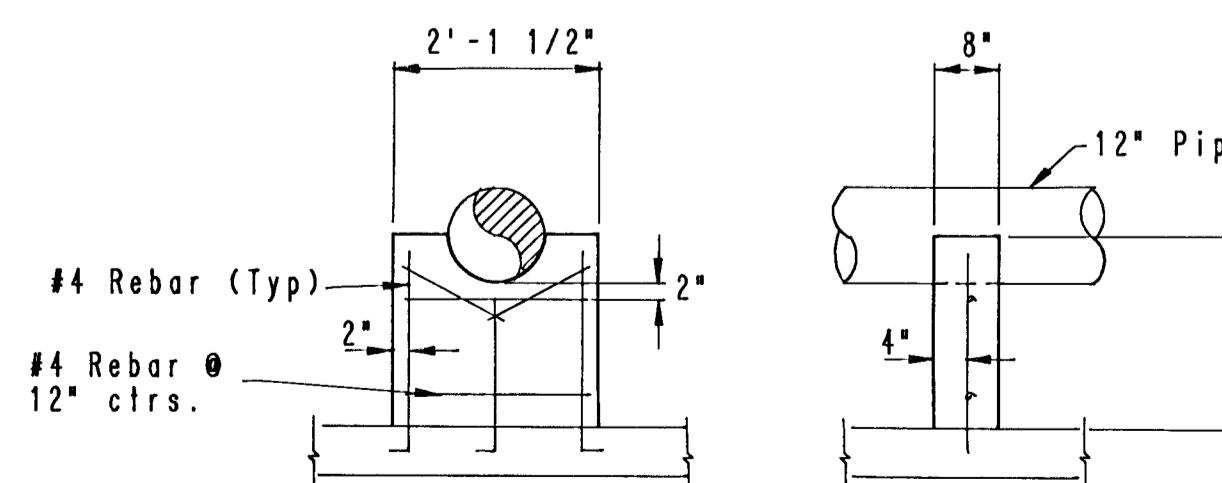
PLAN FLOW METER VAULT DETAIL

Scale: 1/2" = 1'-0"



8" PIPE SUPPORT

1/2" = 1'-0"

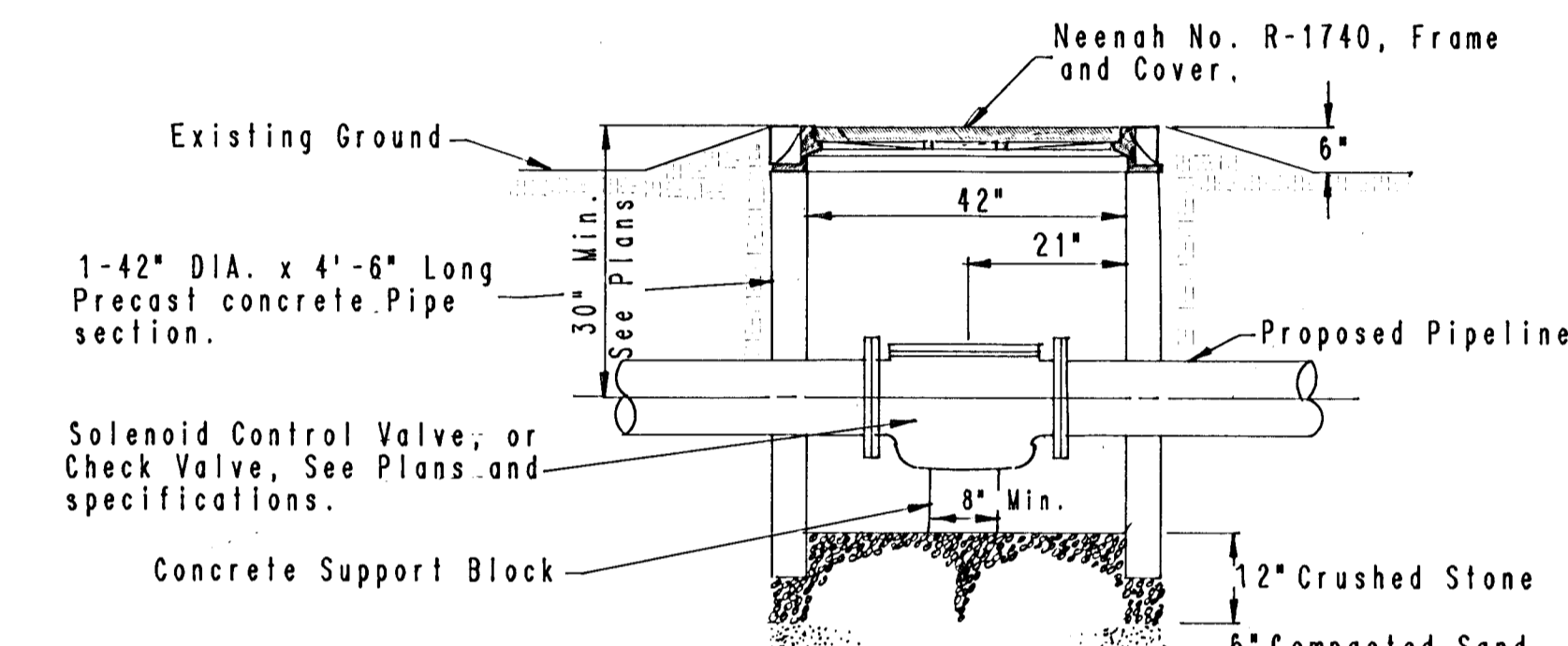


12" PIPE SUPPORT

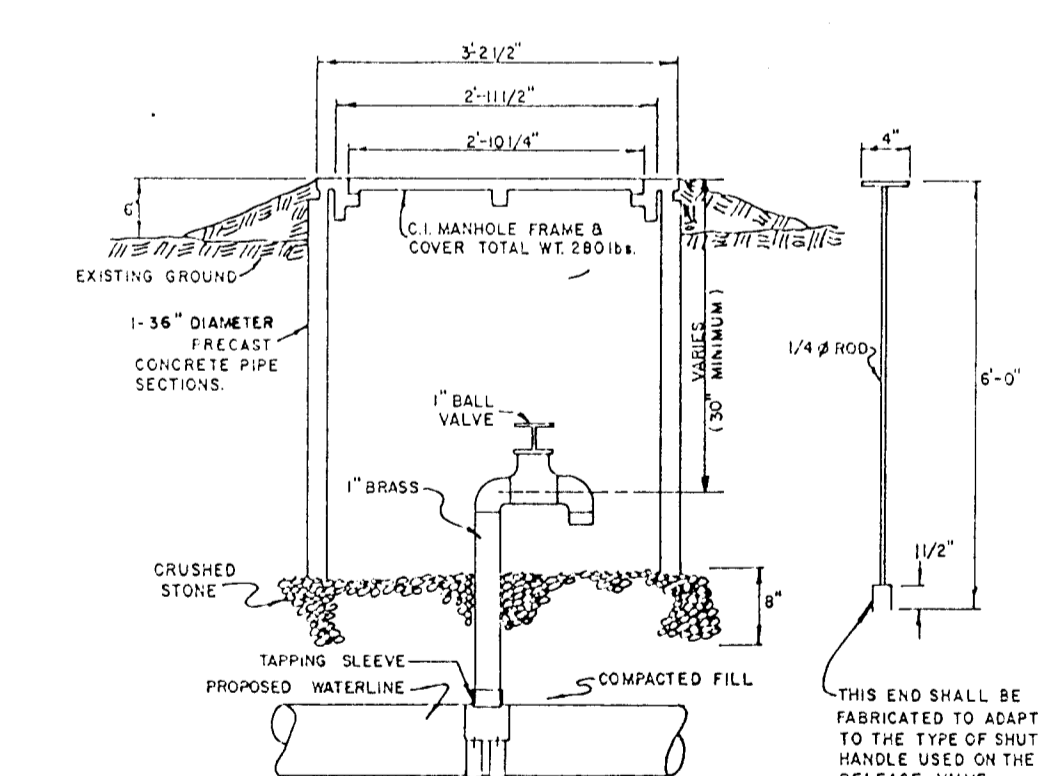
1/2" = 1'-0"

NOTES:

1. Provide a bond breaker between concrete support and pipe.
2. All exposed edges shall have a 3/4" chamfer.
3. The Contractor shall submit for review any modifications to the pipe support height and saddle configuration as required.



VALVE VAULT DETAIL



AIR RELEASE VALVE ASSEMBLY

No.	Revision	By	Date
CESSNA WATER WITHDRAWAL			
<b>MISCELLANEOUS DETAILS</b>			
PROFESSIONAL ENGINEERING CONSULTANTS, P.A. ENGINEERS WICHITA, KANSAS			
Designed by <i>MDS, CRY</i>	Job No. <i>34-07642</i>	Sht. 4 of 20	
Drawn by <i>TDS</i>	Date <i>August, 1988</i>		