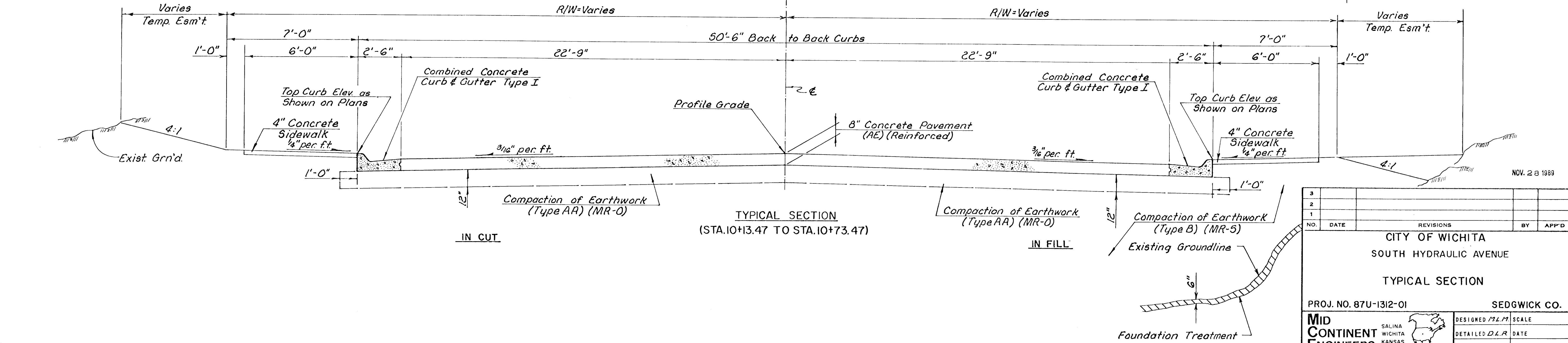
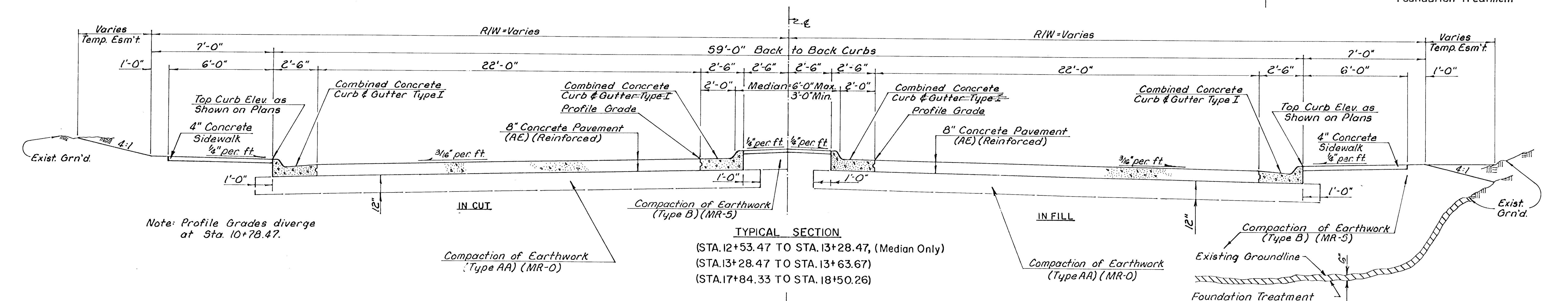
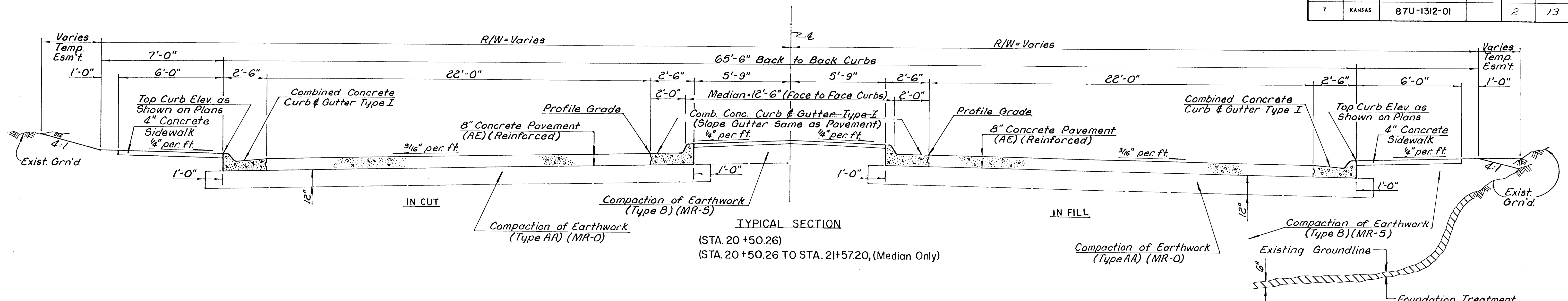


F.H.W.A. REGION NO.	STATE	PROJECT NO.	FISCAL YEAR	SHEET NO.	TOTAL SHEETS
7	KANSAS	87U-1312-01		2	13



3					
2					
1					
NO.	DATE	REVISIONS	BY	APP'D	
CITY OF WICHITA SOUTH HYDRAULIC AVENUE TYPICAL SECTION					
PROJ. NO. 87U-1312-01			SEDGWICK CO.		
MID CONTINENT ENGINEERS SALINA WICHITA KANSAS		DESIGNED P.L.M. SCALE DETAILED D.L.R. DATE		QUANTITIES SHEET ___ OF ___	

NOV. 28 1989