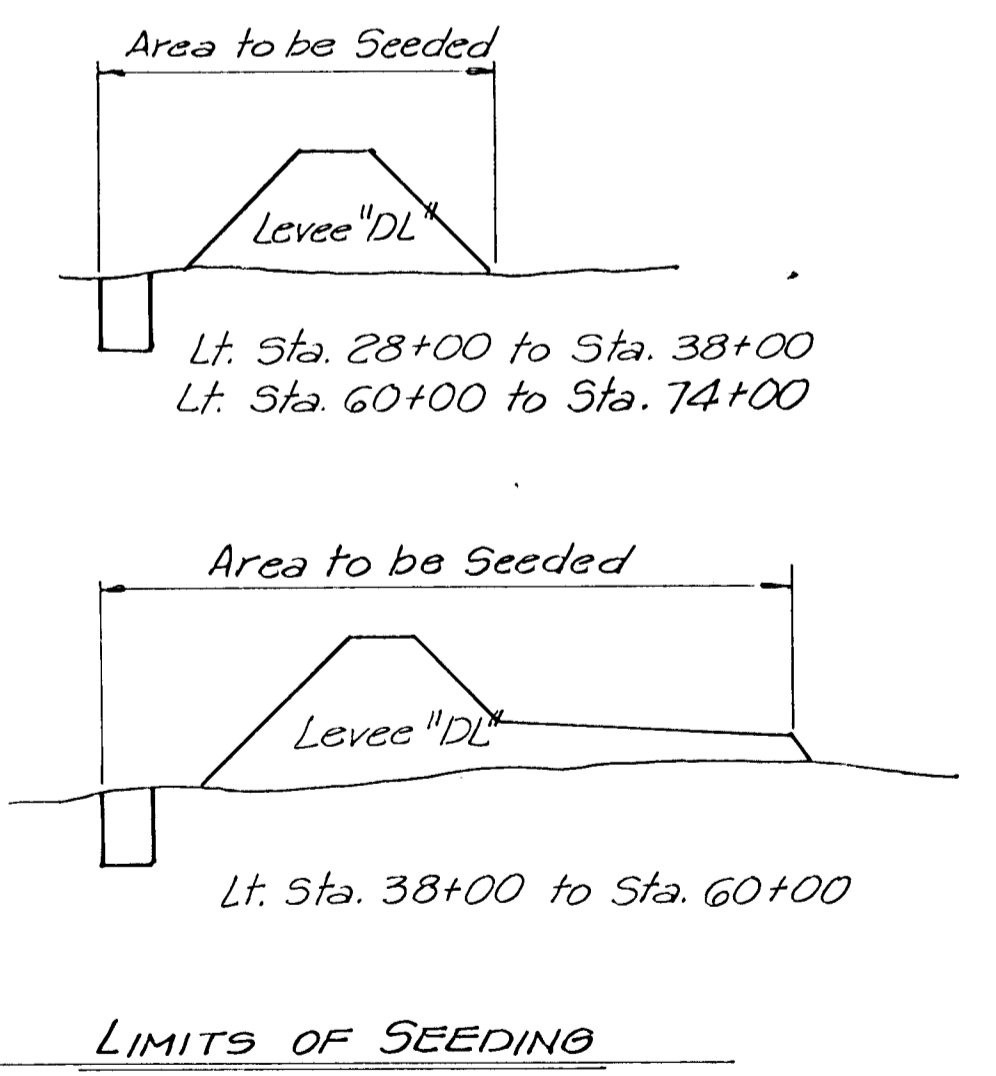
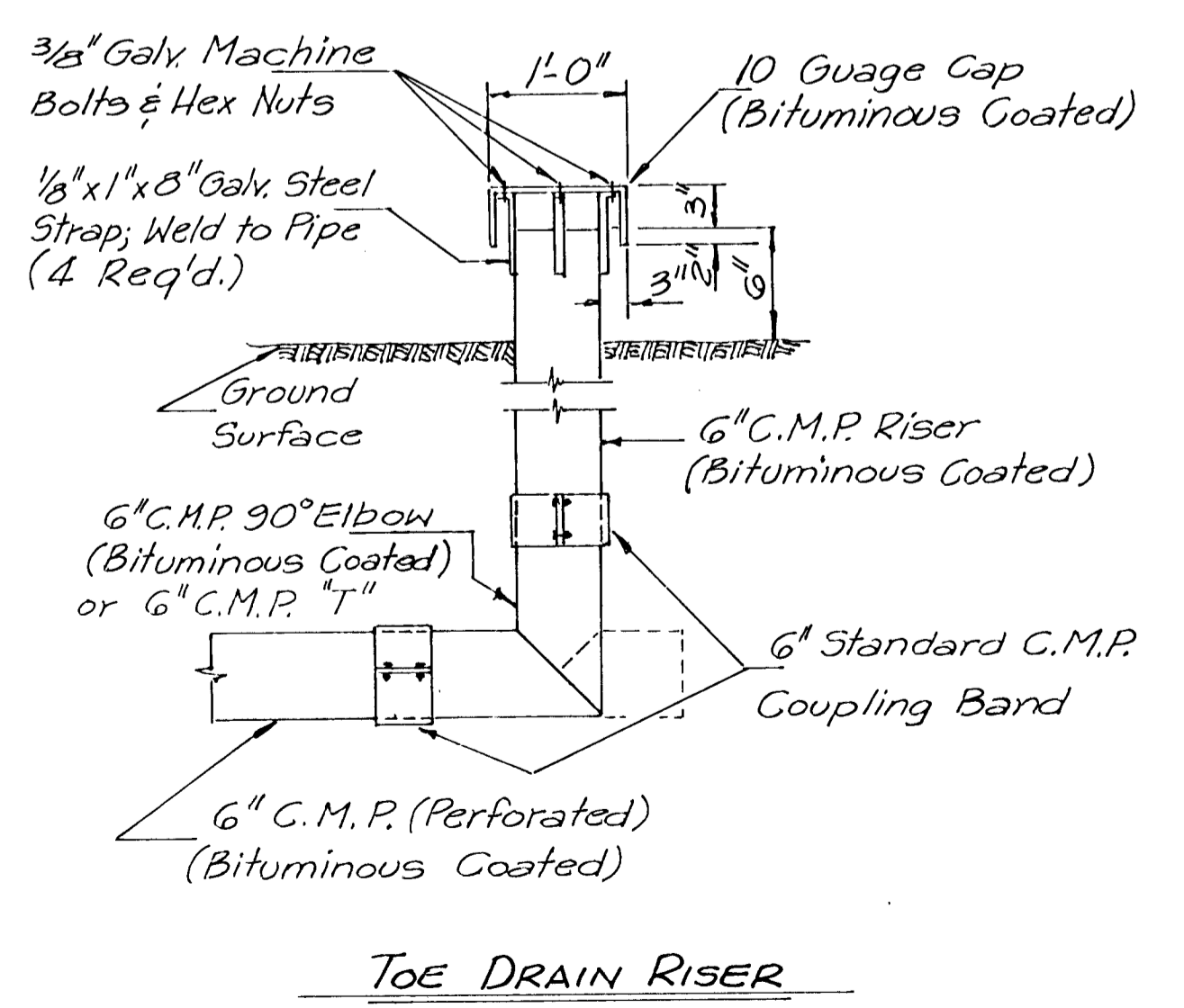
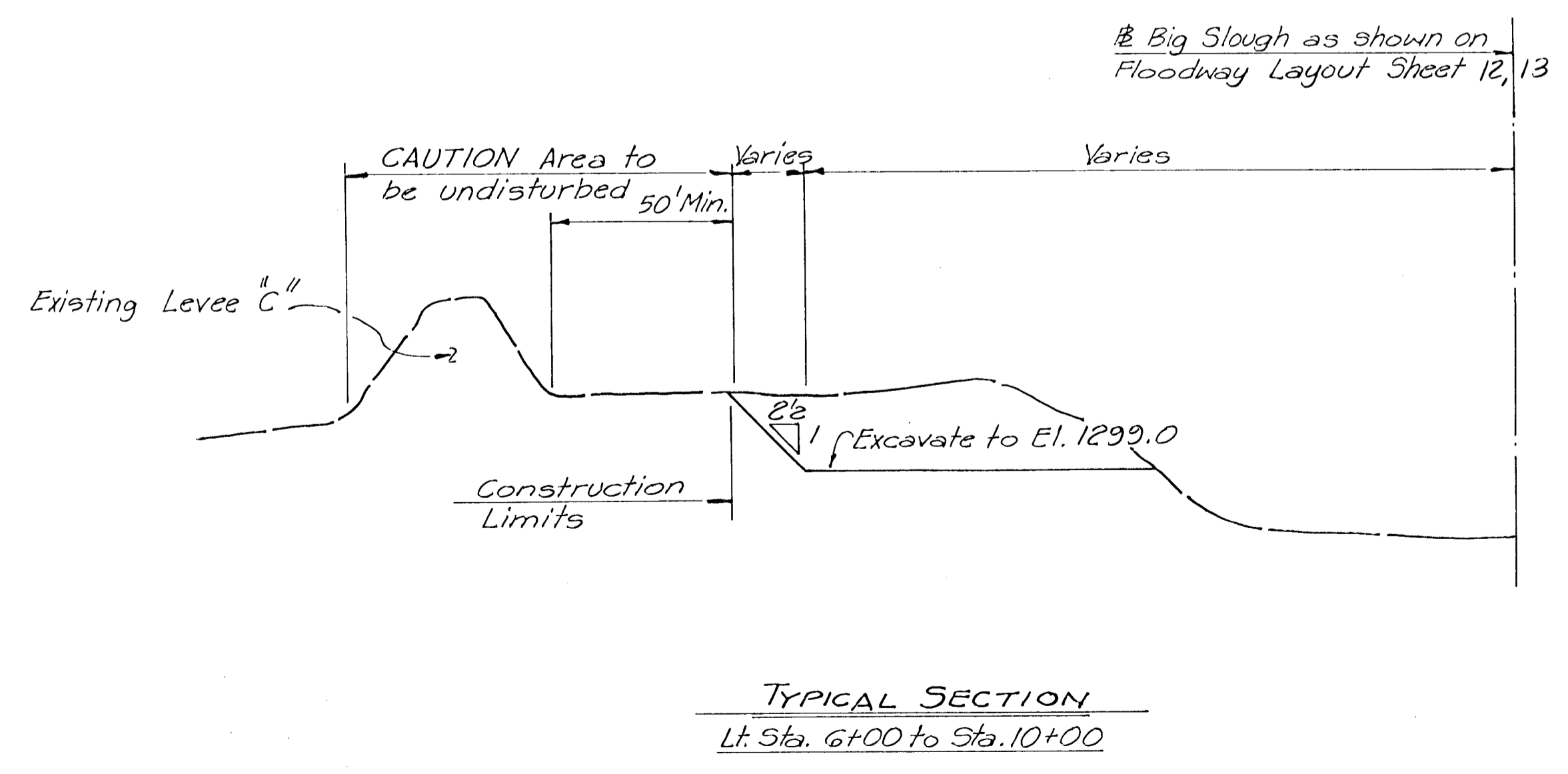
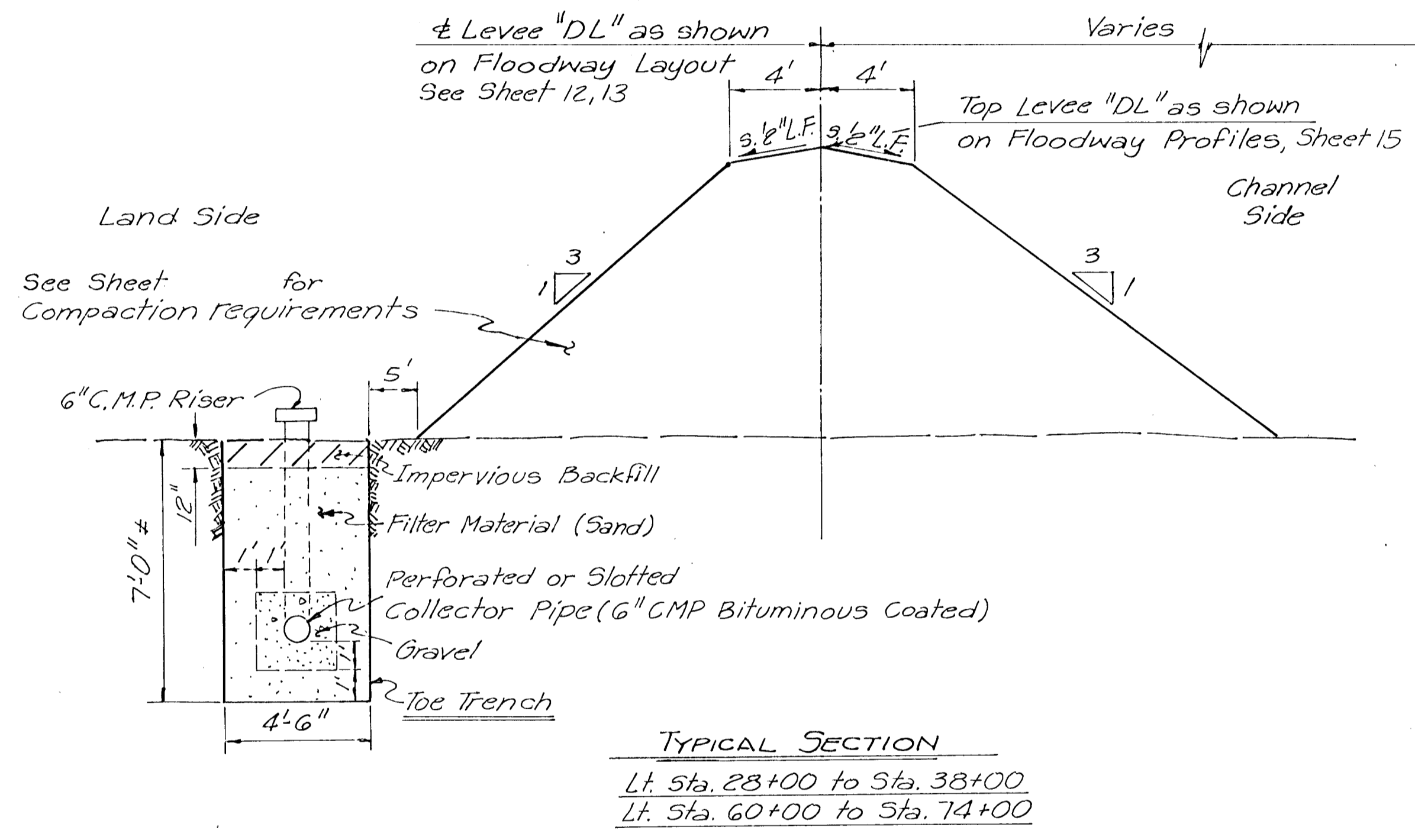
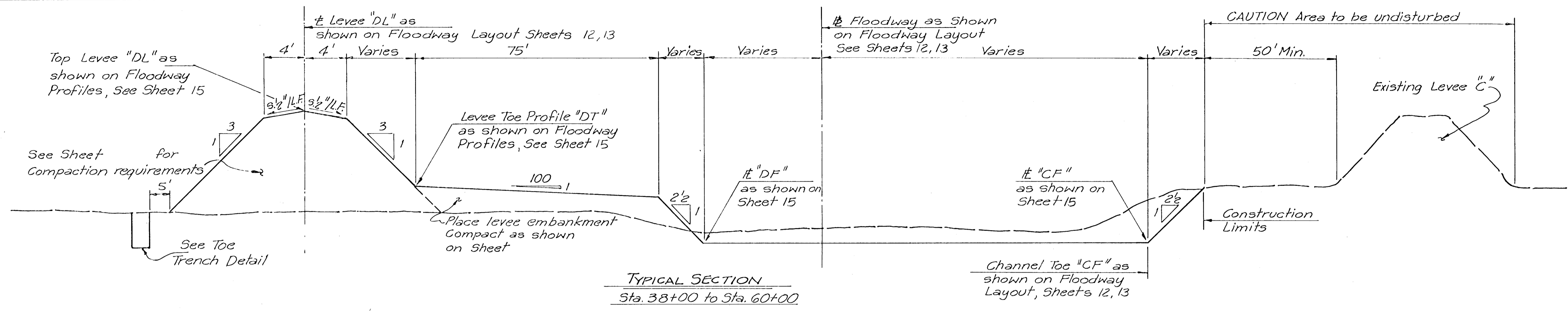


FWWA REGION NO.	STATE	PROJECT NO.	SHEET NO.	TOTAL SHEETS
		870-1187-01	14	34



See Sheet for Notes.
See Sheet 15 for Floodway Profiles
See Sheet 12, 13 for Floodway Layout

APP.
CND.
TR.
DR.
DES.
PLOT.
SURV.

CITY OF WICHITA

MAPLE STREET BRIDGE
FLOODWAY SECTIONS

CITY OF WICHITA PROJ. NO. 472-76-245-81719-000-000-001

Booker/Freund
Engineers Architects Planners

SCALE _____ DATE _____ DWG. NO. K-9280