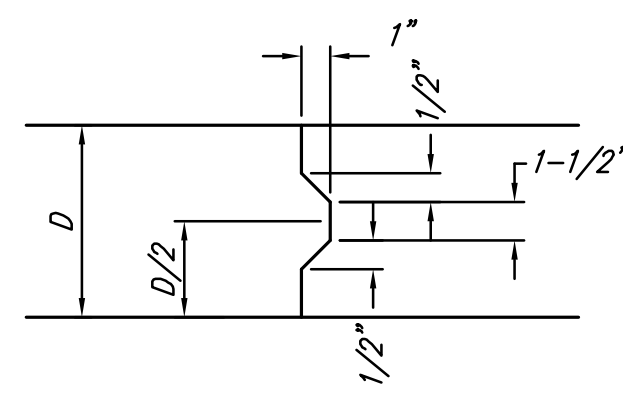
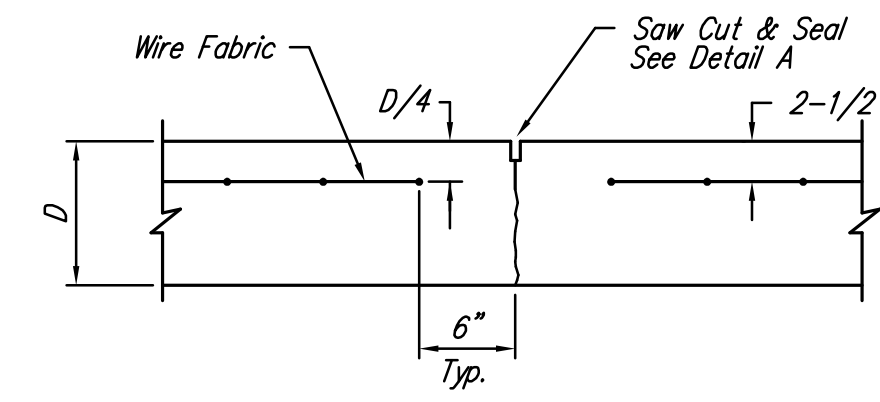


**EXPANSION JOINT**

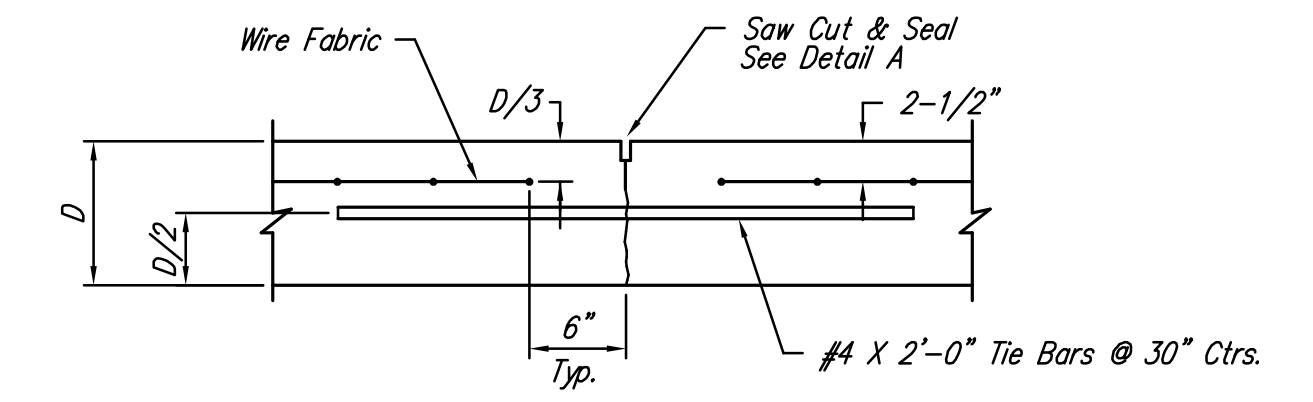
NOTE: Extra Thickness to be Subsidiary to Price of Square Yards Pavement



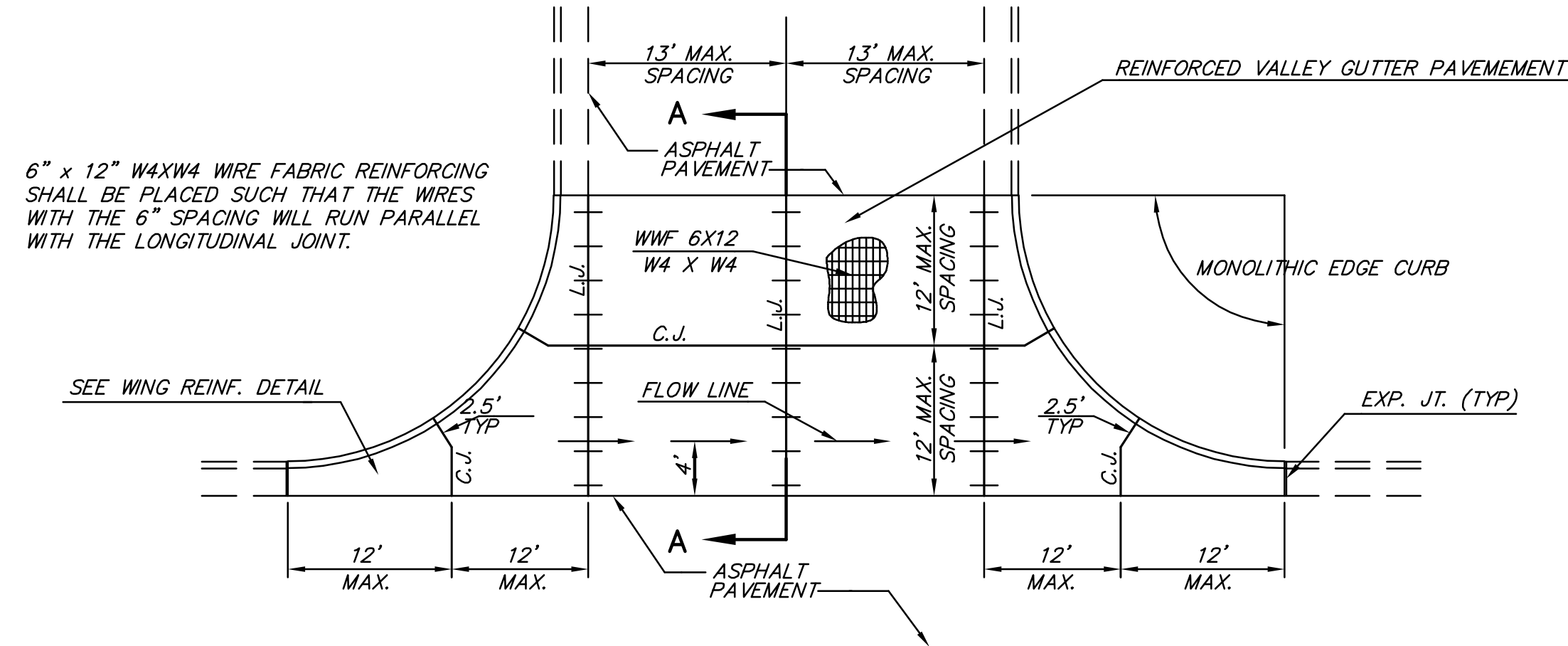
**KEYWAY DETAIL**



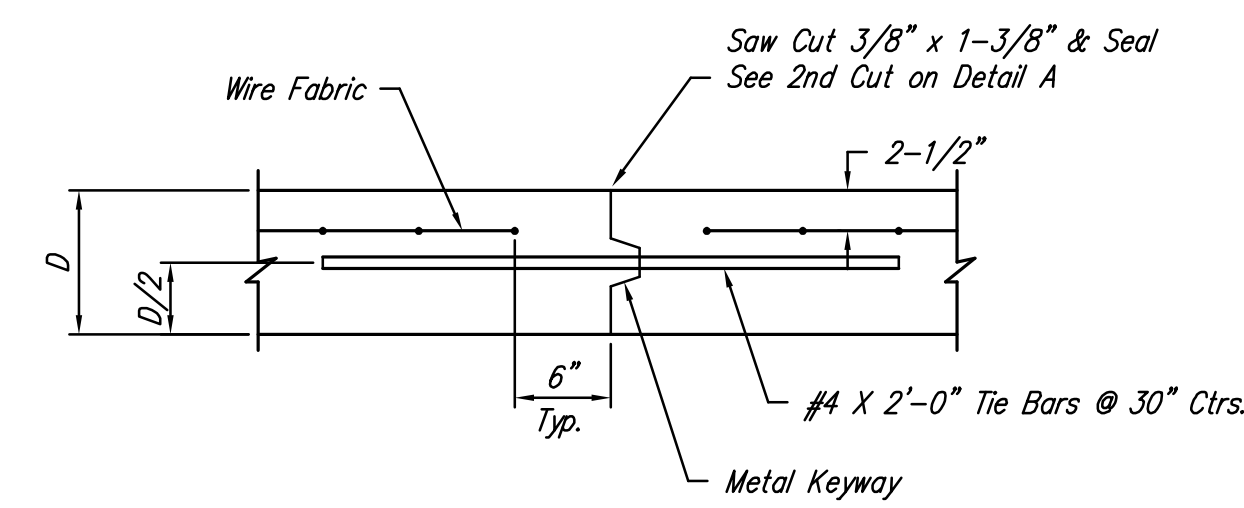
**CONTRACTION JOINT DETAIL (C.J.)**



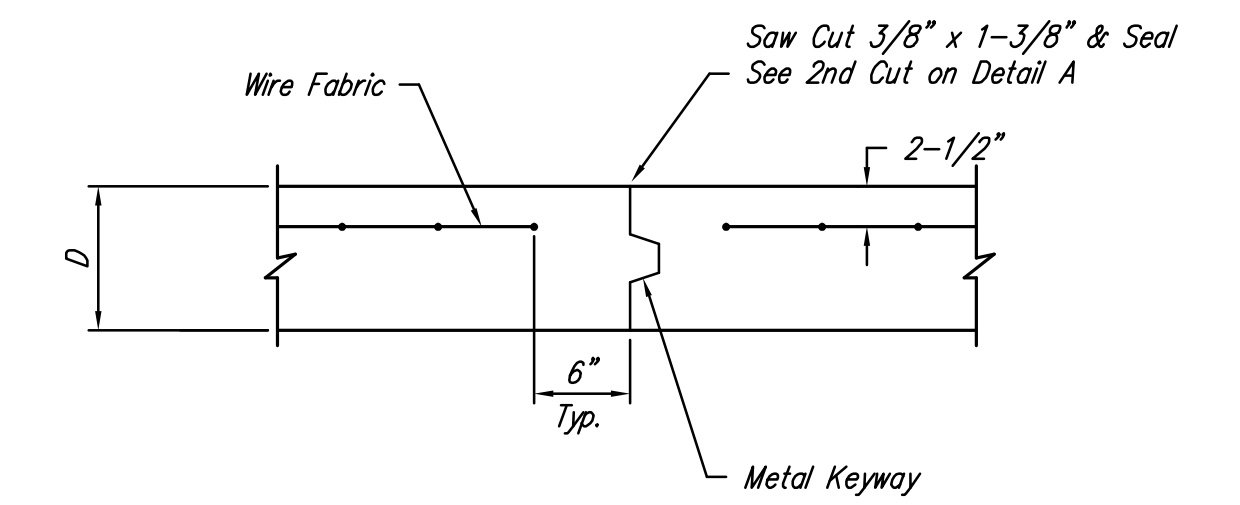
**LONGITUDINAL JOINT DETAIL (L.J.)**



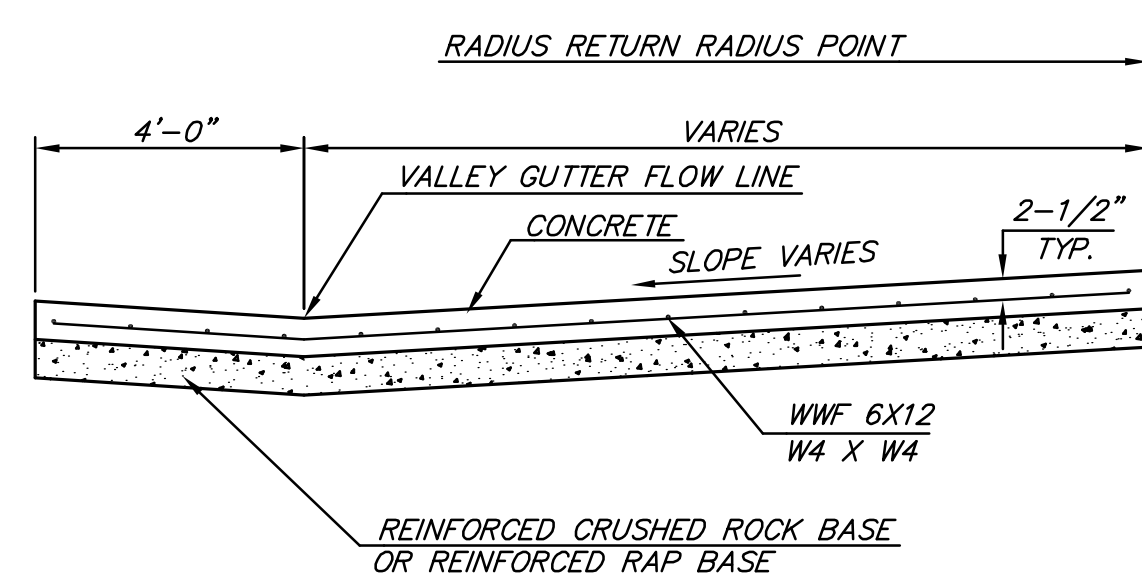
**PLAN**



**OPTIONAL CONTRACTION JOINT**

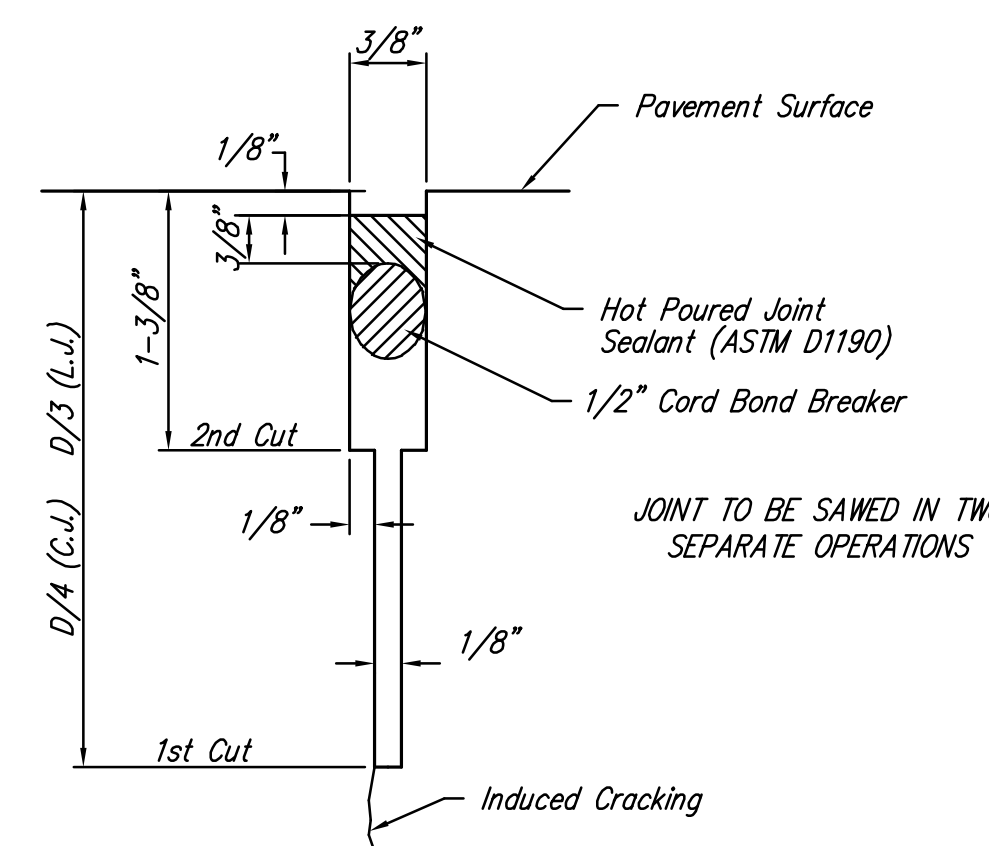


**OPTIONAL LONGITUDINAL JOINT DETAIL (L.J.)**

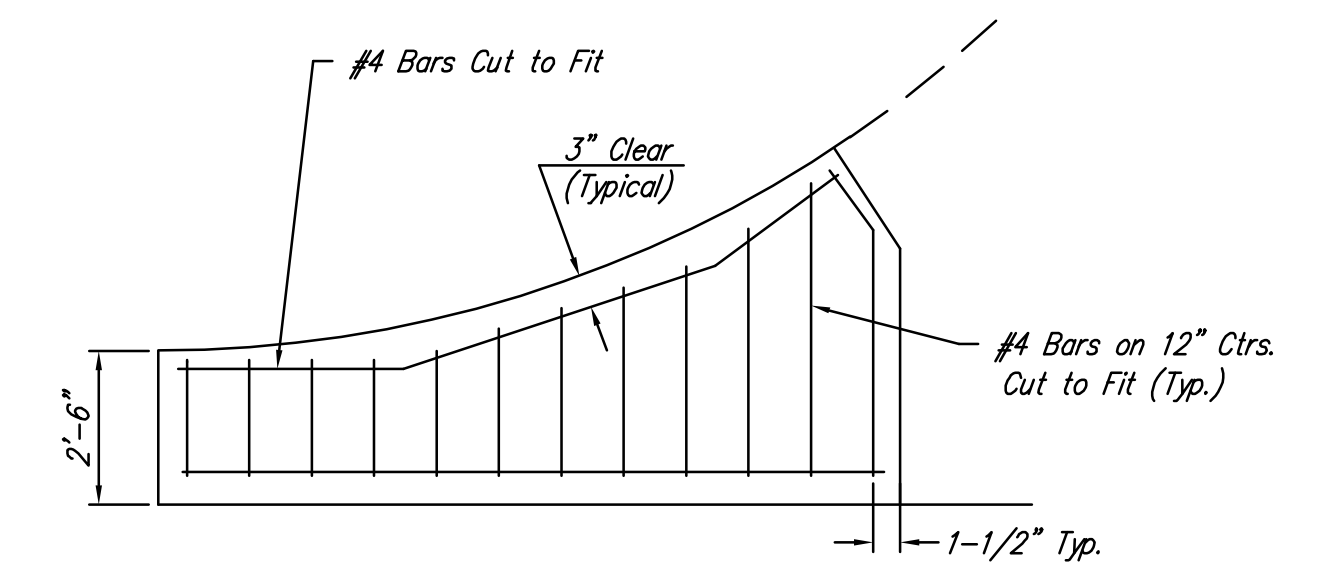


**SECTION A-A**

**REINFORCED VALLEY GUTTER DETAIL**



**SAW JOINT DETAIL**



**WING REINFORCING DETAIL**

H:\CIVIL\04071\DWG\PAV\PH1\04071ED2	<b>THE CITY OF WICHITA</b>	
	<b>CITY ENGINEER'S OFFICE</b> CITY HALL - SEVENTH FLOOR 455 NORTH MAIN STREET WICHITA, KANSAS 67202 (316) 268-4501 (316) 268-4114 FAX	
	<b>VALLEY GUTTER DETAILS</b>	
JAMES L. ARMOUR, P.E. - CITY ENGINEER		
PROJECT NUMBER 472-84052		OCA NUMBER 766167
DATE NOV 07		SHEET 3 OF 22