

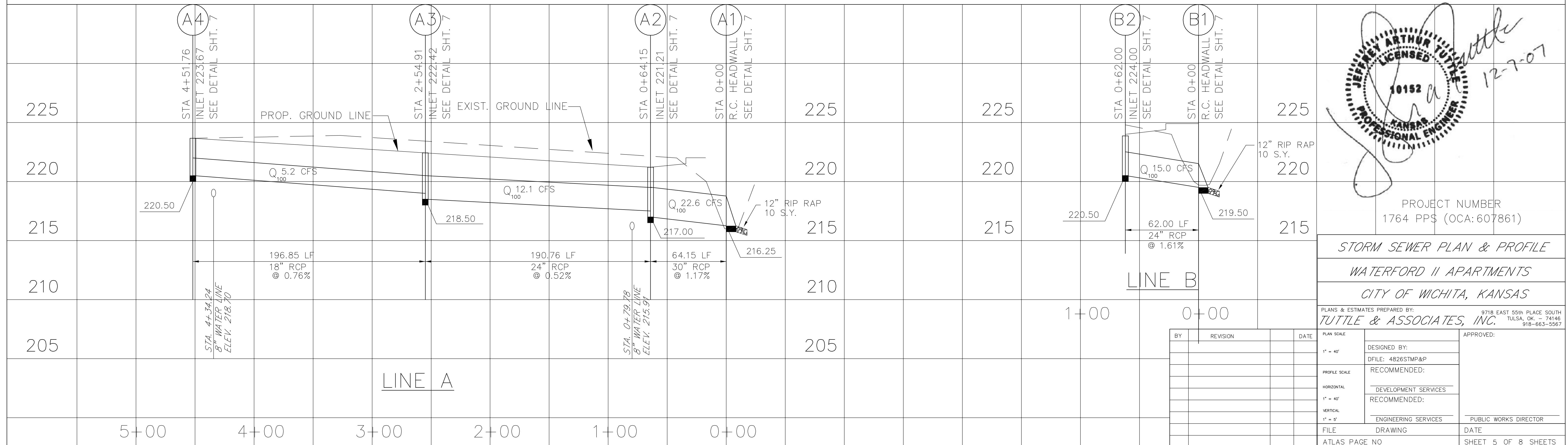
SCALE: 1" = 40'

**AS-BUILT PLANS**

**CONTRACTOR :** A. & F. EXCAVATING

**INSPECTOR :** TUTTLE & ASSOCIATES, INC.  
JEFFREY A. TUTTLE

**.pdf by :** J.T. 11-28-07



**JEFFREY ARTHUR TUTTLE**  
LICENSED PROFESSIONAL ENGINEER  
KANSAS  
10152  
12-7-07

PROJECT NUMBER  
1764 PPS (OCA:607861)

**STORM SEWER PLAN & PROFILE**  
**WATERFORD II APARTMENTS**  
**CITY OF WICHITA, KANSAS**

PLANS & ESTIMATES PREPARED BY:  
**TUTTLE & ASSOCIATES, INC.**  
9718 EAST 55th PLACE SOUTH  
TULSA, OK. - 74146  
918-663-5567

BY	REVISION	DATE

PLAN SCALE 1" = 40'	DESIGNED BY: DFILE: 4826STMP&P	APPROVED:
PROFILE SCALE 1" = 40'	RECOMMENDED: DEVELOPMENT SERVICES	PUBLIC WORKS DIRECTOR
VERTICAL 1" = 5'	RECOMMENDED: ENGINEERING SERVICES	
FILE DRAWING	DATE	
ATLAS PAGE NO	DATE	SHEET 5 OF 8 SHEETS