

STATE	PROJECT NO.	YEAR	SHEET NO.	TOTAL SHEETS
KANSAS	54-87 K-6657-01	2002	583	1122

GENERAL NOTES

ABUTMENT STRIP DRAIN: The Bridge Contractor shall excavate to the limits shown on the Bridge Excavation sheet, grade the bottom of the backfill area, place the strip drain, and place the perforated pipe, the outlet pipe, and the backfill.

BRIDGE BACKWALL PROTECTION SYSTEM: Apply a Bridge Backwall Protective System to the approach side of the abutments and the wings in accordance with KDOT Specifications and the manufacturer's recommendations. Cover the abutments and wings to the limits shown on the details. Prior to backfilling, repair any damage done to the system at no charge to the state.

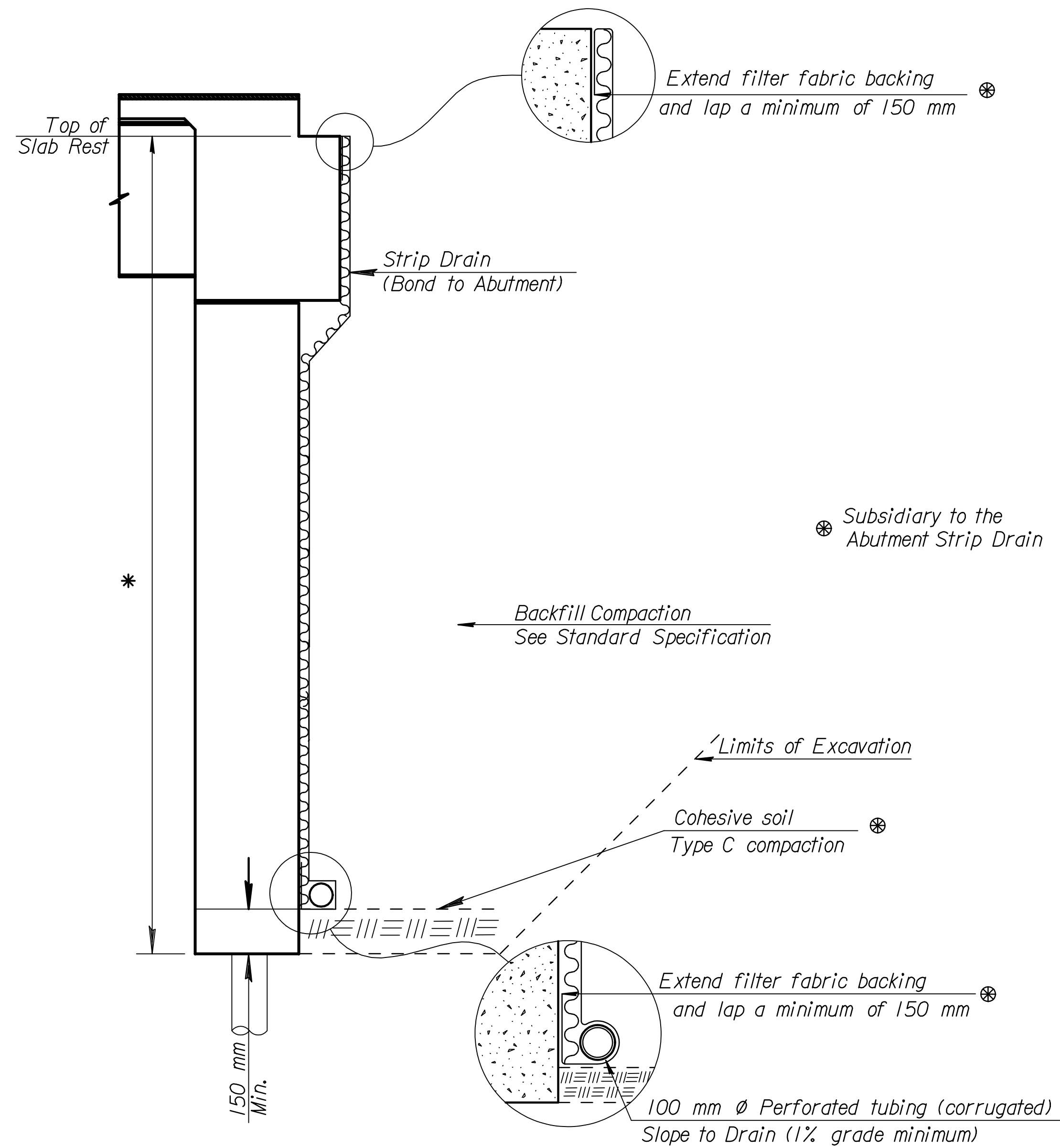
Place perforated pipe next to the strip drain. Use non-perforated pipe outside the limits of the strip drain. Enclose the perforated pipe with the extension of the filter fabric.

Compact the abutment backfill. See the KDOT Specifications.

Perforated pipe and non-perforated outlet pipe shall be corrugated polyethylene tubing conforming to the KDOT Specifications.

Fit the end section with 6 mm galvanized mesh screen to prevent the entrance of rodents. Seal the joint between the outlet pipe and the end section with a joint sealer. Place coarse aggregate at the outlet end as shown.

Grade the bottom surface of the excavated area to drain. Backfill this area with a cohesive type soil. The soil should be a silty clay or clay under the Kansas Classification System with a minimum plasticity index of 20. Compact the material to Type C standards.



SECTION A-A

* Limits of Bridge Backwall Protection System (by Bridge Contractor)

See Abutment Strip Drain Details (Sheet 582) for Plan and Elevation views.

Plotted By : gdr
 Plot File : i:\1997\97262\As-Builts\dgn\Vol.3\SH 583-KDOT STD-stripdrain.dgn Last Rev: 9-6-07 By: gdr
 Plot Date : Sept. 07

SUMMARY OF QUANTITIES (2-Abutments)	
Abutment Strip Drain	569.4 m ²
Bridge Backwall Protection System	593.8 m ²
Items Subsidiary to Strip Drain	
100 mm Ø Perforated Pipe	72.2 m
100 mm Ø Non-Perforated Pipe	44.9 m
150 mm Ø CMP	— m
Guide Post	—
Geotextile	—

3				
2				
1	7-15-98	Current release		
NO.	DATE	REVISIONS	BY	APP'D
KANSAS DEPARTMENT OF TRANSPORTATION Br. No. 54-87-20.13(496)W.B. Sta. 17+332.607 Br. No. 54-87-20.12(497)E.B. Sta. 17+332.607 ABUTMENT STRIP DRAIN Sedgwick Co.				
SHEET NO.	OF	DATE	APP'D	
DESIGNED		DETAILED	QUANTITIES	CADD
DESIGN CK.		DETAIL CK.	QUAN. CK.	CADD CK.