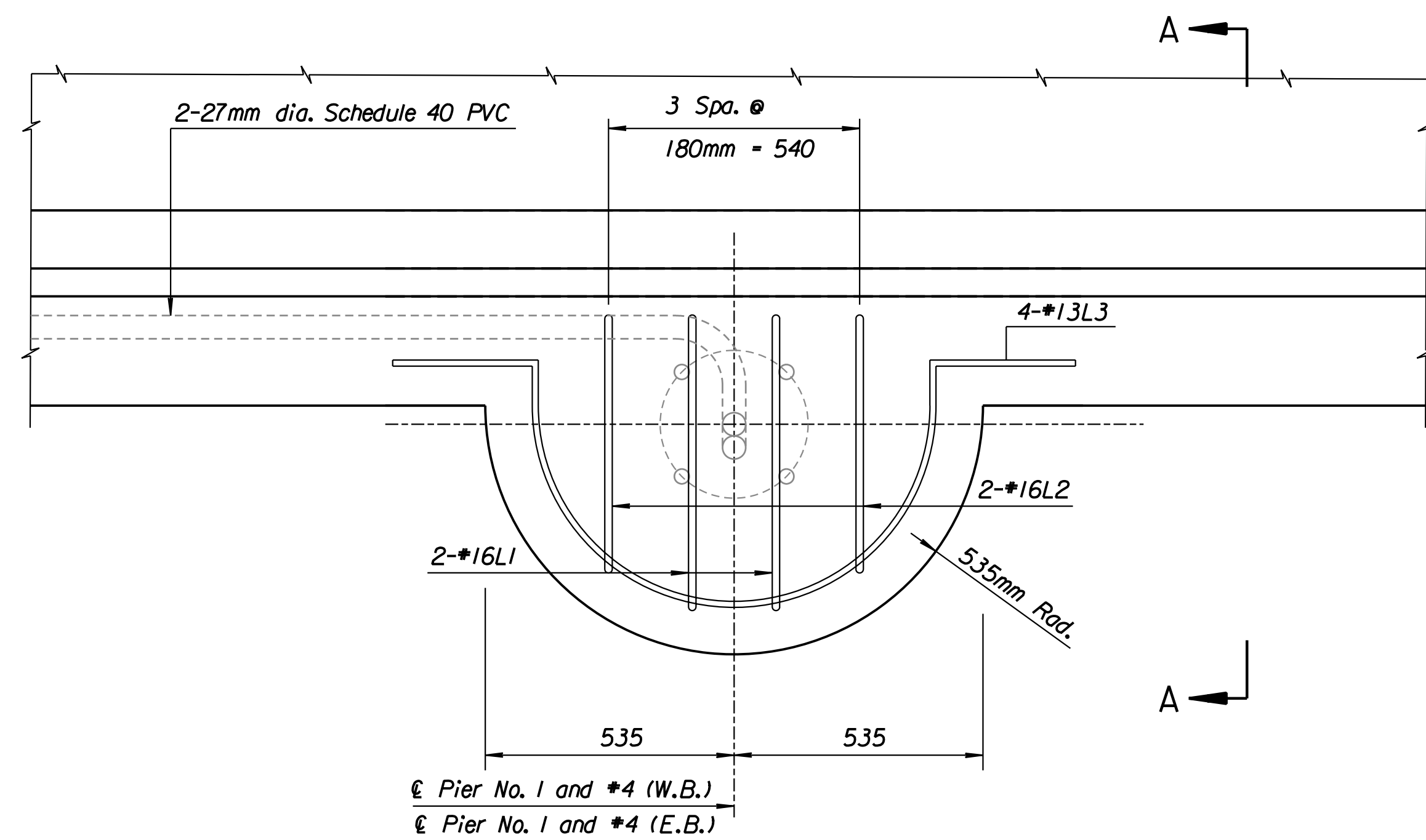


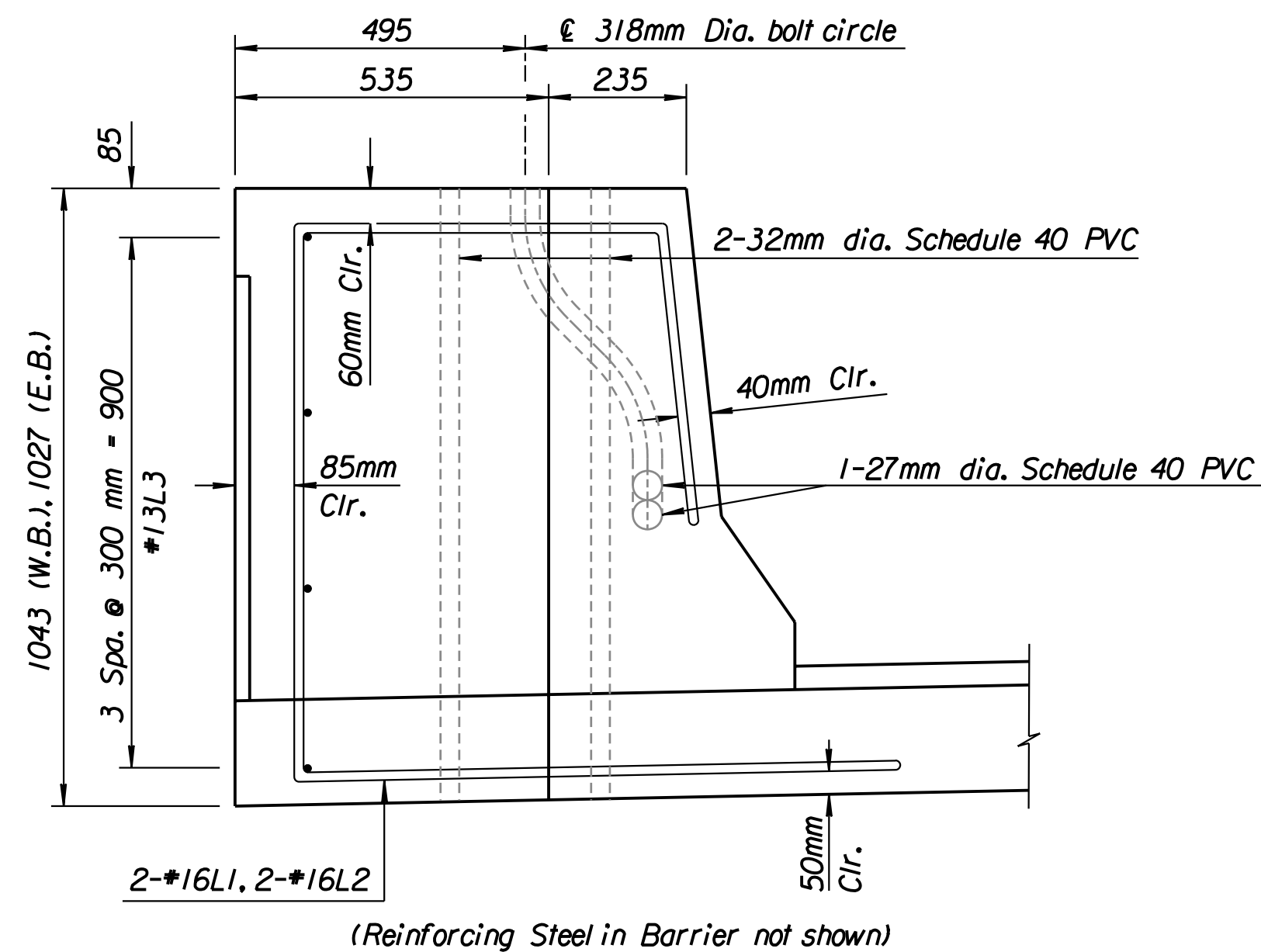
STATE	PROJECT NO.	YEAR	SHEET NO.	TOTAL SHEETS
KANSAS	54-87 K-6657-01	2002	529	1122



€ Pier No. 1 and #4 (W.B.)
 € Pier No. 1 and #4 (E.B.)

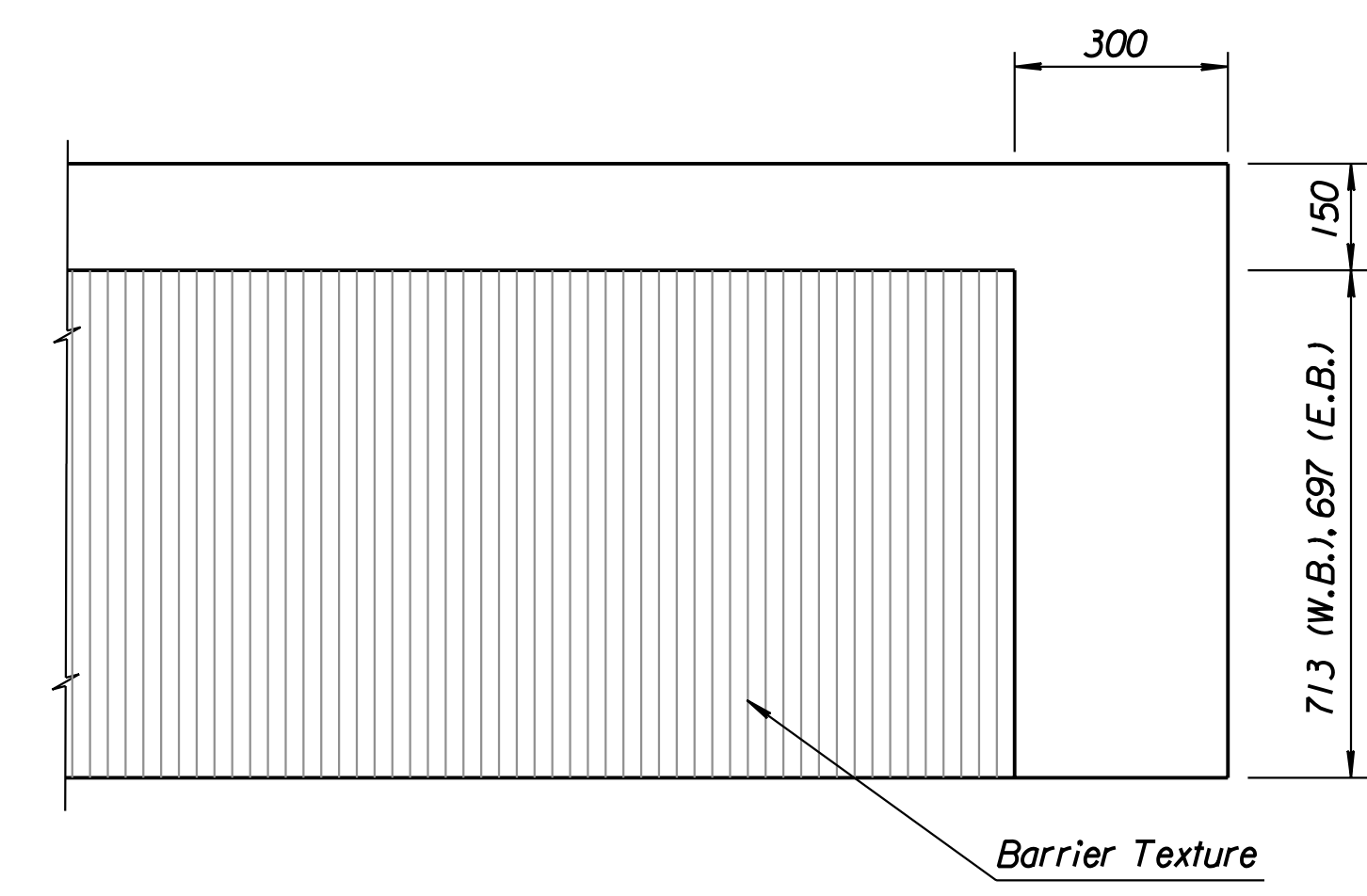
PLAN

Note: 1-27mm dia. PVC for conductor use
 1-27mm dia. PVC for ground use
 See Lighting Details for location.



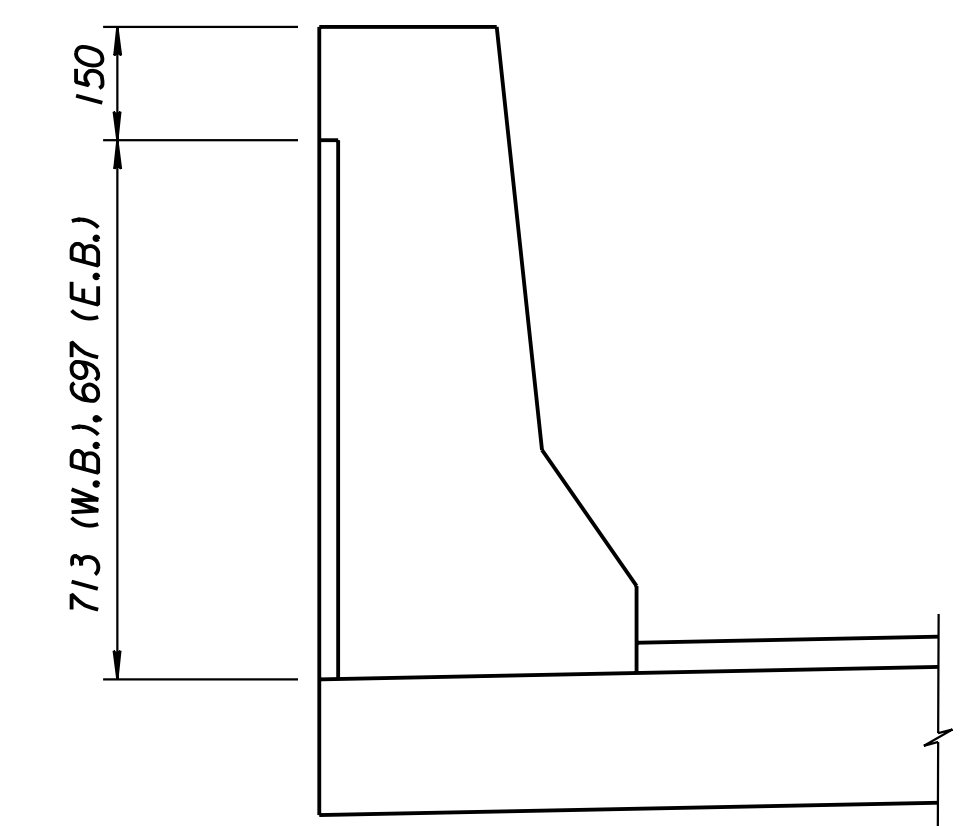
(Reinforcing Steel in Barrier not shown)

SECTION A-A



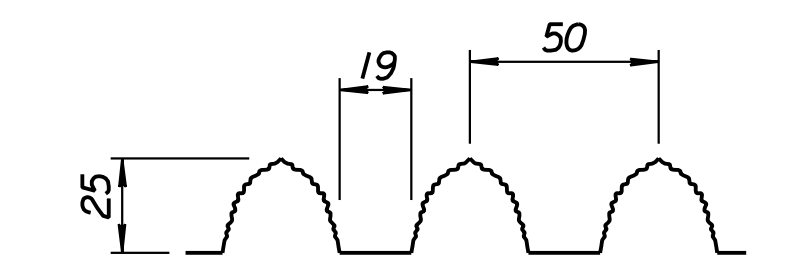
ELEVATION

Barrier Texture



SECTION

RUSTICATION DETAIL



Typical Texture
 (*109 Fractured Fin by Scott System, Inc.)

Drawn by: ras
 Plotted by: gdr
 It/1997/97/362/As-Built/dgn/s/Vol_3/Sh_529-lightsup.dgn Last Rev: 9-5-07 By: gdr

1			
No.	Revisions	By	Date
CITY OF WICHITA			
BR. NO. 54-87-19.31(494) W.B.		STA. 16+011.650	
BR. NO. 54-87-19.30 (493) E.B.		STA. 16+011.650	
MISCELLANEOUS BARRIER DETAIL			
WEST & EAST BOUND KELLOGG (US-54) OVER COWSKIN CREEK SEDGWICK COUNTY			
Professional Engineering Consultants, P.A.			
303 S. TOPEKA • WICHITA, KANSAS 67202 316-262-2691 • FAX 316-262-3003			
Designed by	RAS	Checked by	RAS
Drawn by	BJS	Date	April, 2002
		Job No.	97362

RECORD DRAWING