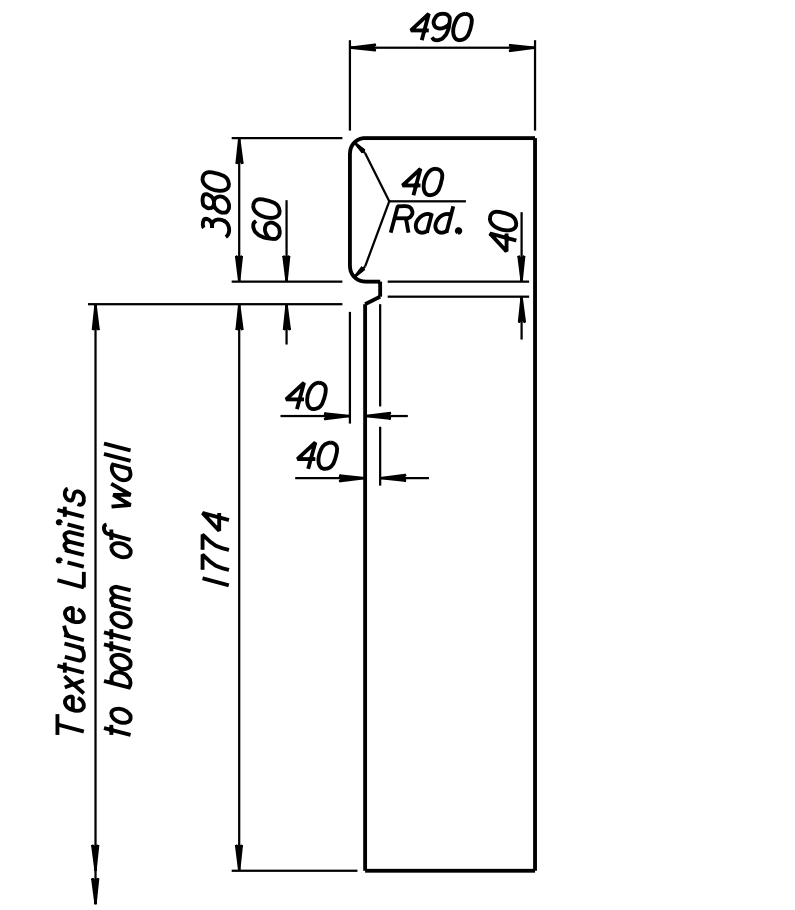
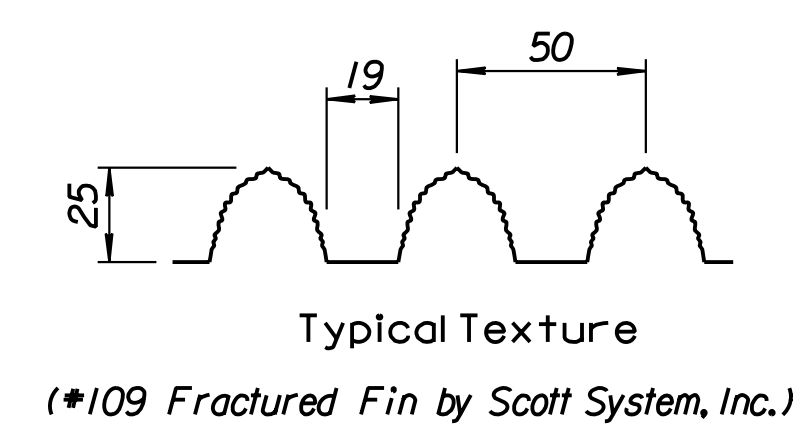
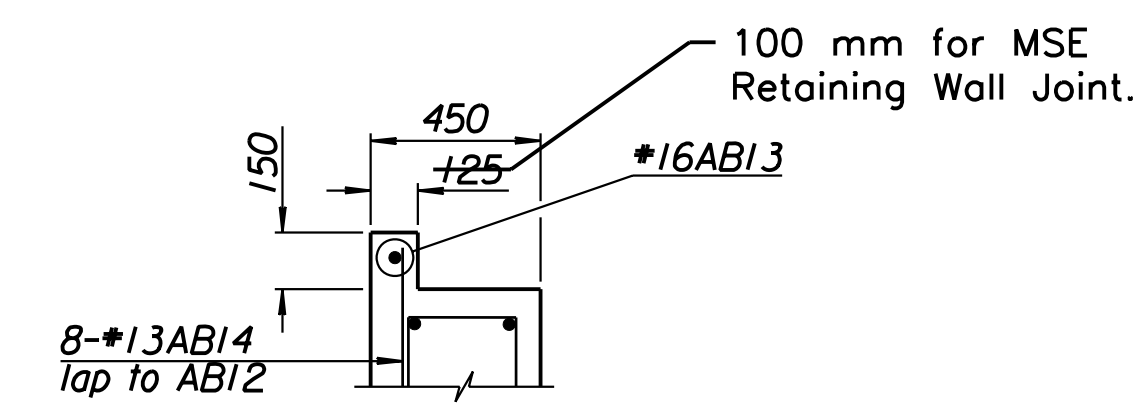


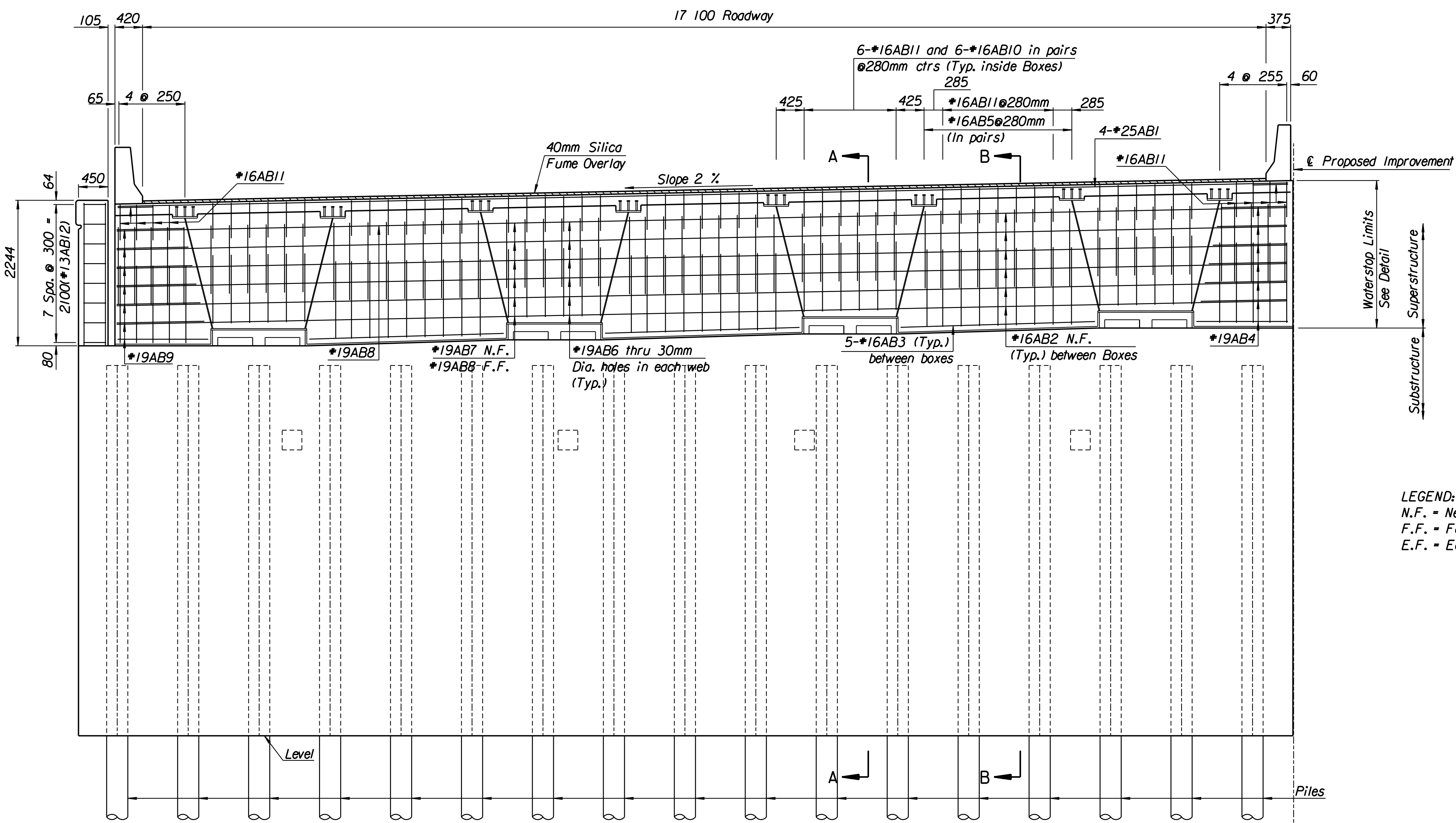
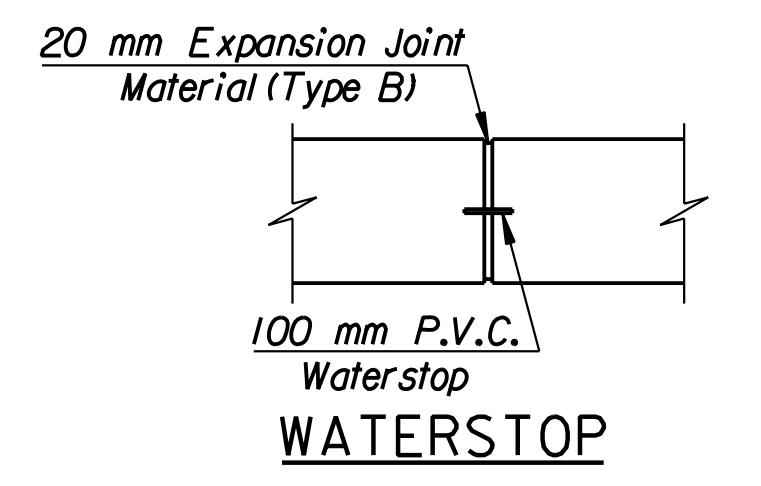
STATE	PROJECT NO.	YEAR	SHEET NO.	TOTAL SHEETS
KANSAS	54-87 K-6657-01	2002	576	1122



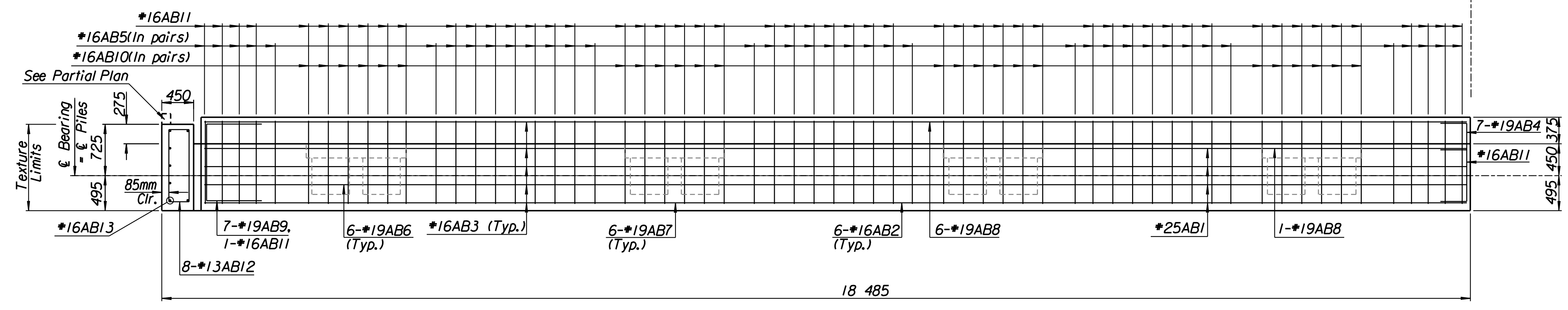
LEGEND:
 N.F. = Near Face
 F.F. = Far Face
 E.F. = Each Face



PARTIAL PLAN
 This detail complies with the Alt. No. 2.
 NOTE: For Alt. No. 1 detail see plan this sheet.
 Additional reinforcing required for Alt No. 2 bid is 1-*16AB13 and 8-*13AB14. Additional concrete and reinforcing are considered subsidiary.



ELEVATION
 Abutment No. 1 shown looking backstation
 Abutment No. 2 similar mirrored about C Brg.



PLAN

RECORD DRAWING

No.	Revisions	By	Date
CITY OF WICHITA			
BR. NO. 54-87-20.12(497) E.B.		STA. 17+332.607	
KELLOGG OVER TYLER ROAD ABUTMENT DETAILS			
SEDGWICK COUNTY			
Professional Engineering Consultants, P.A. 303 S. TOPEKA • WICHITA, KANSAS 67202 316-262-2691 • FAX 316-262-3003			
Designed by	RAS	Checked by	RAS
Drawn by	RAS	Date	April, 2002
		Job No.	97362

Scale 40
 Drawn By: ras
 Plotted By: gdr
 i:/1997/97362/As-Built/dgn's/Vol_3/Sh 576-ABUT1EB.dgn
 Last Rev: 9-6-07 By: gdr